



Chipsmall Limited consists of a professional team with an average of over 10 year of expertise in the distribution of electronic components. Based in Hongkong, we have already established firm and mutual-benefit business relationships with customers from,Europe,America and south Asia,supplying obsolete and hard-to-find components to meet their specific needs.

With the principle of “Quality Parts,Customers Priority,Honest Operation,and Considerate Service”,our business mainly focus on the distribution of electronic components. Line cards we deal with include Microchip,ALPS,ROHM,Xilinx,Pulse,ON,Everlight and Freescale. Main products comprise IC,Modules,Potentiometer,IC Socket,Relay,Connector.Our parts cover such applications as commercial,industrial, and automotives areas.

We are looking forward to setting up business relationship with you and hope to provide you with the best service and solution. Let us make a better world for our industry!



Contact us

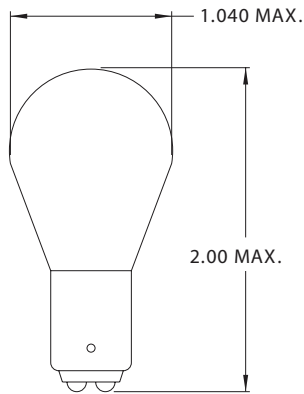
Tel: +86-755-8981 8866 Fax: +86-755-8427 6832

Email & Skype: info@chipsmall.com Web: www.chipsmall.com

Address: A1208, Overseas Decoration Building, #122 Zhenhua RD., Futian, Shenzhen, China



S-8 Double Contact Bayonet Base



Part Number	Design Voltage	Amps	MSCP	Life Hours	Filament Type
CM1584	4.0	2.0	8.8	100	C-2R
CM1612	5.4	1.86	10.0	1,000	C-6
CM1594	6.0	5.0	36.0	250	C-6
CM6	6.4	3.0	23.0	500	C-2R
CM1002	6.4	2.63	21.0	200	C-2V
	6.4	2.63	21.0	200	C-2V
CM1130	6.4	2.63	21.0	200	C-6
CM1158	6.4	2.63	21.0	200	C-6
	7.0	.75	3.0	1,000	C-6
CM1170	6.4	2.63	21.0	200	C-2V
	7.0	1.03	6.0	1,000	C-12
CM1330	6.4	2.63	21.0	200	C-6
CM1608	6.4	2.69	21.0	200	C-2V
CM1618	6.4	2.63	21.0	200	C-6
CM1493	6.5	2.75	23.0	100	C-6
CM1497	6.5	2.75	23.0	100	C-6
CM88	6.8	1.91	15.0	300	C-2R
CM1648	8.0	2.10	21.0	200	C-2R
CM8	8.0	2.20	2.0	500	C-2R
CM94	12.8	1.04	15.0	500	C-2R
CM1005	12.8	1.31	21.0	300	C-2R
	12.8	1.31	21.0	300	C-2R
CM1068	12.8	1.80	32.0	200	C-6
	14.0	5.10	4.0	2,000	C-6
CM1076	12.8	1.80	32.0	200	C-6
CM1142	12.8	1.44	21.0	500	C-6
CM1152	12.8	1.34	21.0	500	C-2R
CM1176	12.8	1.34	21.0	200	2C-6
	14.0	.59	6.0	1,000	2C-6
CM1376	12.8	1.60	21.0	1,500	C-6
	14.0	.64	6.0	2,000	C-6
CM92	13.0	.71	10.0	500	C-2R
CM306	28.0	.51	15.0	300	C-2V
CM308	28.0	.67	21.0	300	C-2V
CM1204	28.0	.71	21.0	400	C-2V
CM1244	28.0	.53	15.0	300	C-2V
CM1638	28.0	1.02	32.0	500	2C-6
CM1666	28.0	.63	21.0	300	CC-6
	28.0	.63	21.0	300	CC-6
CM1692	28.0	.61	15.0	1,000	2C-2R
CM1696	28.0	.42	10.0	500	C-2V
CM1080	30.0	.90	19.0	5,000	C-2V