



Chipsmall Limited consists of a professional team with an average of over 10 year of expertise in the distribution of electronic components. Based in Hongkong, we have already established firm and mutual-benefit business relationships with customers from,Europe,America and south Asia,supplying obsolete and hard-to-find components to meet their specific needs.

With the principle of "Quality Parts,Customers Priority,Honest Operation,and Considerate Service",our business mainly focus on the distribution of electronic components. Line cards we deal with include Microchip,ALPS,ROHM,Xilinx,Pulse,ON,Everlight and Freescale. Main products comprise IC,Modules,Potentiometer,IC Socket,Relay,Connector.Our parts cover such applications as commercial,industrial, and automotives areas.

We are looking forward to setting up business relationship with you and hope to provide you with the best service and solution. Let us make a better world for our industry!



## Contact us

Tel: +86-755-8981 8866 Fax: +86-755-8427 6832

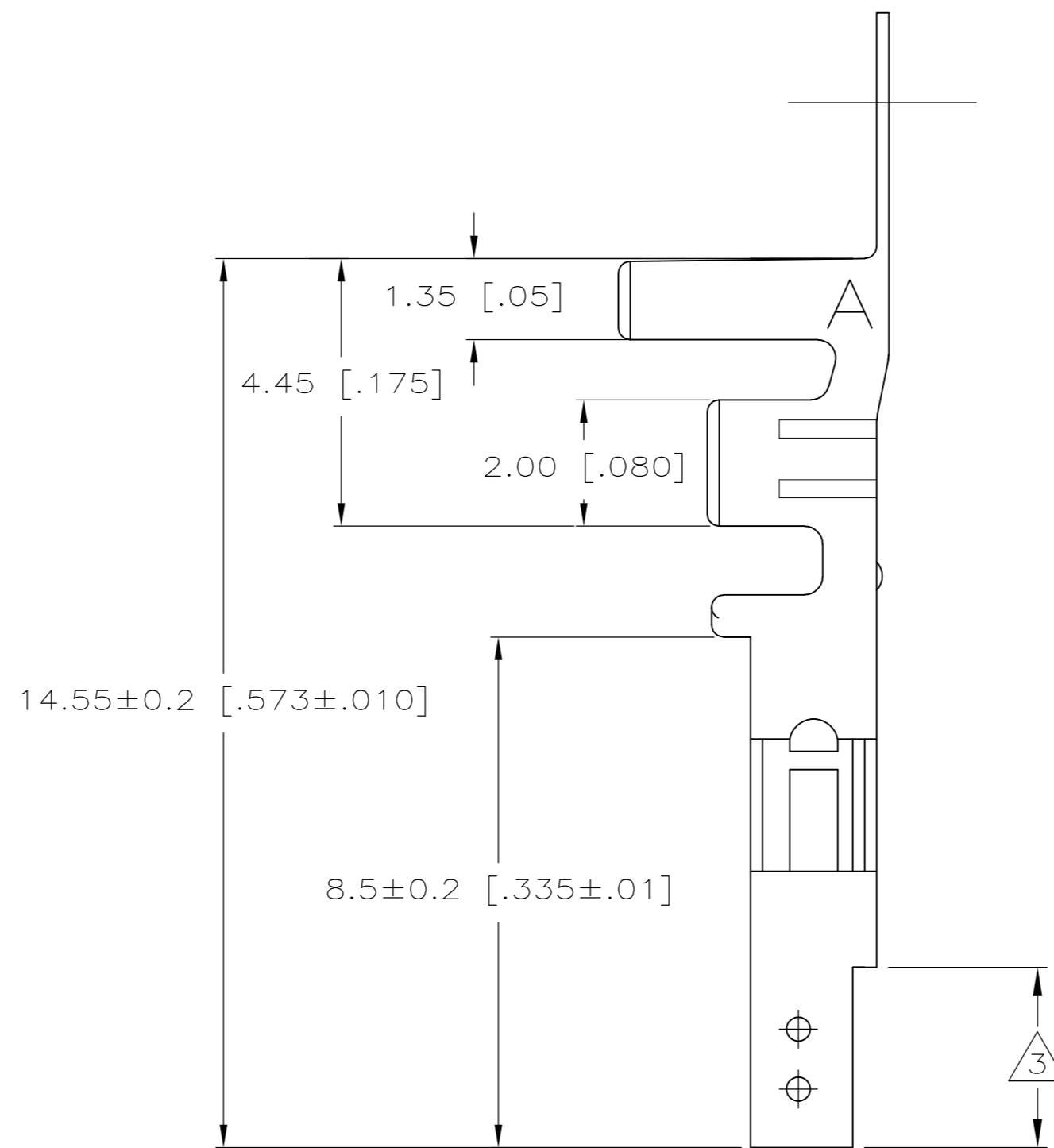
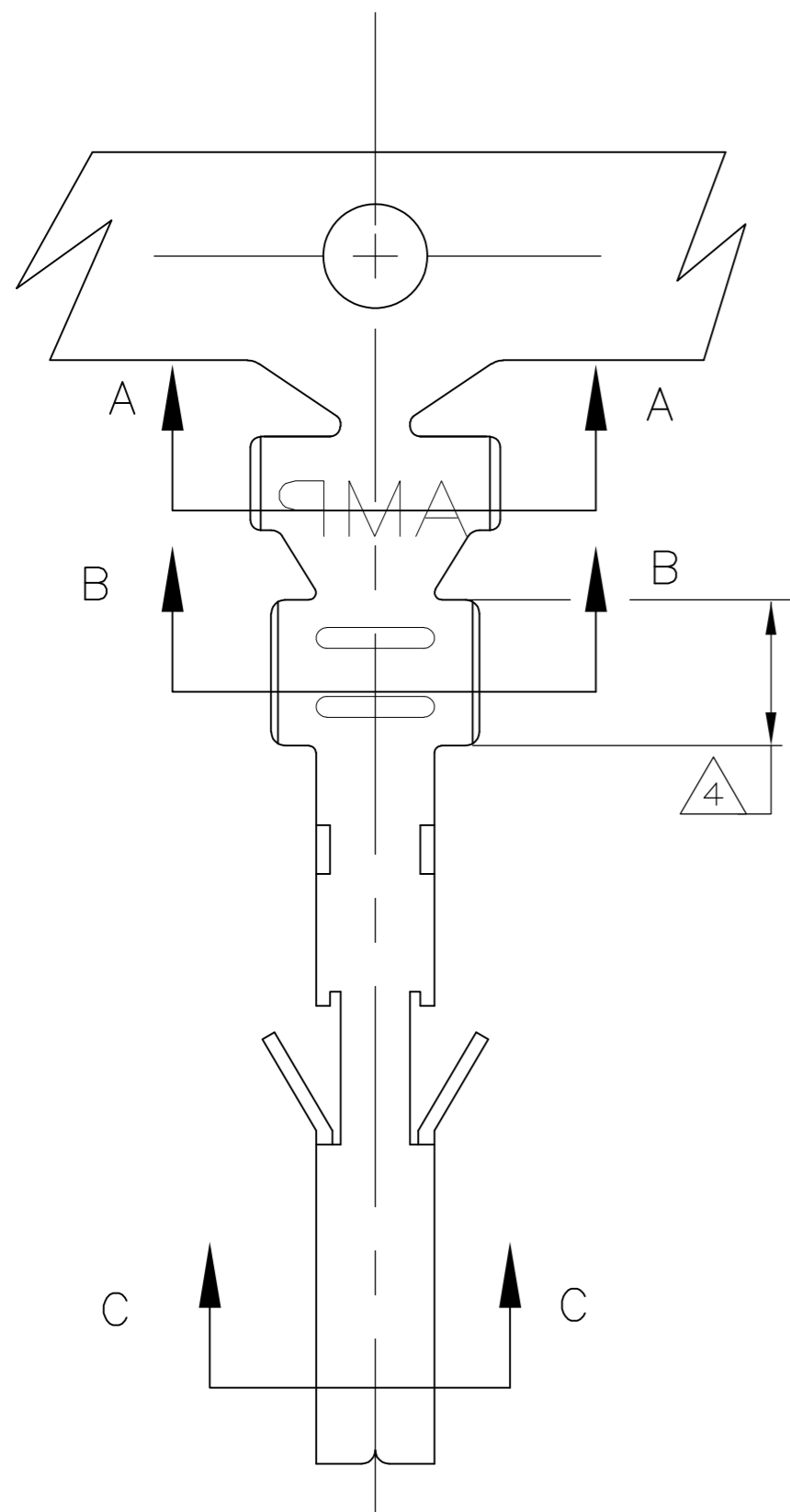
Email & Skype: info@chipsmall.com Web: www.chipsmall.com

Address: A1208, Overseas Decoration Building, #122 Zhenhua RD., Futian, Shenzhen, China

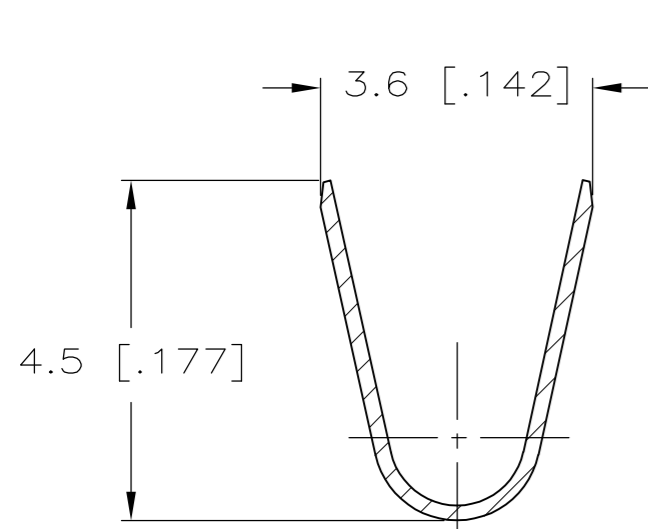


THIS DRAWING IS UNPUBLISHED. RELEASED FOR PUBLICATION  
 © COPYRIGHT BY TYCO ELECTRONICS CORPORATION. ALL RIGHTS RESERVED.

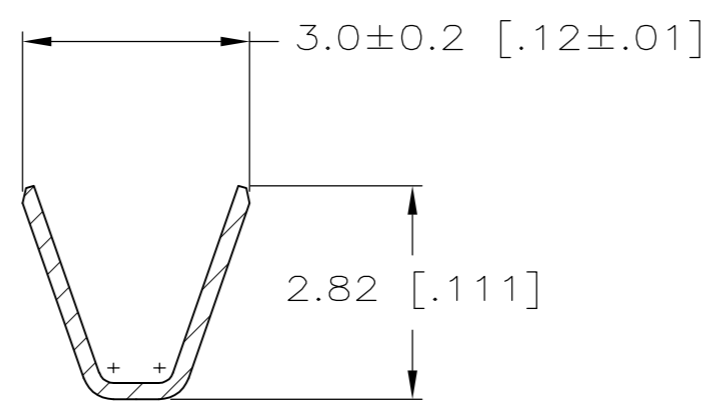
LOC		DIST		REVISIONS			
P	LTR	DESCRIPTION		DATE	DWN	APVD	
		C2		REVISED PER ECR-10-013247	25JUN10	HMR	KR



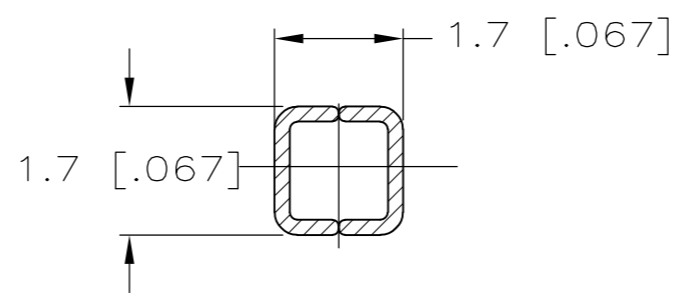
- 1 WIRE RANGE: 1.31mm<sup>2</sup> (16 AWG).
- 2 INSULATION RANGE 3.10 [.122] MAXIMUM DIAMETER
- 3 FINISH: 0.76μm MINIMUM GOLD OVER 1.27μm MINIMUM NICKEL REQUIRED ON INNER SURFACE, PERMITTED ON OUTER SURFACE.
- 4 FINISH: 2.54μm MINIMUM TIN ON ALL SURFACES IN THIS AREA.
- 5 FINISH: 2.54μm MINIMUM PRE-TIN ALL OVER.



SECTION A-A



SECTION B-B



SECTION C-C

GOLD 3 4	PHOS. BRZ.	1586055-4
PRE-TIN 5	PHOS. BRZ.	1586055-3
GOLD 3 4	BRASS	1586055-2
PRE-TIN 5	BRASS	1586055-1
FINISH:	MATERIAL:	PART NO.

# METRIC

THIS DRAWING IS A CONTROLLED DOCUMENT.		DWN S. HOOVER 15-NOV-2004	Tyco Electronics Corporation Harrisburg, PA 17105-3608	
DIMENSIONS: mm [INCHES]		CHK D. COLEY 15-NOV-2004	NAME	
TOLERANCES UNLESS OTHERWISE SPECIFIED:		APVD D. COLEY 15-NOV-2004	TERMINAL, SOCKET VAL-U-LOK(TM)	
0 PLC ±		PRODUCT SPEC	SIZE A2	CAGE CODE 00779
1 PLC ± 0.15 [.006]		APPLICATION SPEC	DRAWING NO C=1586055	RESTRICTED TO -
2 PLC ± 0.10 [.004]		WEIGHT	SCALE 10:1	SHEET 1 of 1
3 PLC ± 0.05 [.002]		CUSTOMER DRAWING	REV C2	
4 PLC ±				
ANGLES ±				
FINISH				