



Chipsmall Limited consists of a professional team with an average of over 10 year of expertise in the distribution of electronic components. Based in Hongkong, we have already established firm and mutual-benefit business relationships with customers from,Europe,America and south Asia,supplying obsolete and hard-to-find components to meet their specific needs.

With the principle of “Quality Parts,Customers Priority,Honest Operation,and Considerate Service”,our business mainly focus on the distribution of electronic components. Line cards we deal with include Microchip,ALPS,ROHM,Xilinx,Pulse,ON,Everlight and Freescale. Main products comprise IC,Modules,Potentiometer,IC Socket,Relay,Connector.Our parts cover such applications as commercial,industrial, and automotives areas.

We are looking forward to setting up business relationship with you and hope to provide you with the best service and solution. Let us make a better world for our industry!



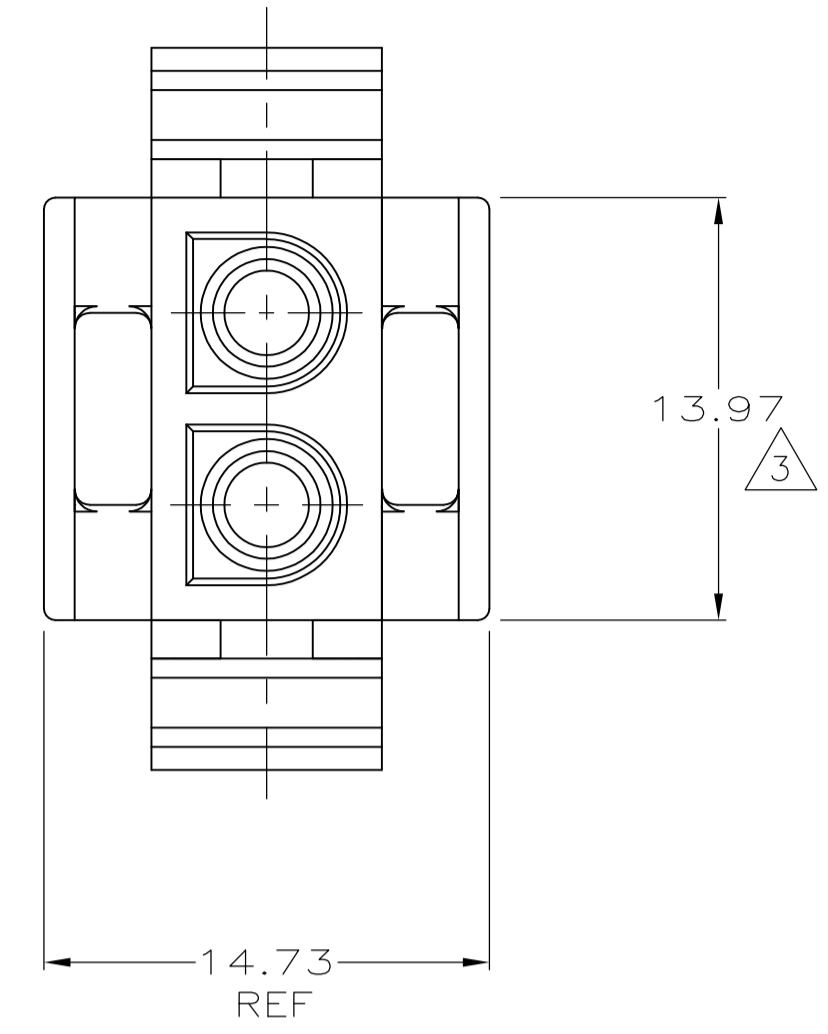
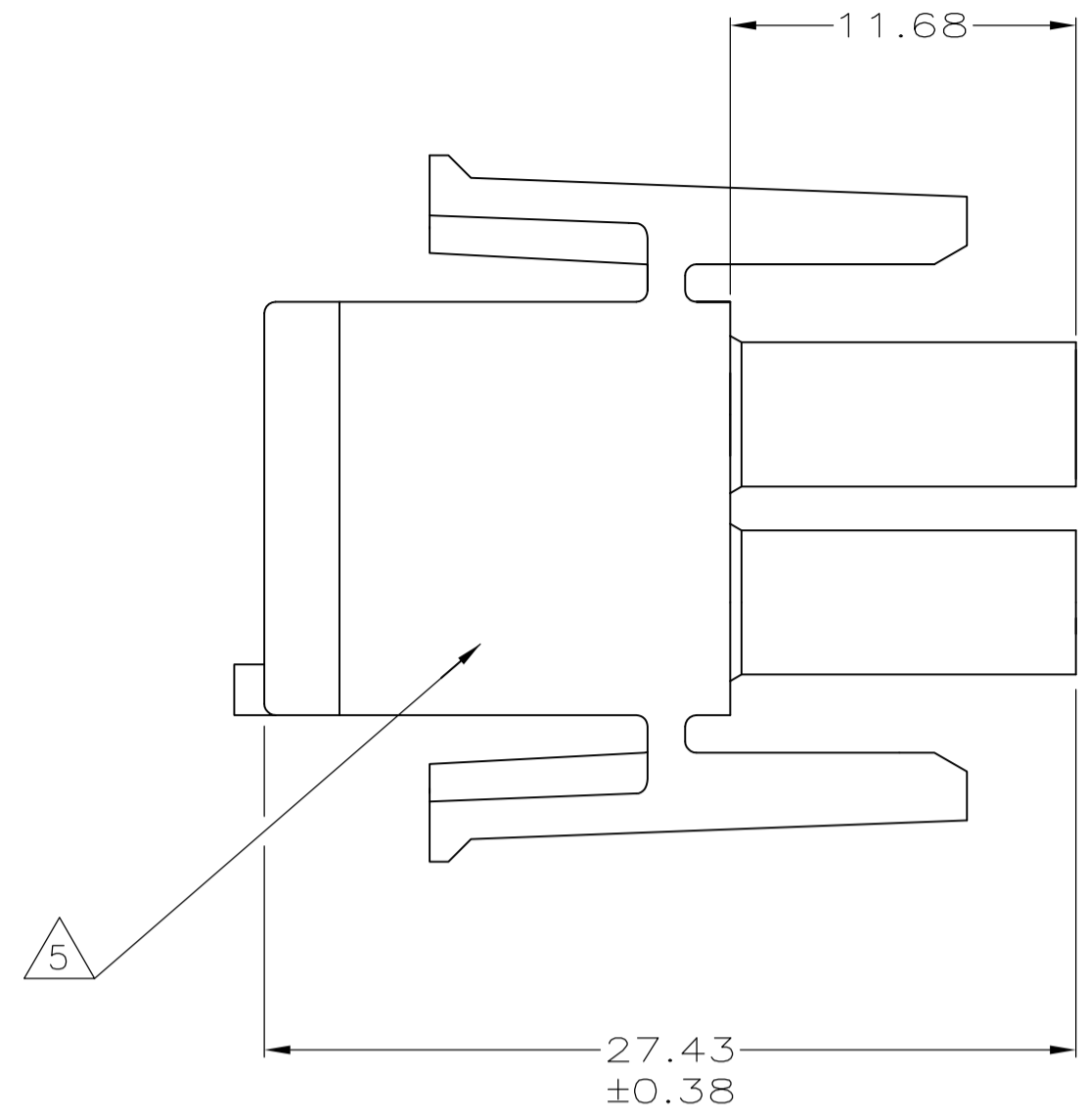
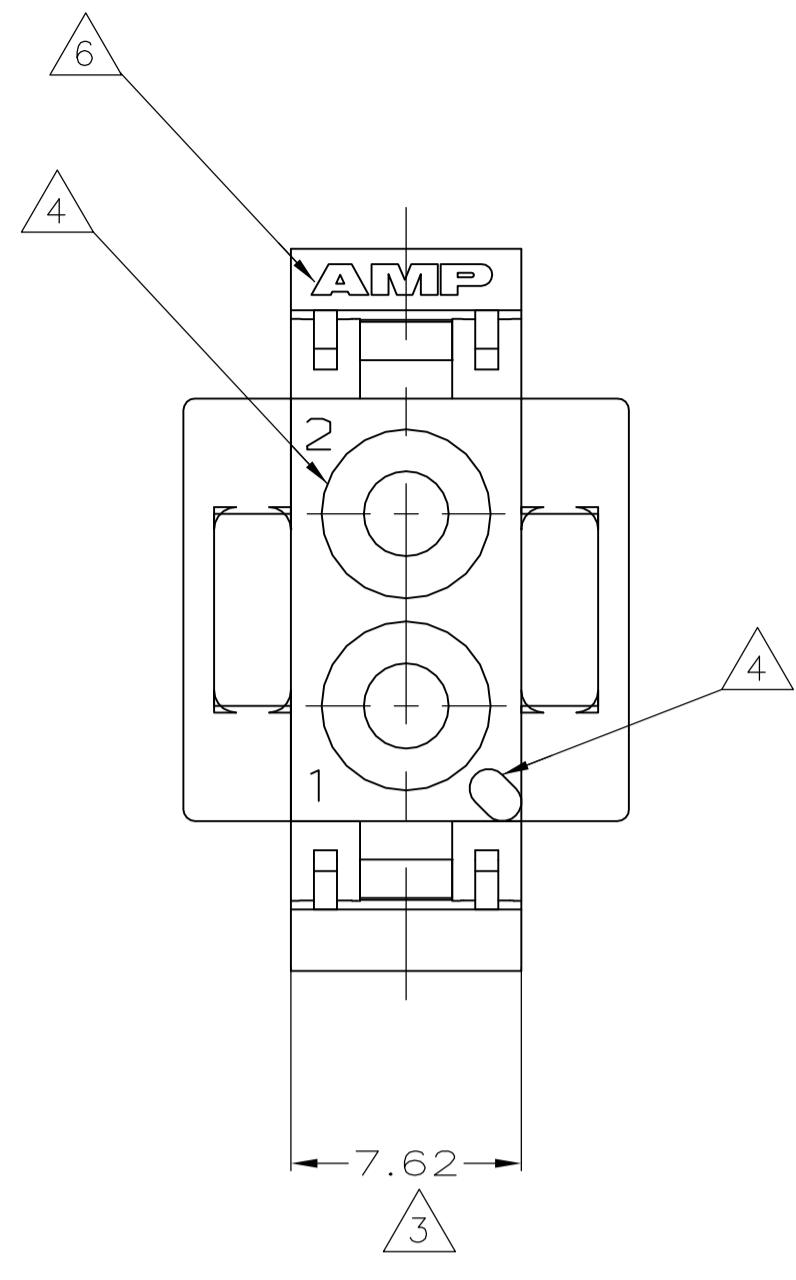
Contact us

Tel: +86-755-8981 8866 Fax: +86-755-8427 6832

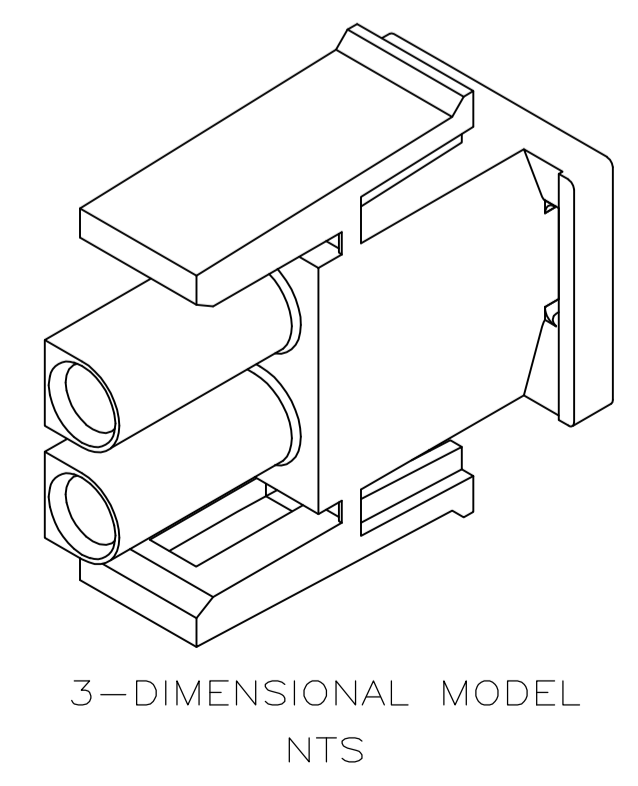
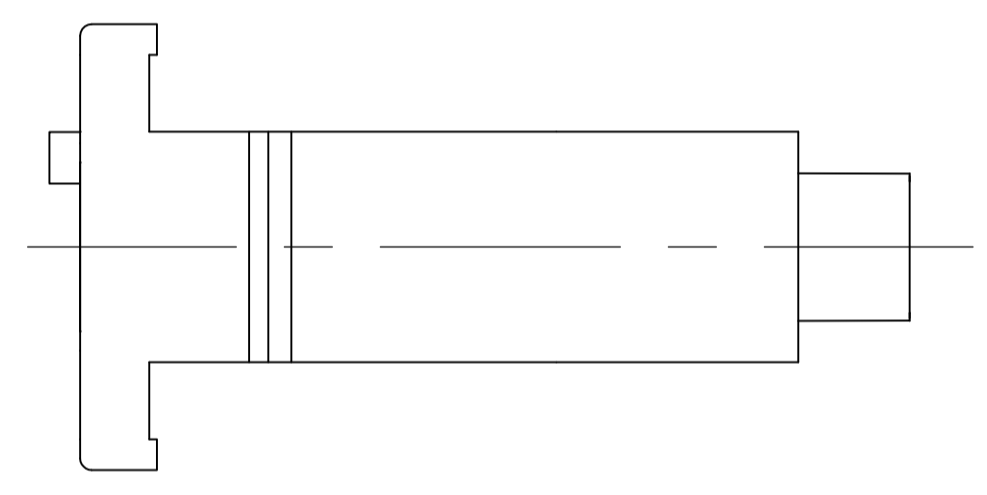
Email & Skype: info@chipsmall.com Web: www.chipsmall.com

Address: A1208, Overseas Decoration Building, #122 Zhenhua RD., Futian, Shenzhen, China





- 1 MATES WITH APPROPRIATE UNIVERSAL MATE-N-LOK™ CAP OR HEADER.
- 2 SMALL NICKS ARE PERMITTED ON THE CIRCUIT TOWERS WHICH COULD INCREASE THE INITIAL HOUSING MATING FORCE BY UP TO 4.4 NEWTONS [1.0 LBS]. NO INDIVIDUAL NICKED TOWER SHALL INCREASE THIS FORCE BY OVER 2.2 NEWTONS [.5 LBS].
- 3 DIMENSION INDICATED IS AS MOLDED. ADDITIONAL GROWTH DUE TO SUBSEQUENT MOISTURE ABSORPTION MAY OCCUR.
- 4 POSITION #1 LOCATOR FEATURE MAY BE ROUND OR OBLONG (AS DEPICTED).
- 5 UNDERWRITERS RECOGNIZED COMPONENT LOGO AND CSA CERTIFICATION LOGO TO BE LOCATED ONCE ON ANY SIDE OF HOUSING.
- 6 SHOWN FOR CONVENIENCE, LOGO MAY BE ON ANY EXTERNAL SURFACE.



27.43	1.080
14.73	.580
13.97	.550
11.68	.460
7.62	.300
0.38	.015
0.13	.005
MM	IN

CONVERSION TABLE

THIS DRAWING IS A CONTROLLED DOCUMENT.		DWG	K. WHITAKER	03JUNE2005	NATURAL COLOR		1586702-1 PART NUMBER	
DIMENSIONS: mm		CHK	S. RIDGILL	03JUNE2005	APPROVED		S. RIDGILL 03JUNE2005	
TOLERANCES UNLESS OTHERWISE SPECIFIED:		NAME		PRODUCT SPEC		PLUG, 2 CIRCUIT, SPECIAL, UNIVERSAL MATE-N-LOK(TM)		
0. PLC ± -		APPLICATION SPEC		SIZE		CAGE CODE		DRAWING NO
1. PLC ± -		RESTRICTED TO		A1		00779		1586702
2. PLC ± 0.13		CUSTOMER DRAWING		SCALE		SHEET		1 OF 1
3. PLC ± -		SCALE		4:1		SHEET		1 OF 1
4. PLC ± -		SCALE		4:1		SHEET		1 OF 1
ANGLES ± # 0°30'		SCALE		4:1		SHEET		1 OF 1
MATERIAL NYLON, UL94V-2		FINISH -		WEIGHT -		SCALE		4:1