



Chipsmall Limited consists of a professional team with an average of over 10 year of expertise in the distribution of electronic components. Based in Hongkong, we have already established firm and mutual-benefit business relationships with customers from,Europe,America and south Asia,supplying obsolete and hard-to-find components to meet their specific needs.

With the principle of “Quality Parts,Customers Priority,Honest Operation,and Considerate Service”,our business mainly focus on the distribution of electronic components. Line cards we deal with include Microchip,ALPS,ROHM,Xilinx,Pulse,ON,Everlight and Freescale. Main products comprise IC,Modules,Potentiometer,IC Socket,Relay,Connector.Our parts cover such applications as commercial,industrial, and automotives areas.

We are looking forward to setting up business relationship with you and hope to provide you with the best service and solution. Let us make a better world for our industry!



## Contact us

Tel: +86-755-8981 8866 Fax: +86-755-8427 6832

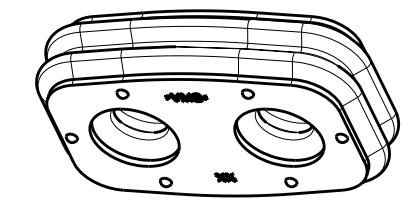
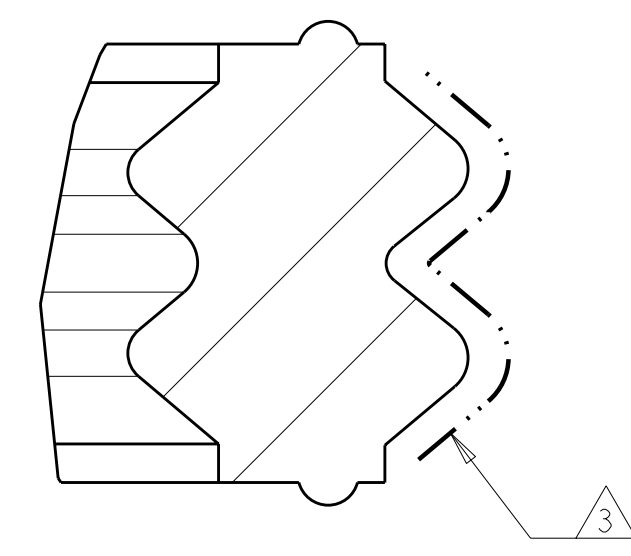
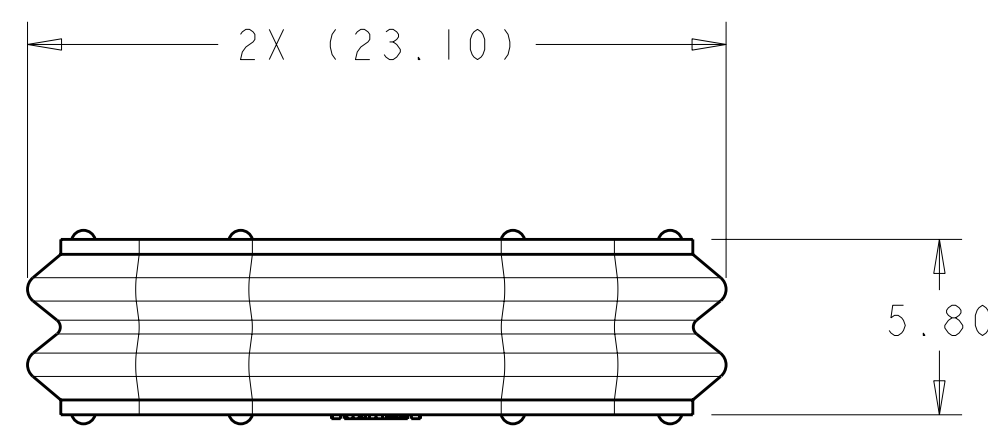
Email & Skype: info@chipsmall.com Web: www.chipsmall.com

Address: A1208, Overseas Decoration Building, #122 Zhenhua RD., Futian, Shenzhen, China



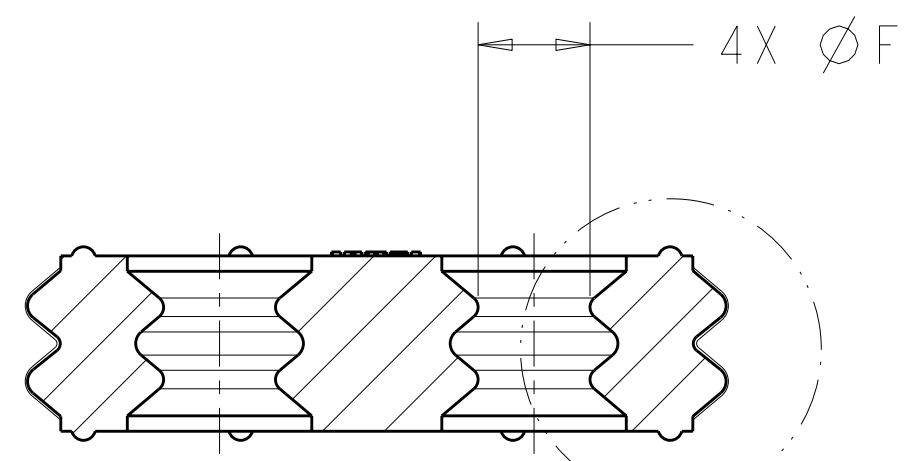
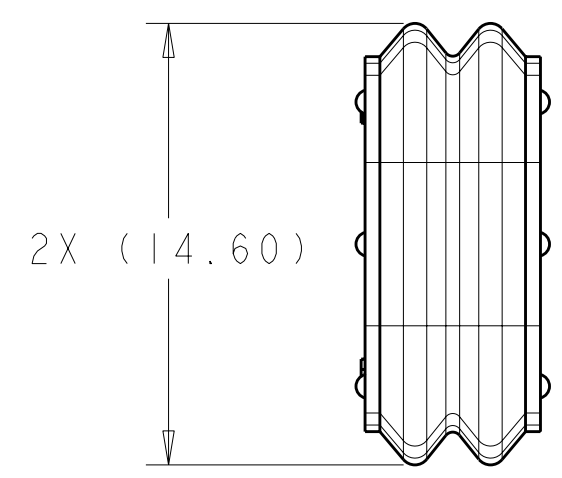
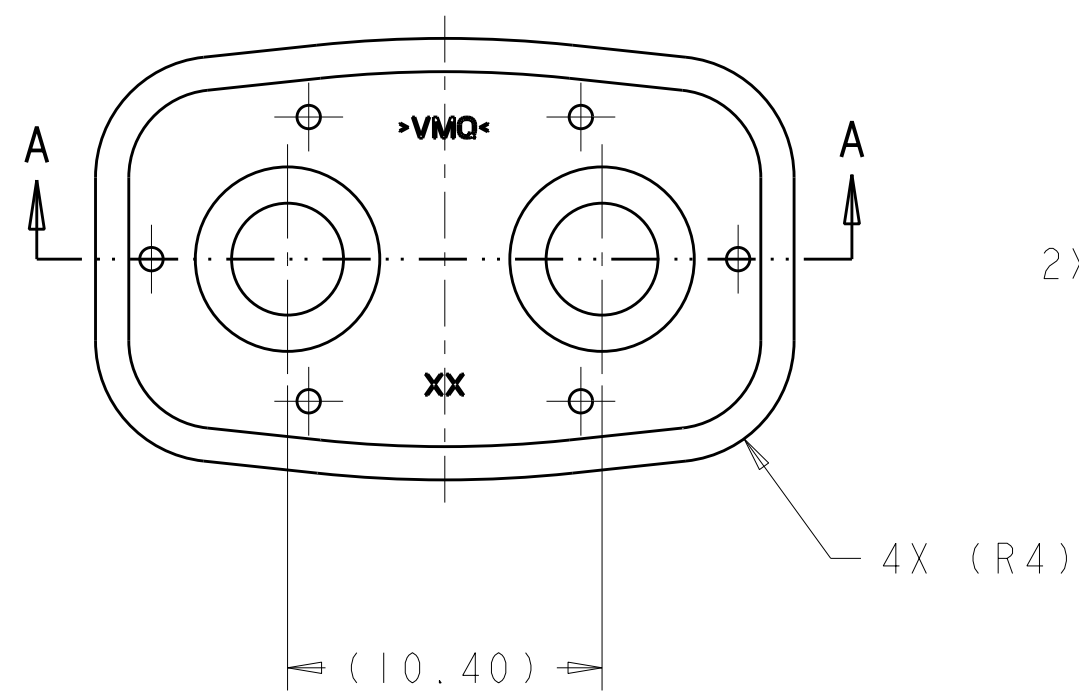
THIS DRAWING IS UNPUBLISHED. RELEASED FOR PUBLICATION 20  
 © COPYRIGHT 20 BY TYCO ELECTRONICS CORPORATION ALL RIGHTS RESERVED.

LOC	DIST	REVISIONS			
P	LTR	DESCRIPTION	DATE	DWN	APVD
HV	00	B1	ECO-11-006038	23MAR2011	DS AT



SCALE 2:1

DETAIL B  
SCALE 10:1



SEE DETAIL B

SECTION A-A

- 1. NO DAMAGES, SINK MARKS, CAVITIES OR FLOW LINES PERMITTED
- 2 MATERIAL:  
30 DUROMETER INHERENTLY LUBRICATED SILICONE  
COLOR: SEE PART NO. TABLE
- 3 AROUND NO FLASH PERMITTED
- 4 PRELIMINARY PART—NOT RELEASED FOR PRODUCTION

5.48	6.10	4.90	GREEN	CABLE SEAL, SIZE C	1587826-3
4.89	5.48	4.40	RUST RED	CABLE SEAL, SIZE B	1587826-2
4.29	4.89	3.60	ROYAL BLUE	CABLE SEAL, SIZE A	1587826-1
MIN	MAX	F	COLOR	DESCRIPTION	PART NO
WIRE O.D.					

THIS DRAWING IS A CONTROLLED DOCUMENT.		DWN D. SIMPSON 05JUN2009	<b>STE</b> TE Connectivity	
		CHK A TYLER 05JUN2009		
DIMENSIONS: mm		APVD -	NAME CABLE SEAL, HVA280-2PI	
TOLERANCES UNLESS OTHERWISE SPECIFIED: 0 PLC ± 1 PLC ±0.2 2 PLC ±0.16 3 PLC ±0.100 4 PLC ±0.0001 ANGLES ± FINISH		PRODUCT SPEC 108-2394	SIZE A200779	
MATERIAL		APPLICATION SPEC 114-13259	DRAWING NO C-1587826	
2 -		WEIGHT -	RESTRICTED TO -	
3 -		CUSTOMER DRAWING		SCALE 4:1 SHEET 1 OF 1 REV B1