



Chipsmall Limited consists of a professional team with an average of over 10 year of expertise in the distribution of electronic components. Based in Hongkong, we have already established firm and mutual-benefit business relationships with customers from,Europe,America and south Asia,supplying obsolete and hard-to-find components to meet their specific needs.

With the principle of “Quality Parts,Customers Priority,Honest Operation,and Considerate Service”,our business mainly focus on the distribution of electronic components. Line cards we deal with include Microchip,ALPS,ROHM,Xilinx,Pulse,ON,Everlight and Freescale. Main products comprise IC,Modules,Potentiometer,IC Socket,Relay,Connector.Our parts cover such applications as commercial,industrial, and automotives areas.

We are looking forward to setting up business relationship with you and hope to provide you with the best service and solution. Let us make a better world for our industry!



Contact us

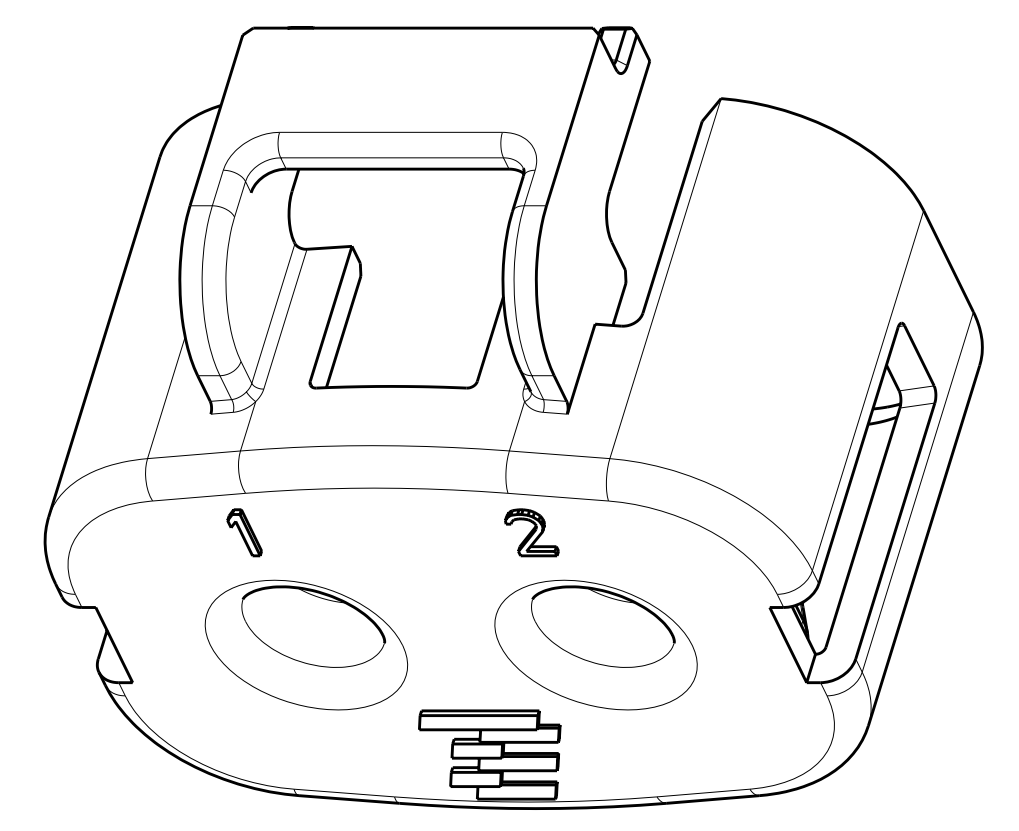
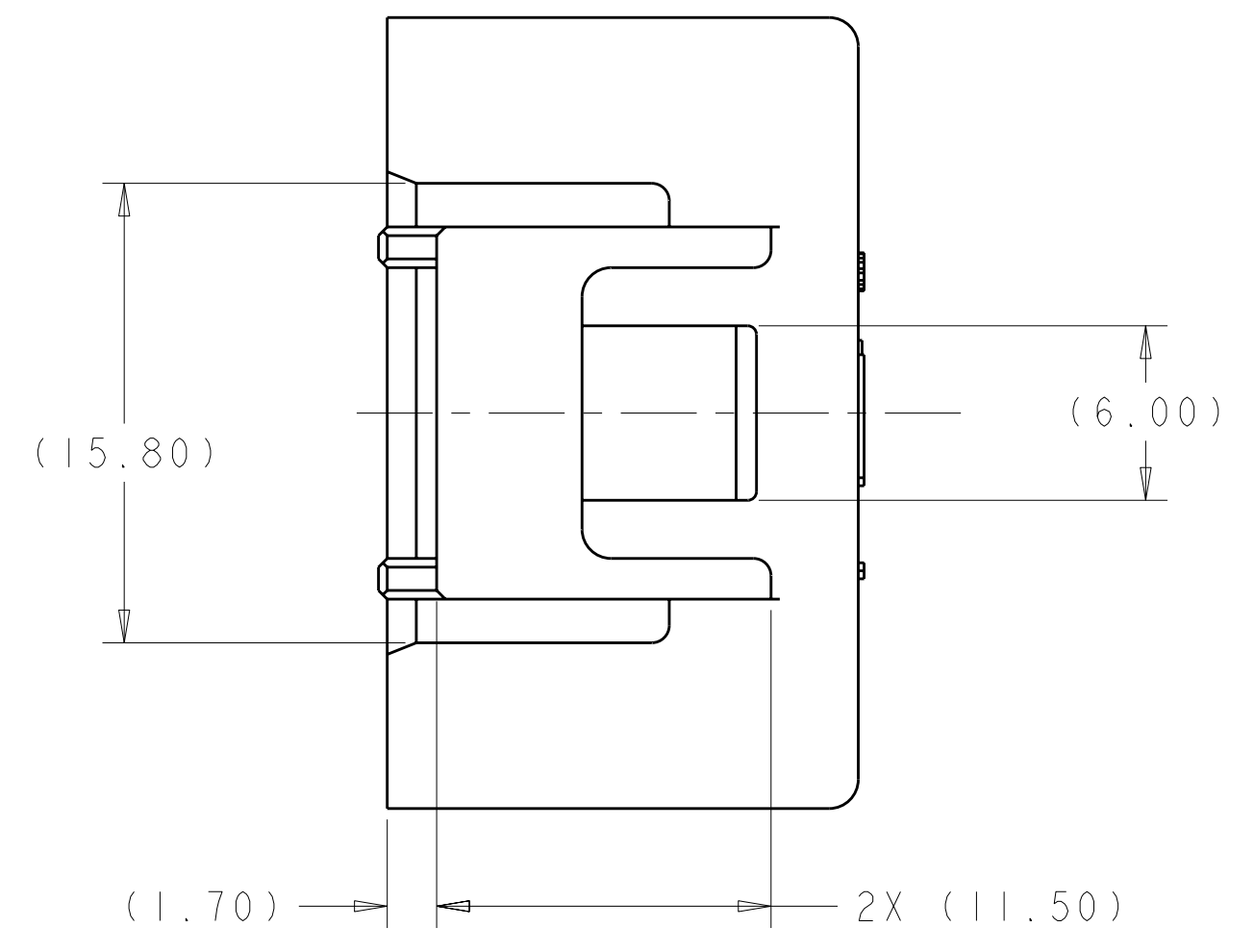
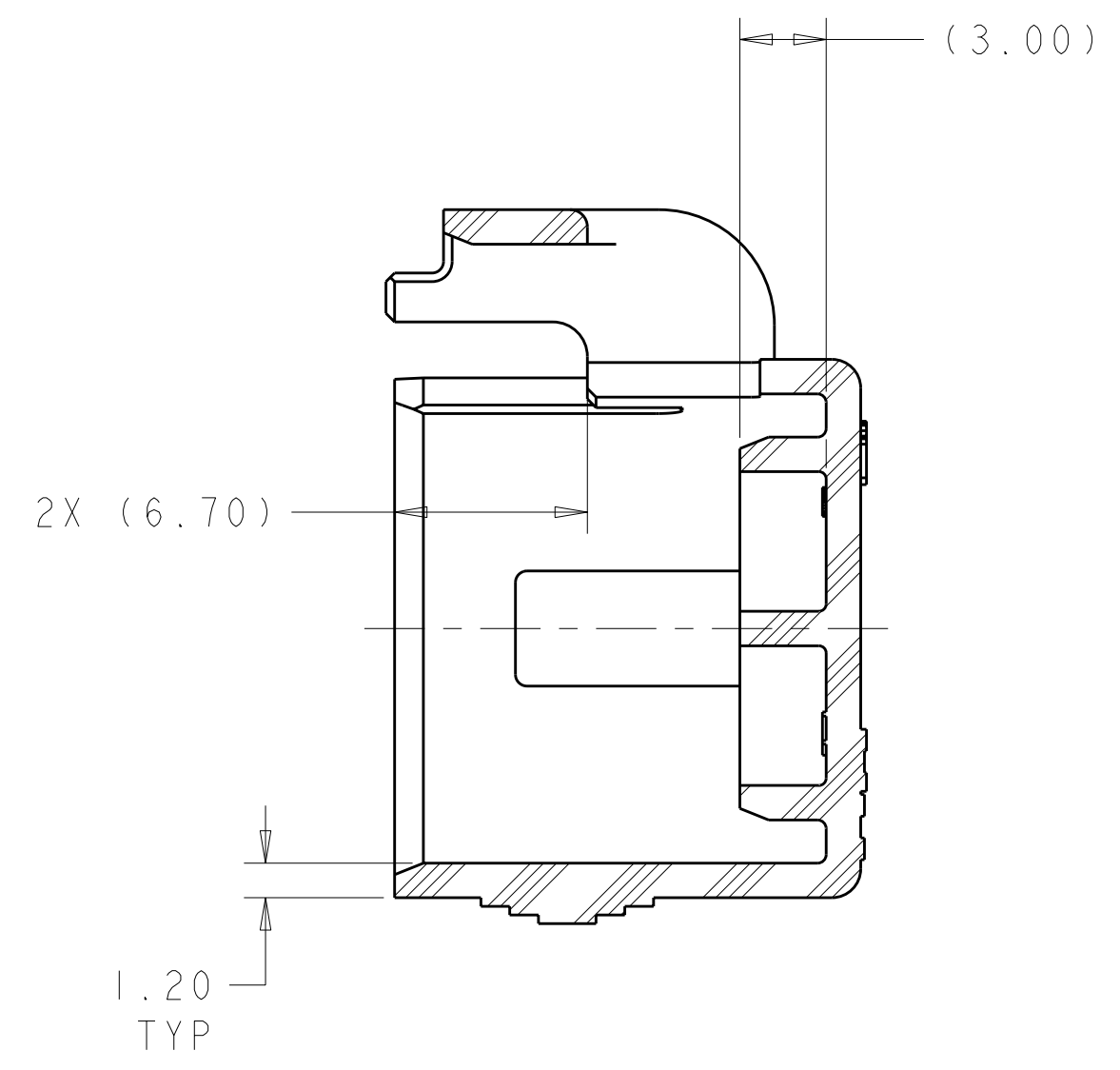
Tel: +86-755-8981 8866 Fax: +86-755-8427 6832

Email & Skype: info@chipsmall.com Web: www.chipsmall.com

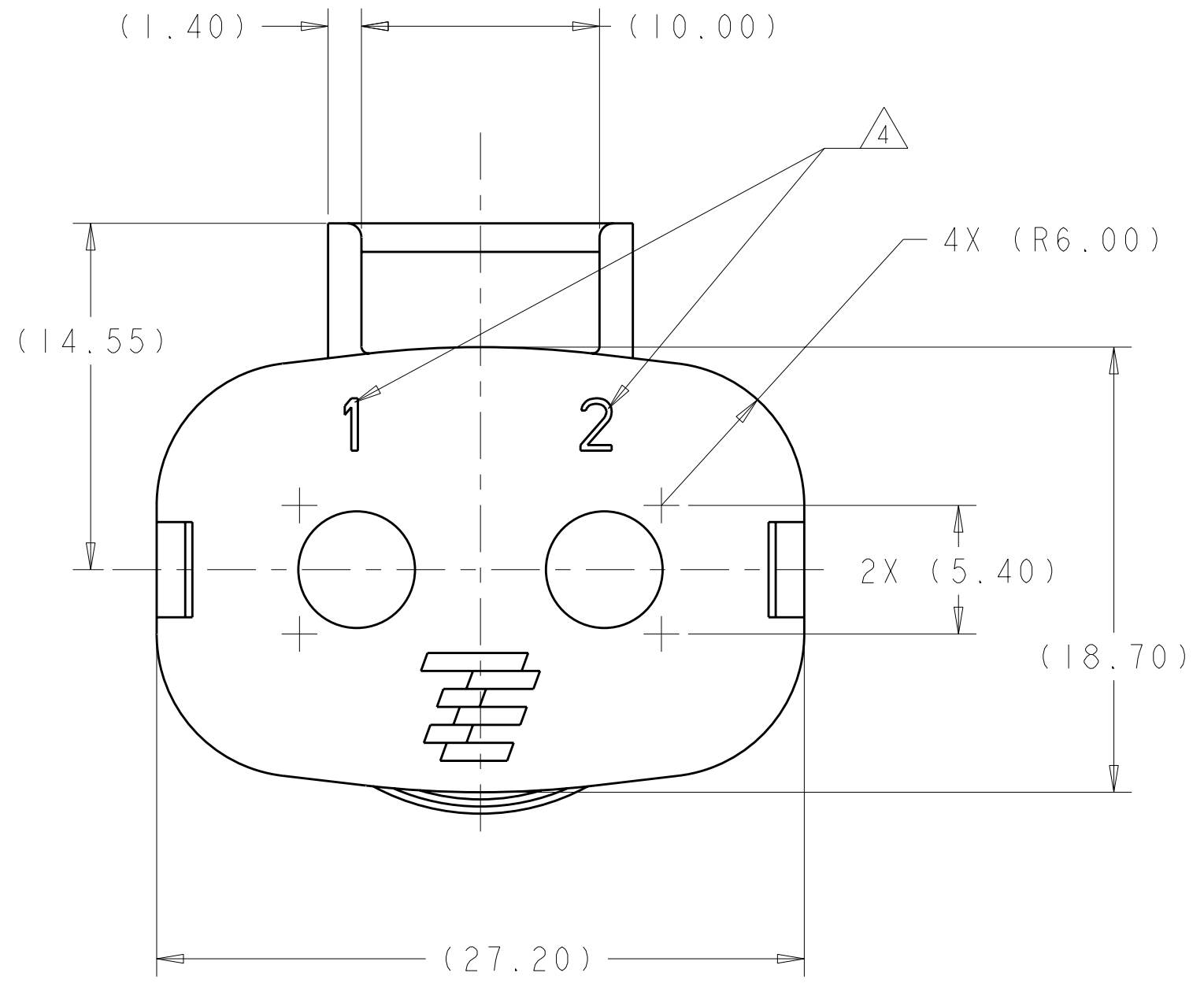
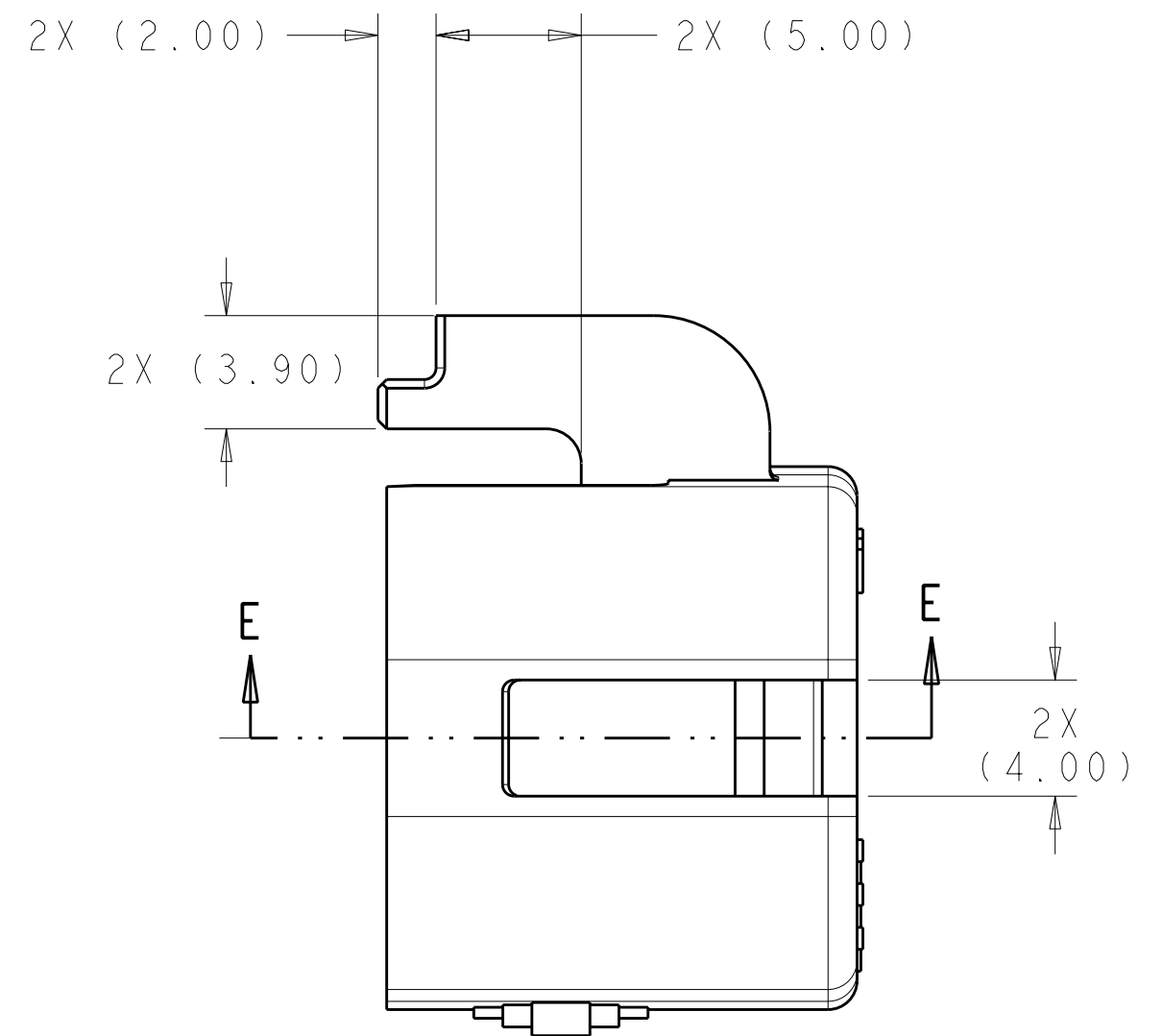
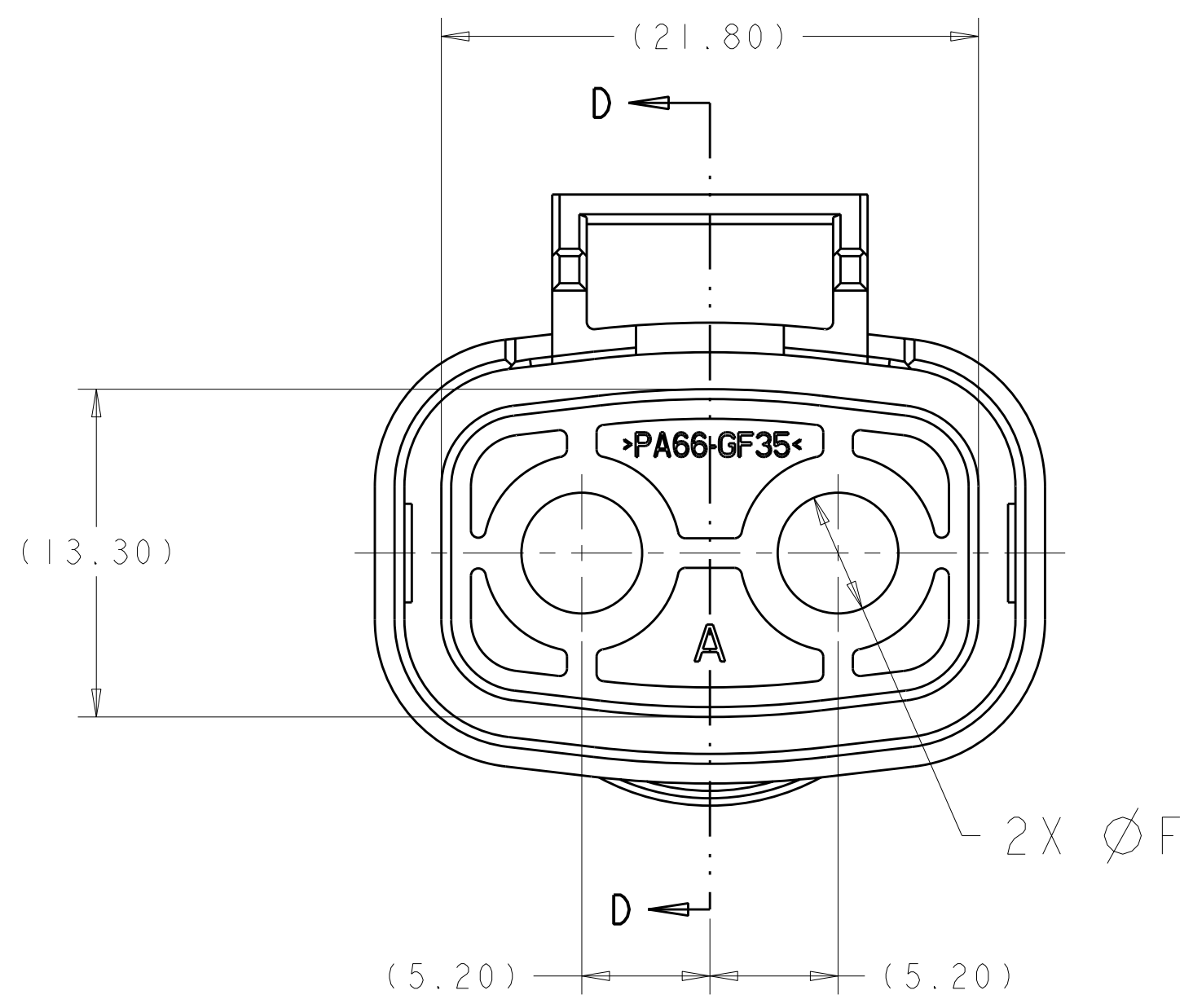
Address: A1208, Overseas Decoration Building, #122 Zhenhua RD., Futian, Shenzhen, China



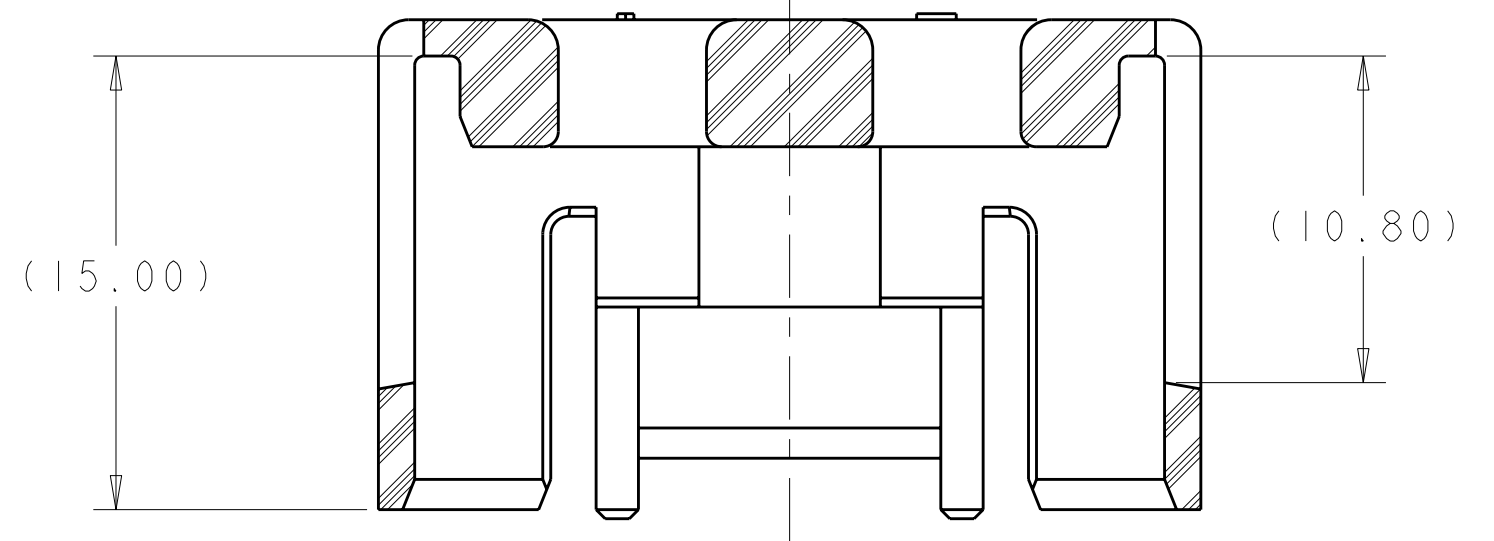
LOC	DIST	REVISIONS			
		REV	DATE	BY	APPD
HV	00	B1	ECO-11-006038	23MAR2011	DS AT



SECTION D-D
REMOVED



- △ MATERIAL :
TYPE : PA66 35%GF
COLOR : SEE TABLE
- 2. FEATURES DENOTED BY REFERENCE DIMENSIONS
MUST BE INSPECTED FOR PRESENCE
- 3. PART MUST BE FREE OF EXCESSIVE FLASH, MIS-MATCH,
SINK MARKS, OR OTHER VISUAL IMPERFECTIONS THAT
MAY AFFECT PRODUCT FIT FORM OR FUNCTION
- △ 4 CIRCUIT ID
- △ 5 PRELIMINARY PART—NOT RELEASED FOR PRODUCTION



SECTION E-E
REMOVED, ROTATED 90° CCW

COLOR	MIN	MAX	F	DESCRIPTION	PART NO
DK GRAY	5.48	6.10	6.20	CABLE SEAL RETAINER, SIZE C	1587827-3
ORANGE	4.76	5.48	5.60	CABLE SEAL RETAINER, SIZE B	1587827-2
BLACK	4.11	4.76	4.90	CABLE SEAL RETAINER, SIZE A	1587827-1

THIS DRAWING IS A CONTROLLED DOCUMENT.

DIMENSIONS:	TOLERANCES UNLESS OTHERWISE SPECIFIED:	DWN	05JUN2009
mm	0 PLC ±.2	DRN	D SIMPSON
	1 PLC ±0.2	CHK	A TYLER
	2 PLC ±0.10	APVD	
	3 PLC ±0.100	NAME	
	4 PLC ±0.0001	PRODUCT SPEC	108-2394
	ANGLES ±.1°	APPLICATION SPEC	114-13259
MATERIAL:	FINISH:	WEIGHT	

STE TE Connectivity
 CABLE SEAL RETAINER
 HVA280-2P1

SIZE CAGE CODE DRAWING NO RESTRICTED TO
 A100779C=1587827

CUSTOMER DRAWING SCALE 4:1 SHEET 1 OF 1 REV B1