



Chipsmall Limited consists of a professional team with an average of over 10 year of expertise in the distribution of electronic components. Based in Hongkong, we have already established firm and mutual-benefit business relationships with customers from,Europe,America and south Asia,supplying obsolete and hard-to-find components to meet their specific needs.

With the principle of “Quality Parts,Customers Priority,Honest Operation,and Considerate Service”,our business mainly focus on the distribution of electronic components. Line cards we deal with include Microchip,ALPS,ROHM,Xilinx,Pulse,ON,Everlight and Freescale. Main products comprise IC,Modules,Potentiometer,IC Socket,Relay,Connector.Our parts cover such applications as commercial,industrial, and automotives areas.

We are looking forward to setting up business relationship with you and hope to provide you with the best service and solution. Let us make a better world for our industry!



## Contact us

Tel: +86-755-8981 8866 Fax: +86-755-8427 6832

Email & Skype: info@chipsmall.com Web: www.chipsmall.com

Address: A1208, Overseas Decoration Building, #122 Zhenhua RD., Futian, Shenzhen, China



20  
RELEASED FOR PUBLICATION

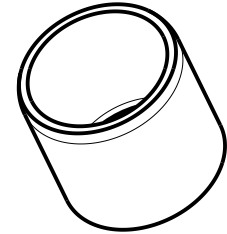
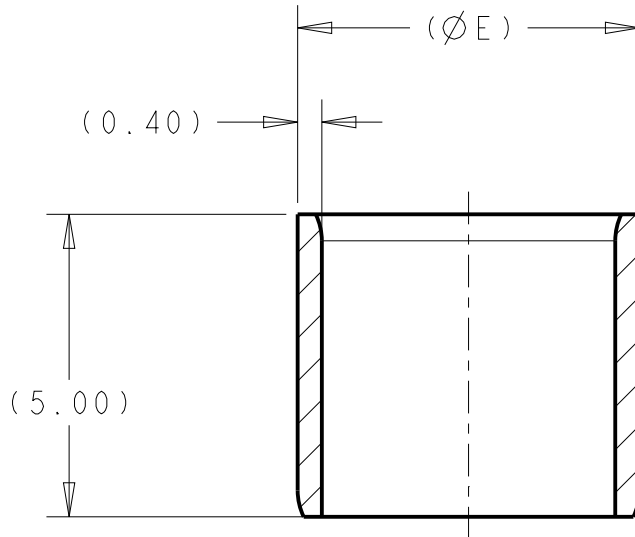
THIS DRAWING IS UNPUBLISHED.

ALL RIGHTS RESERVED.  
BY TYCO ELECTRONICS CORPORATION

© COPYRIGHT 20

REVISIONS

P	LTR	DESCRIPTION	DATE	DWN	APVD
	B3	ECO-13-000550	10JAN2013	DS	AT
	B3	ECO-14-000116	27FEB2014	DS	AT



SCALE 4:1

1 MATERIAL TYPE: COPPER ALLOY

2 FINISH: BARE

3. PARTS MUST BE FREE OF BURRS, CRACKS, OR OTHER VISUAL IMPERFECTIONS THAT MAY AFFECT FIT FORM OR FUNCTION

4 NOTE DELETED

5.41	6.10	7.00	SIZE C	1587828-3
4.76	5.41	6.30	SIZE B	1587828-2
4.11	4.76	5.70	SIZE A	1587828-1
MIN	MAX	E	DESCRIPTION	PART NO
WIRE O.D.				

DIMENSIONS: mm	DWN D SIMPSON 01JUN2009	MATERIAL	1	FINISH	2 -
	CHK A TYLER 01JUN2009				
TOLERANCES UNLESS OTHERWISE SPECIFIED:	APVD -				
0 PLC ±-	PRODUCT SPEC 108-2394	SIZE	CAGE CODE	DRAWING NO	RESTRICTED TO
1 PLC ±0.2	APPLICATION SPEC 114-13259	A 4	00779	C-1587828	-
2 PLC ±0.10	WEIGHT -	CUSTOMER DRAWING			
3 PLC ±0.013		SCALE	8:1	SHEET	1 OF 1
4 PLC ±0.0001		REV B3			
ANGLES ±-					

