



Chipsmall Limited consists of a professional team with an average of over 10 year of expertise in the distribution of electronic components. Based in Hongkong, we have already established firm and mutual-benefit business relationships with customers from,Europe,America and south Asia,supplying obsolete and hard-to-find components to meet their specific needs.

With the principle of “Quality Parts,Customers Priority,Honest Operation,and Considerate Service”,our business mainly focus on the distribution of electronic components. Line cards we deal with include Microchip,ALPS,ROHM,Xilinx,Pulse,ON,Everlight and Freescale. Main products comprise IC,Modules,Potentiometer,IC Socket,Relay,Connector.Our parts cover such applications as commercial,industrial, and automotives areas.

We are looking forward to setting up business relationship with you and hope to provide you with the best service and solution. Let us make a better world for our industry!



Contact us

Tel: +86-755-8981 8866 Fax: +86-755-8427 6832

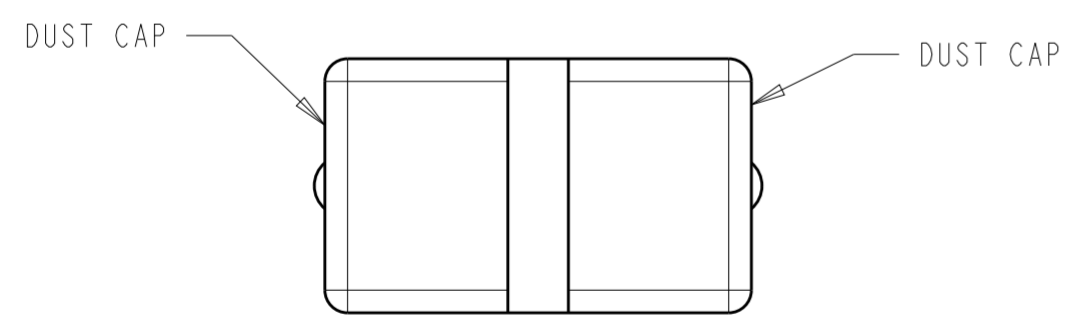
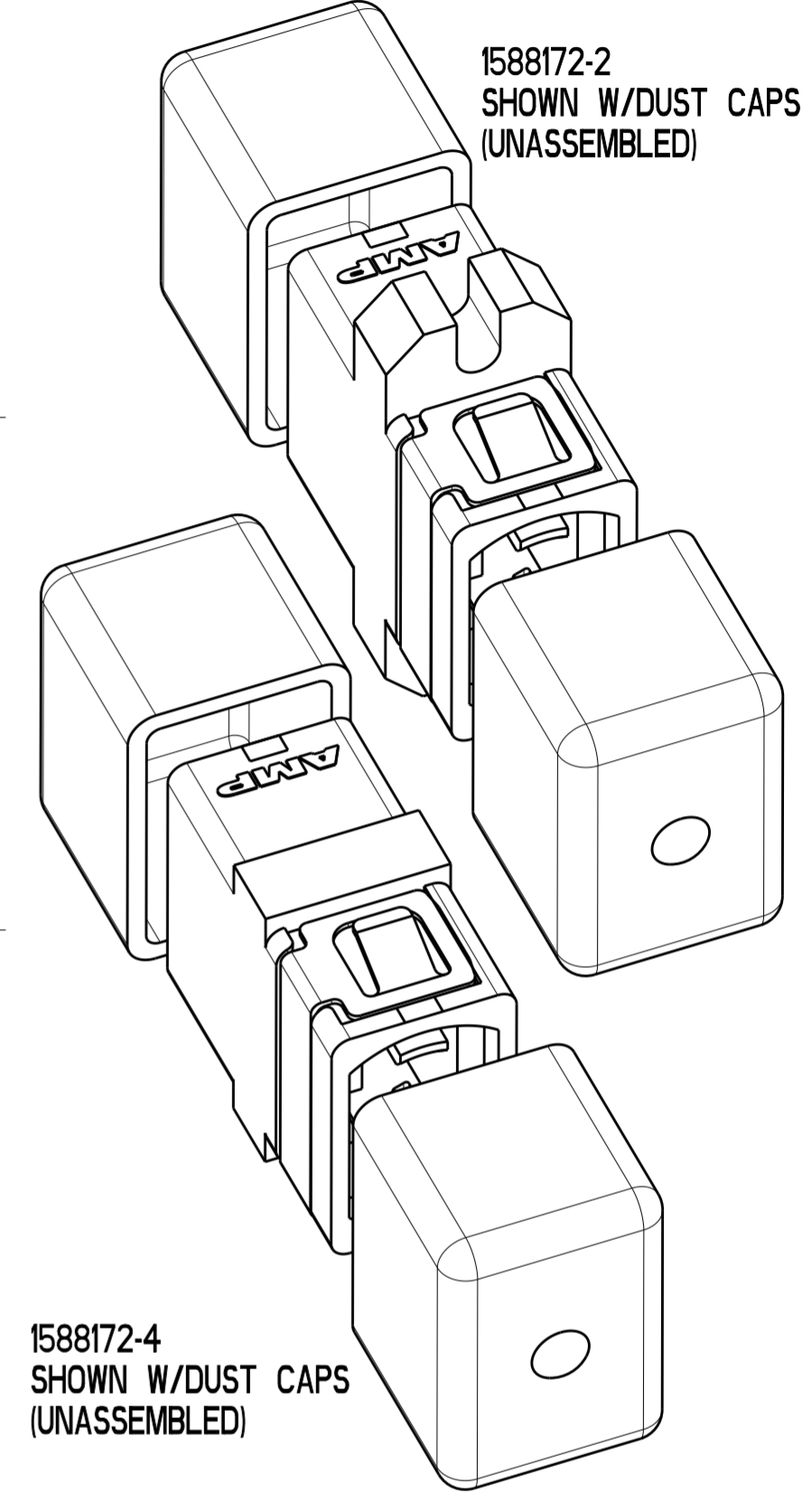
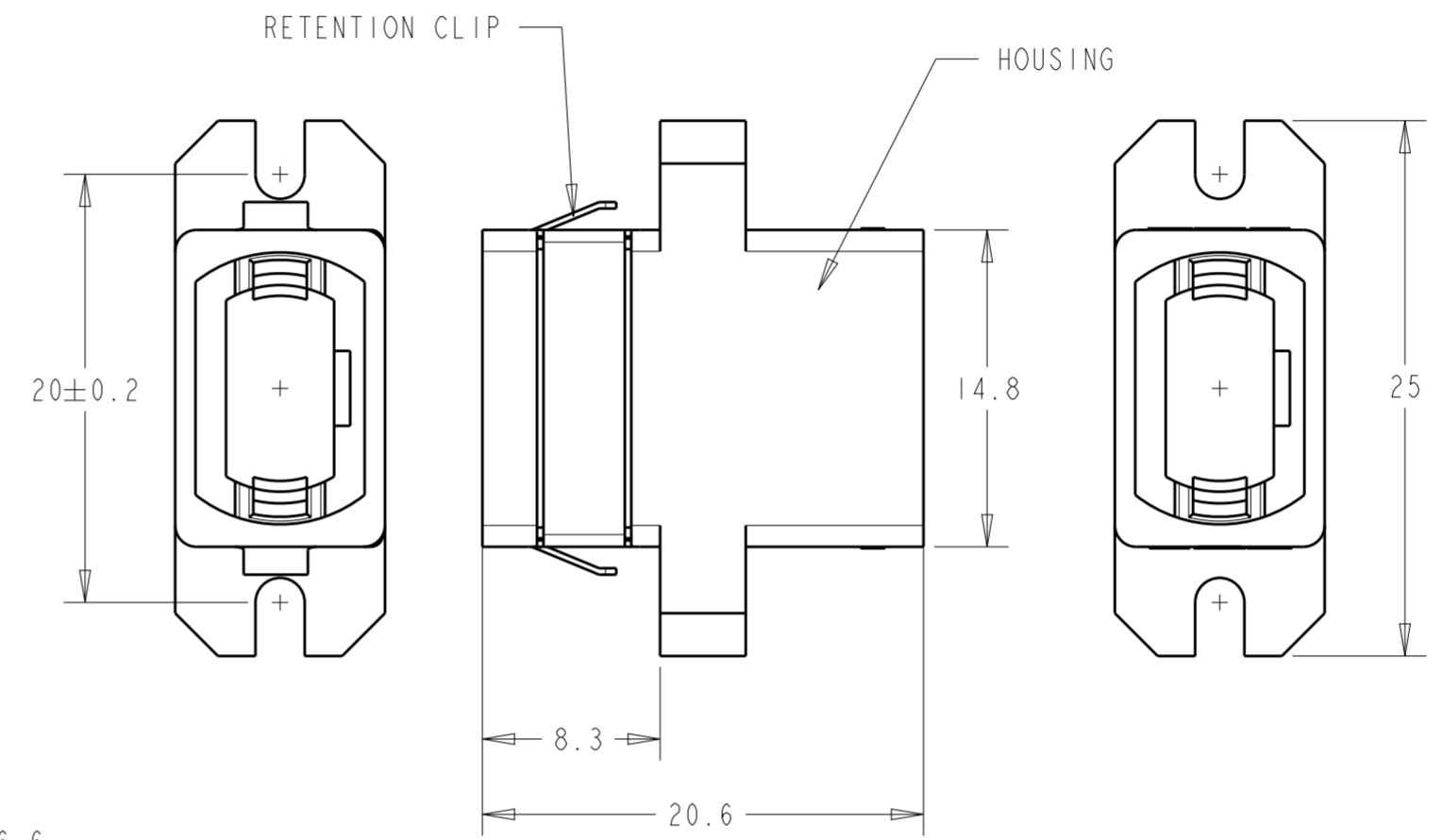
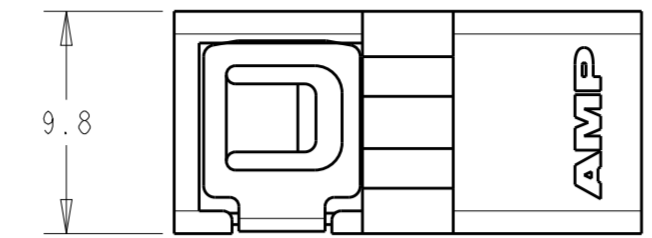
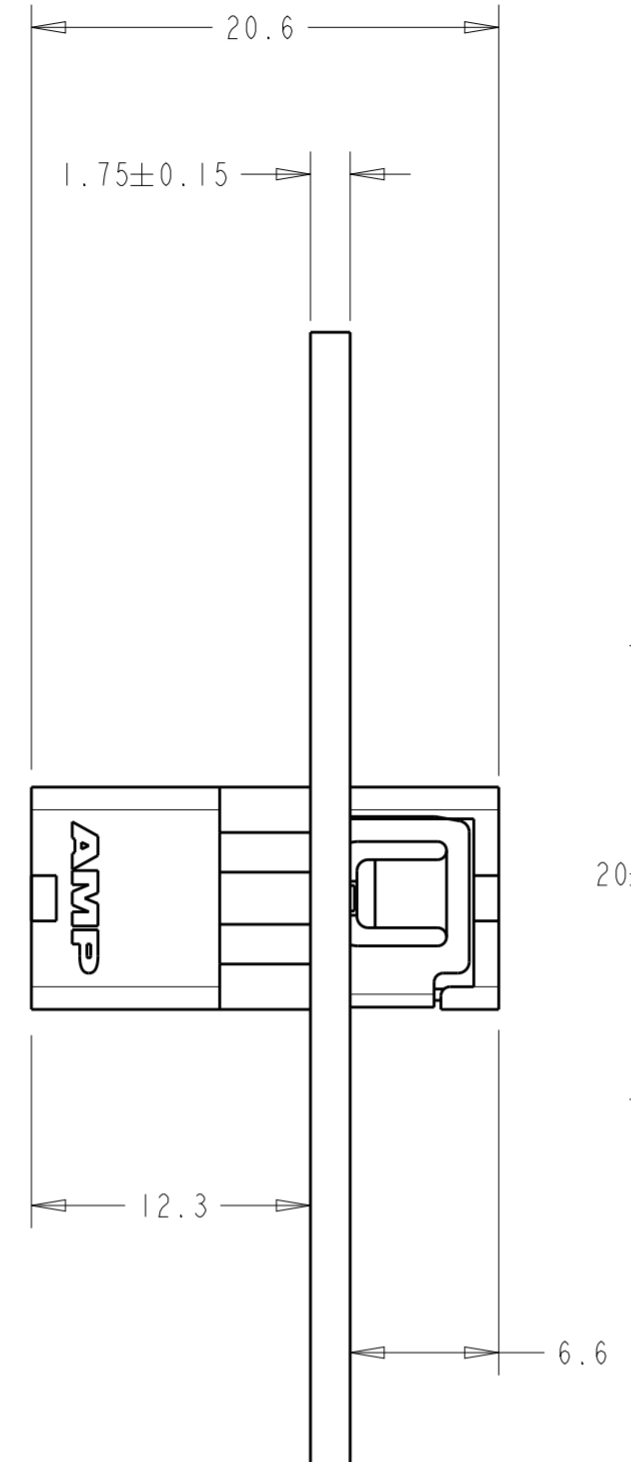
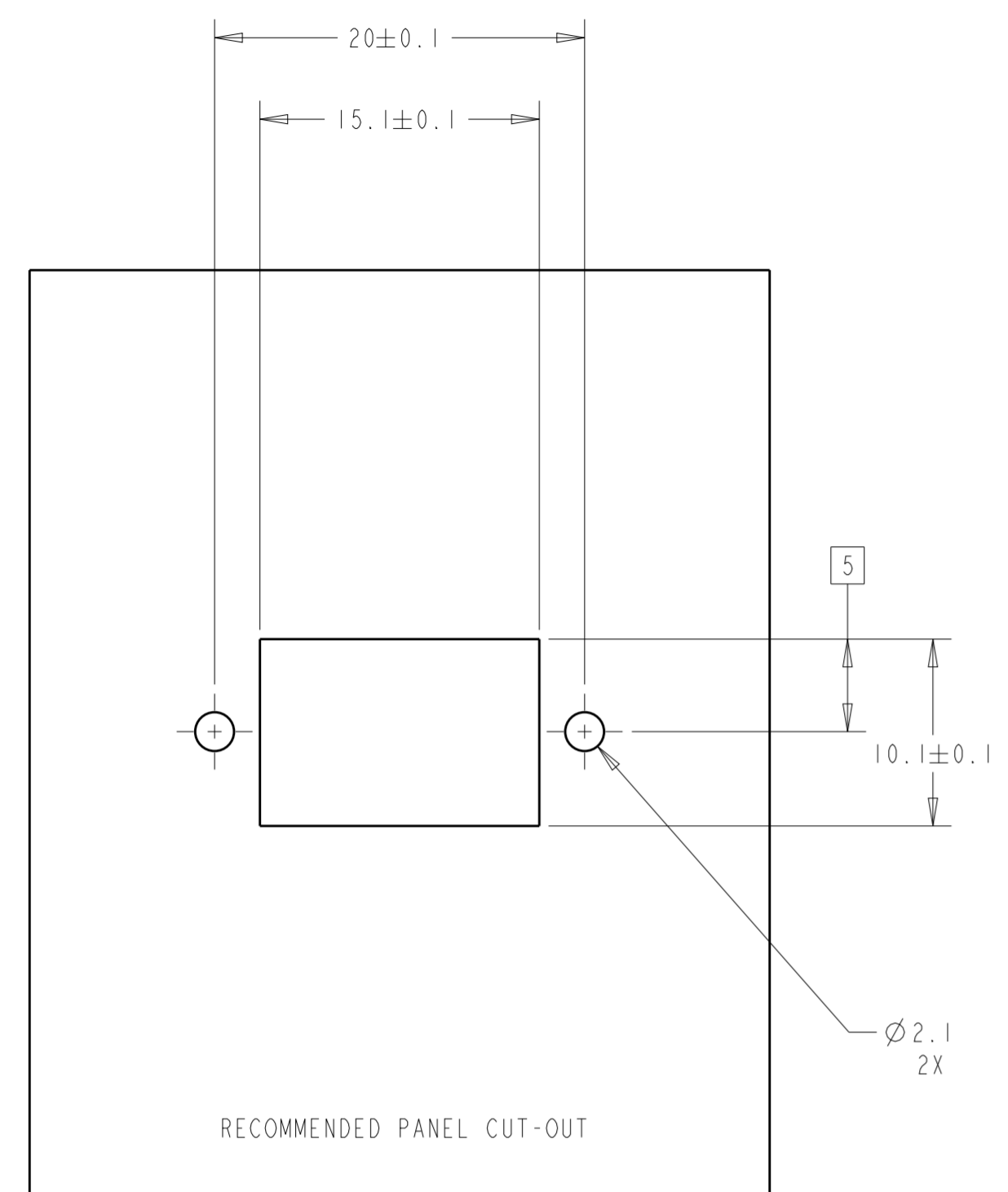
Email & Skype: info@chipsmall.com Web: www.chipsmall.com

Address: A1208, Overseas Decoration Building, #122 Zhenhua RD., Futian, Shenzhen, China

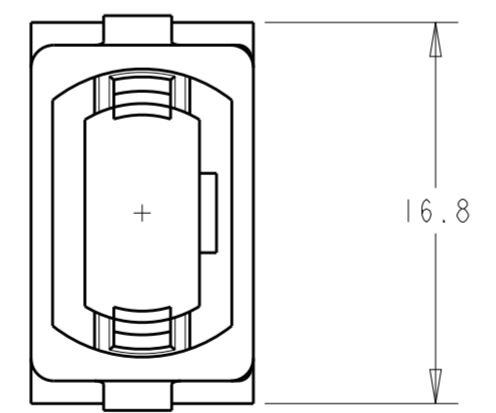


THIS DRAWING IS UNPUBLISHED. RELEASED FOR PUBLICATION 20
 © COPYRIGHT 20 BY - ALL RIGHTS RESERVED.

LOC	DIST	REVISIONS					
CE	16	P	LTR	DESCRIPTION	DATE	DWN	APVD
		D		REL PER EC 0A00-0174-05	26APR05	LGE	FA
		E		REV PER ECO-12-017185	03OCT2012	JB	TE



1588172-3
 (WITHOUT FLANGE)
 SHOWN W/DUST CAPS
 ASSEMBLED



1588172-3
 (WITHOUT FLANGE)

1588172-4
 (WITHOUT FLANGE)
 (WITH CLIP)

WHITE STRIPE FOR
 CONNECTOR ORIENTATION

- NOTES:
1. MOUNTS IN 1.75mm BULKHEAD.
 2. (OPTIONAL) USE #2 SCREWS AND NUTS (NOT PROVIDED).
 3. MEETS THE ADAPTER INTERFACE DIMENSIONS AS SPECIFIED IN IEC 61754-7.
 4. COLOR: BLACK
- 5 BULK PACK 50 PCS.

MPO ADAPTER W/O FLANGE	I-1588172-1
MPO ADAPTER W/FLANGE	I-1588172-0
MPO ADAPTER W/FLANGE, AND CLIP	1588172-9
MPO ADAPTER W/O FLANGE W/ CLIP	1588172-8
MPO ADAPTER W/O FLANGE	1588172-7
MPO ADAPTER W/ FLANGE AND CLIP	1588172-6
MPO ADAPTER W/ FLANGE	1588172-5
MPO ADAPTER W/O FLANGE AND W/CLIP	1588172-4
MPO ADAPTER W/O FLANGE	1588172-3
MPO ADAPTER W/FLANGE, AND CLIP	1588172-2
MPO ADAPTER W/FLANGE	1588172-1

THIS DRAWING IS A CONTROLLED DOCUMENT.		DWN LG EBY 06DEC2001	TE Connectivity	
DIMENSIONS: mm		CHK D. ROHDE 06DEC2001		
TOLERANCES UNLESS OTHERWISE SPECIFIED:		APVD F. ABENDSCHEIN 06DEC2001	NAME MPO ADAPTER ASSY, RETENTION CLIP AND PANEL ASSY.	
0 PLC ±.1		PRODUCT SPEC -	SIZE A2 CAGE CODE 00779 DRAWING NO. C-1588172	
1 PLC ±.1		APPLICATION SPEC -	RESTRICTED TO -	
2 PLC ±.05		WEIGHT -	SCALE NTS SHEET 1 OF 1 REV E	
3 PLC ±.		CUSTOMER DRAWING		
4 PLC ±.				
ANGLES ±.				
FINISH -				