



Chipsmall Limited consists of a professional team with an average of over 10 year of expertise in the distribution of electronic components. Based in Hongkong, we have already established firm and mutual-benefit business relationships with customers from,Europe,America and south Asia,supplying obsolete and hard-to-find components to meet their specific needs.

With the principle of “Quality Parts,Customers Priority,Honest Operation,and Considerate Service”,our business mainly focus on the distribution of electronic components. Line cards we deal with include Microchip,ALPS,ROHM,Xilinx,Pulse,ON,Everlight and Freescale. Main products comprise IC,Modules,Potentiometer,IC Socket,Relay,Connector.Our parts cover such applications as commercial,industrial, and automotives areas.

We are looking forward to setting up business relationship with you and hope to provide you with the best service and solution. Let us make a better world for our industry!



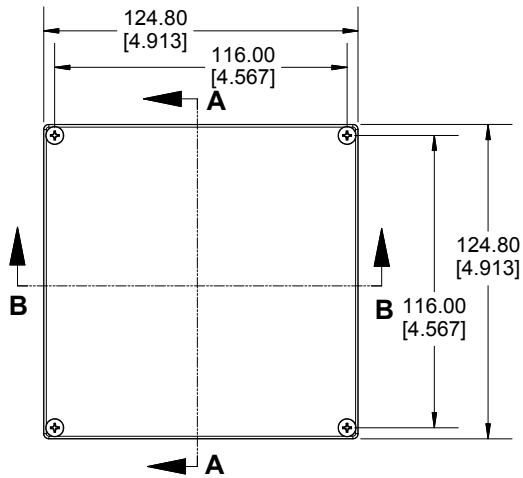
## Contact us

Tel: +86-755-8981 8866 Fax: +86-755-8427 6832

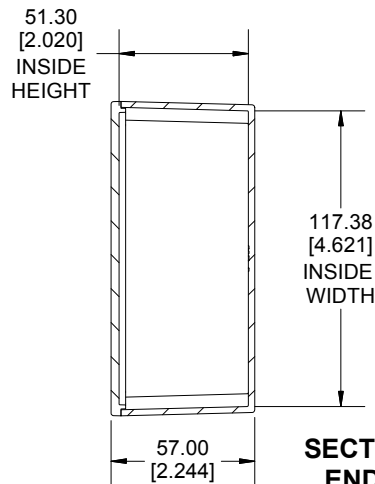
Email & Skype: info@chipsmall.com Web: www.chipsmall.com

Address: A1208, Overseas Decoration Building, #122 Zhenhua RD., Futian, Shenzhen, China





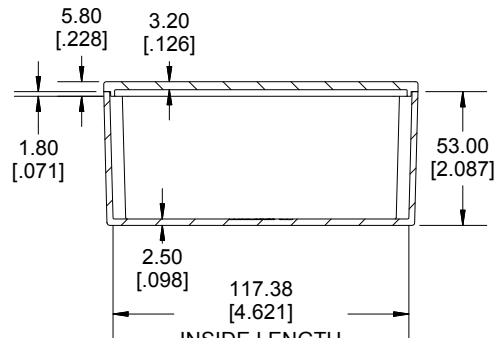
**TOP VIEW**



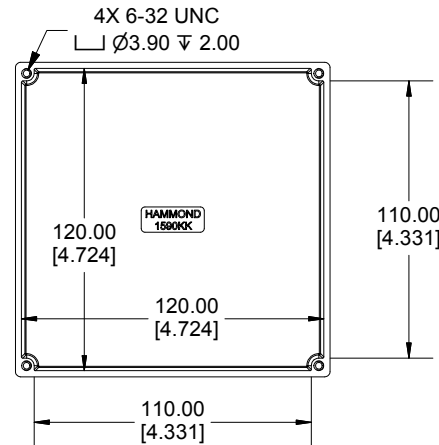
**SECTION A-A  
END VIEW**



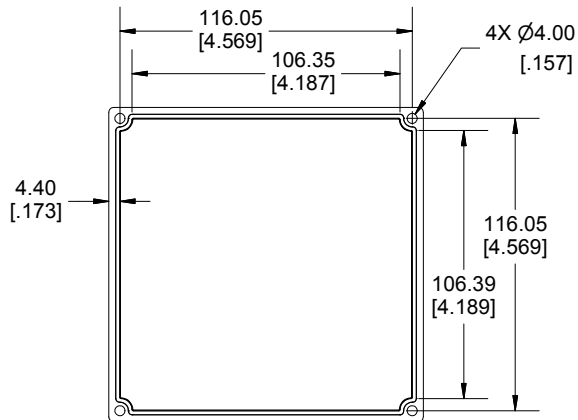
Enclosures can be Factory Modified ( Milling, Drilling, Printing etc.)  
 Contact Factory [mjm@hammondmfg.com](mailto:mjm@hammondmfg.com) for quotes  
 Solid models of this enclosure available in STEP or IGES.  
 (Part number and text placement/orientation on our products are subject to change,  
 we do not recommend using them as a locating reference for modification purposes)



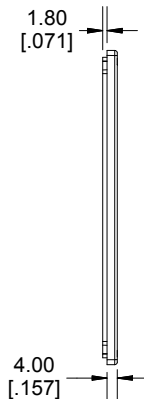
**SECTION B-B  
SIDE VIEW**



**INSIDE BOX**



**INSIDE LID**



**NOTE**  
 Purchased assembly includes box, lid and 4 cover screws.  
 Box and lid are made from Diecast Aluminum Alloy.  
 Silicone Gasket supplied with liquid resistant enclosure.  
**Recommended Torque: 50-55 cN.m [71-78 ozf.in]**  
**Recommended Torque with Gasket : 25-30 cN.m [36-43 ozf.in]**

| <b>PART NUMBERS</b>   |              |
|---|--------------|
| <b>1590KK Enclosure</b>   |              |
| Natural Finish Enclosure  | 1590KK       |
| Black Textured Enclosure  | 1590KKBK     |
| <b>1590KK Liquid Resistant Enclosure (Silicone Gasket)</b>                |              |
| Natural Finish Enclosure  | 1590WKK      |
| Black Textured Enclosure  | 1590WKKBK    |
| <b>ACCESSORIES</b>  |              |
| <b>Liquid Resistant Cover Screws</b>                                      |              |
| Stainless Steel Cover Screws (Pkg 100)<br>[6-32 x 1/2" With O-Ring]       | 1590WMS100   |
| Black Stainless Steel Cover Screws (Pkg 100)<br>[6-32 x 1/2" With O-Ring] | 1590WMS100BK |
| <b>Standard Cover Screws</b>  |              |
| Plated Cover Screws (Pkg 100)<br>[6-32 x 1/2"]                            | 1590MS100    |
| Black Cover Screws (Pkg 100)<br>[6-32 x 1/2"]                             | 1590MS100BK  |

Dimensions:  
mm  
[inches]

**HAMMOND  
MANUFACTURING®**  
**1590KK**  
[www.hammondmfg.com](http://www.hammondmfg.com)