



Chipsmall Limited consists of a professional team with an average of over 10 year of expertise in the distribution of electronic components. Based in Hongkong, we have already established firm and mutual-benefit business relationships with customers from,Europe,America and south Asia,supplying obsolete and hard-to-find components to meet their specific needs.

With the principle of “Quality Parts,Customers Priority,Honest Operation,and Considerate Service”,our business mainly focus on the distribution of electronic components. Line cards we deal with include Microchip,ALPS,ROHM,Xilinx,Pulse,ON,Everlight and Freescale. Main products comprise IC,Modules,Potentiometer,IC Socket,Relay,Connector.Our parts cover such applications as commercial,industrial, and automotives areas.

We are looking forward to setting up business relationship with you and hope to provide you with the best service and solution. Let us make a better world for our industry!



## Contact us

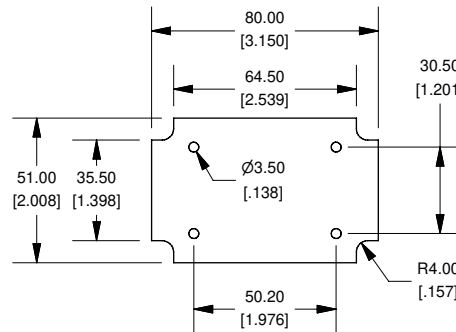
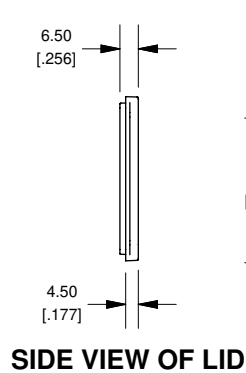
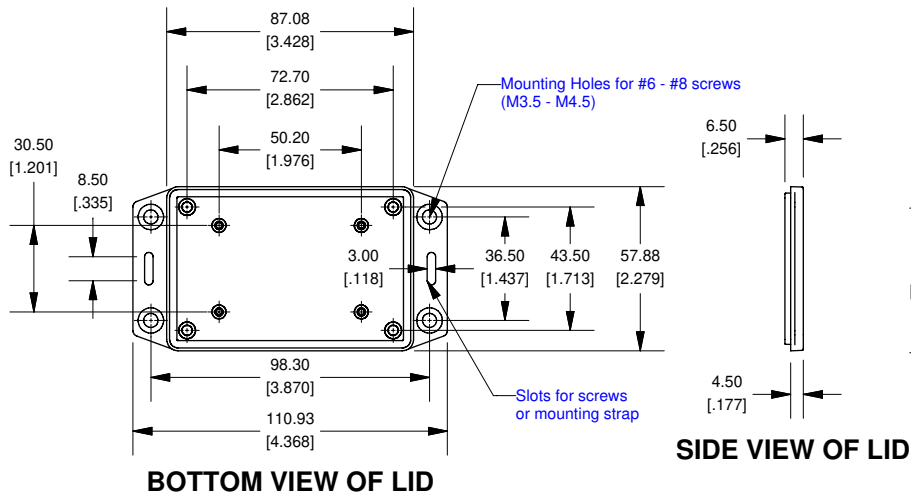
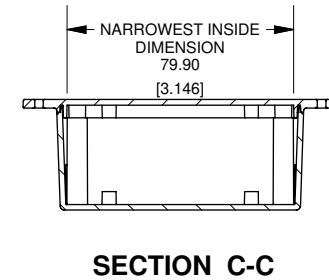
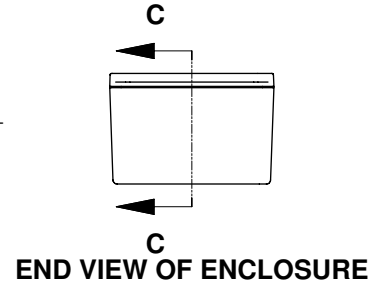
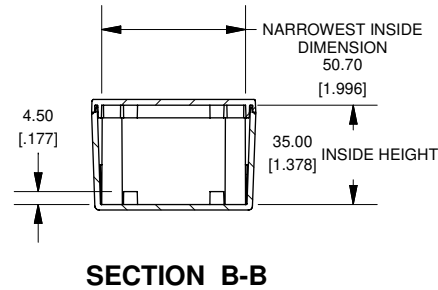
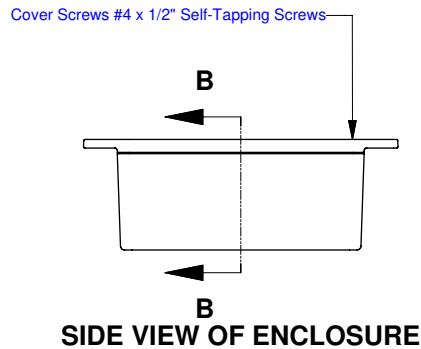
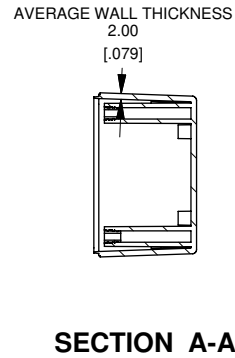
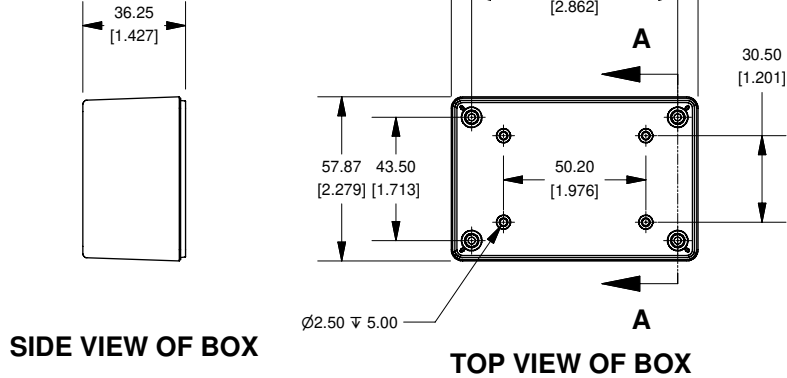
Tel: +86-755-8981 8866 Fax: +86-755-8427 6832

Email & Skype: info@chipsmall.com Web: www.chipsmall.com

Address: A1208, Overseas Decoration Building, #122 Zhenhua RD., Futian, Shenzhen, China



# 1591XXLSFL Enclosure



**Note:**

Enclosures available modified, Milling, Drilling, Silk Screening.  
Solid models of this enclosure available in STEP or IGES.  
Contact Factory [mjm@hammondmg.com](mailto:mjm@hammondmg.com)

NOTE	
Enclosure molded from GPABS UL-94HB plastic	
Other materials / colours available. Consult factory.	
1591XXLSFL	
1591XXLSFL Enclosure	
Black - RAL 7011	1591XXLSFLBK
ACCESSORIES	
Black Cover Screws	1591TS100BK
PCB Screws	1593ATS50 (pkg 50)
[ #4 x 1/4" self-tapping (6.4mm) ]	1593ATS100 (pkg 100)

