



Chipsmall Limited consists of a professional team with an average of over 10 year of expertise in the distribution of electronic components. Based in Hongkong, we have already established firm and mutual-benefit business relationships with customers from,Europe,America and south Asia,supplying obsolete and hard-to-find components to meet their specific needs.

With the principle of "Quality Parts,Customers Priority,Honest Operation,and Considerate Service",our business mainly focus on the distribution of electronic components. Line cards we deal with include Microchip,ALPS,ROHM,Xilinx,Pulse,ON,Everlight and Freescale. Main products comprise IC,Modules,Potentiometer,IC Socket,Relay,Connector.Our parts cover such applications as commercial,industrial, and automotives areas.

We are looking forward to setting up business relationship with you and hope to provide you with the best service and solution. Let us make a better world for our industry!



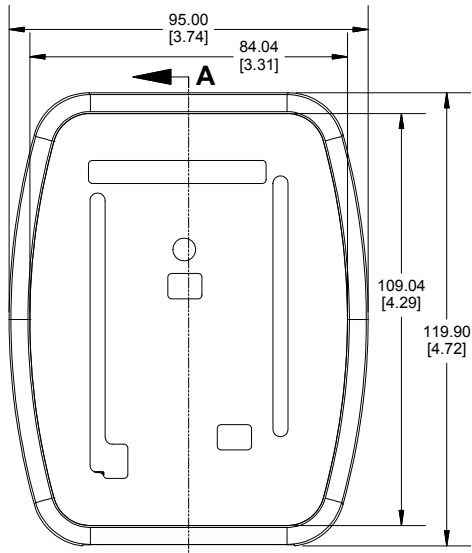
Contact us

Tel: +86-755-8981 8866 Fax: +86-755-8427 6832

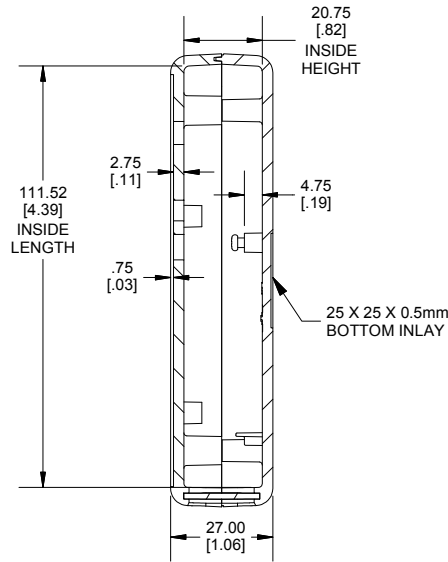
Email & Skype: info@chipsmall.com Web: www.chipsmall.com

Address: A1208, Overseas Decoration Building, #122 Zhenhua RD., Futian, Shenzhen, China

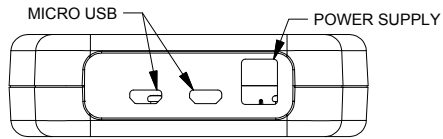
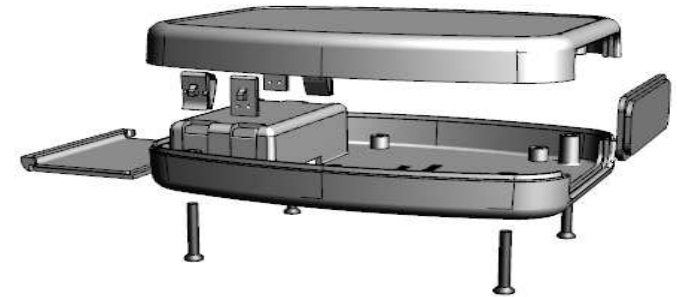




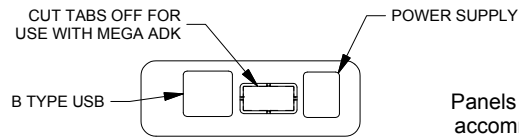
A
TOP VIEW



SECTION A-A

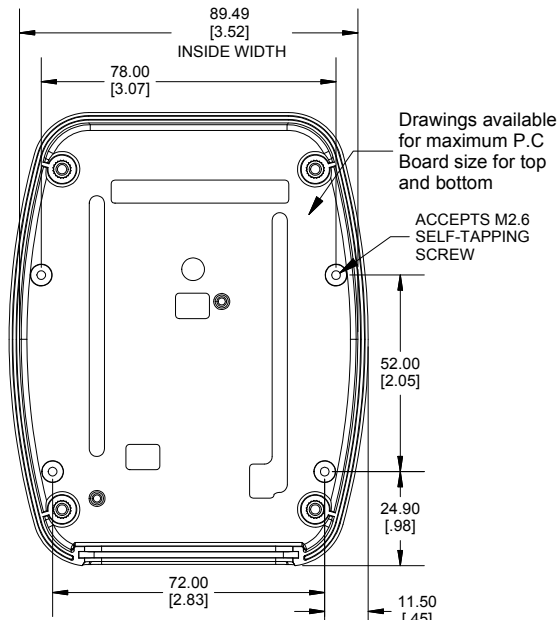


DUE FRONT VIEW

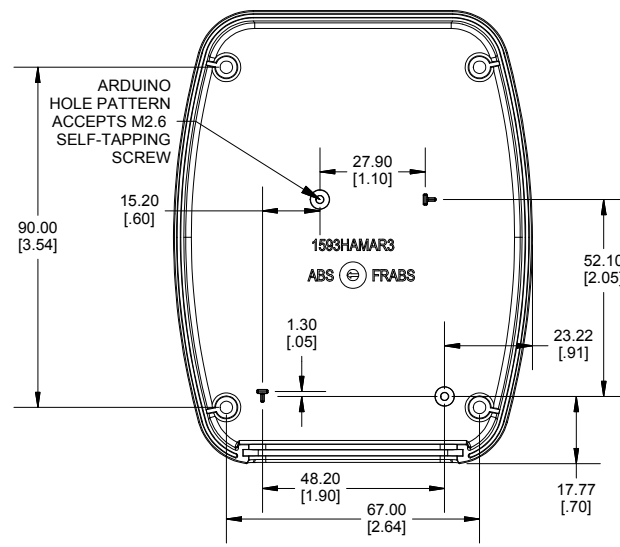


**MEGA / MEGA
APK PANEL**

NOTE:
Panels can be swapped out to accommodate Arduino boards (MEGA 2560, DUE, MEGA ADK,) Will also work with (UNO, 101, Zero, Leonardo, and other similar Arduino copies)



INSIDE TOP



INSIDE BOTTOM

Enclosures can be Factory Modified (Milling, Drilling, Printing etc.)
Contact Factory mjm@hammondmfg.com for quotes
Solid models of this enclosure available in STEP or IGES.
(Part number and text placement/orientation on our products are subject to change, we do not recommend using them as a locating reference for modification purposes)

Note

Purchased assembly includes top and bottom cover, 2 front panels (works with Arduino due, Mega ADK, Mega 2560) 4 cover screws, 2 screws to secure Arduino board.
Enclosure made from general purpose ABS

Recommended Cover Screw Torque 43-50 ozf-in (30-35cN-m)

PART NUMBERS

1593HAMAR3

Black Enclosure	1593HAMAR3BK
Grey Enclosure	1593HAMAR3GY
Translucent Blue Enclosure	1593HAMAR3TBU

ACCESSORIES

1593HAMAR3 Due End Panel (Single Panel)	1593ARL8BK-B (Black) 1593ARL8GY-B (Grey) 1593ARL8TBU-B (Blue)
1593HAMAR3 Mega End Panel (Single Panel)	1593ARL9BK-B (Black) 1593ARL9GY-B (Grey) 1593ARL9TBU-B (Blue)
Replacement Cover Screws [M3-0.5 x 18mm] (Pkg 100)	1594MS100 (Silver) 1594MS100BK (Black)
P.C. Board Screws (M2.6 X 6mm Self Tapping)	SC519-50 (Pkg 50)

Dimensions:
mm
[inches]

**HAMMOND
MANUFACTURING**

1593HAMAR3

www.hammondmfg.com