



Chipsmall Limited consists of a professional team with an average of over 10 year of expertise in the distribution of electronic components. Based in Hongkong, we have already established firm and mutual-benefit business relationships with customers from,Europe,America and south Asia,supplying obsolete and hard-to-find components to meet their specific needs.

With the principle of “Quality Parts,Customers Priority,Honest Operation,and Considerate Service”,our business mainly focus on the distribution of electronic components. Line cards we deal with include Microchip,ALPS,ROHM,Xilinx,Pulse,ON,Everlight and Freescale. Main products comprise IC,Modules,Potentiometer,IC Socket,Relay,Connector.Our parts cover such applications as commercial,industrial, and automotives areas.

We are looking forward to setting up business relationship with you and hope to provide you with the best service and solution. Let us make a better world for our industry!



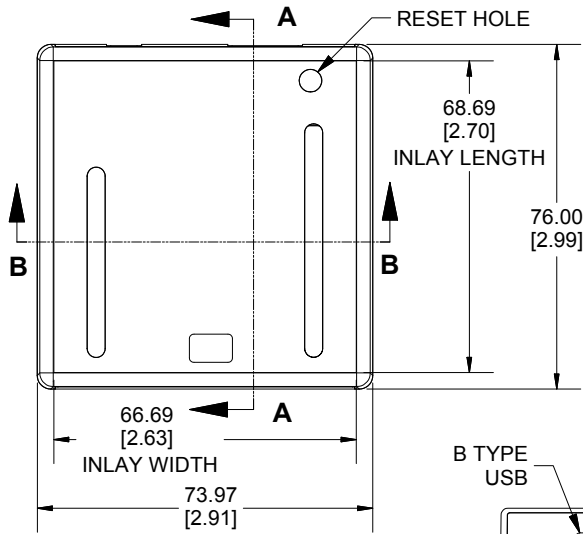
Contact us

Tel: +86-755-8981 8866 Fax: +86-755-8427 6832

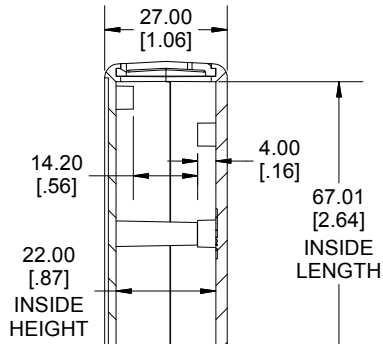
Email & Skype: info@chipsmall.com Web: www.chipsmall.com

Address: A1208, Overseas Decoration Building, #122 Zhenhua RD., Futian, Shenzhen, China

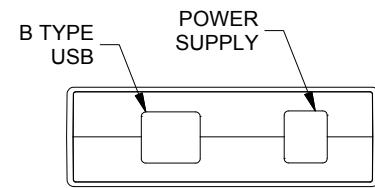




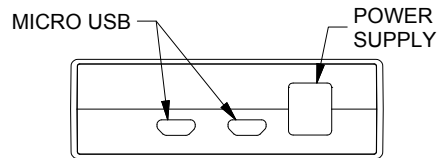
TOP VIEW



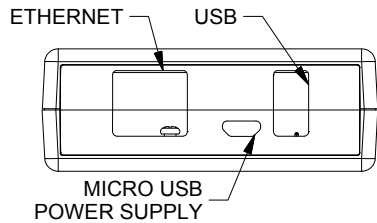
SECTION A-A



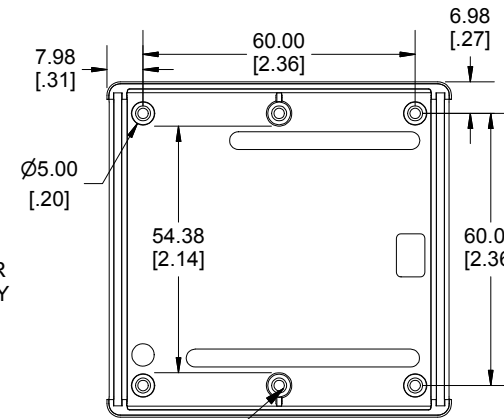
UNO PANEL



LEONARDO / M0 PRO PANEL

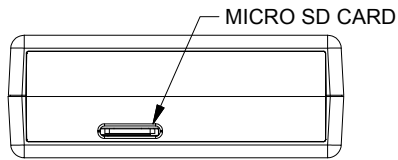


YUN FRONT VIEW

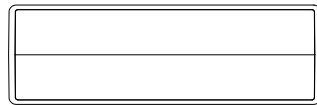


INSIDE TOP

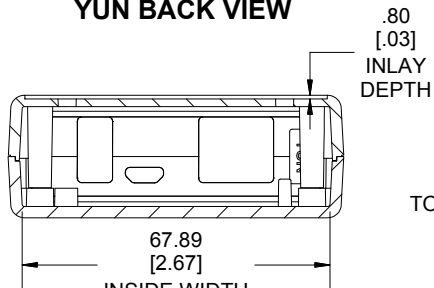
ACCEPTS #4 SELF-TAPPING SCREW



YUN BACK VIEW

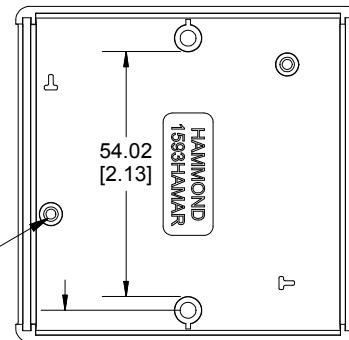


BACK COVER PANEL



SECTION B-B

NOTE:
PANELS CAN BE SWAPPED OUT TO ACCOMMODATE ARDUINO BOARDS (LEONARDO, YUN, UNO, M0 PRO)



INSIDE BOTTOM

ACCEPTS M2.6 SELF-TAPPING SCREW

Enclosures can be Factory Modified (Milling, Drilling, Printing etc.)
Contact Factory mjm@hammondmfg.com for quotes
Solid models of this enclosure available in STEP or IGES.

NOTE

Purchased assembly includes top and bottom cover, 3 front panels (work with Arduino YUN, UNO, Leonardo / M0 PRO), 2 rear Panels (one blank and one that work with YUN micro SD card), 2 cover screws, 2 screws to secure Arduino board and 4 rubber feet.

Recommended Cover Screw Torque - 57lbf-in (40cN-m)

PART NUMBERS

1593HAMAR		
Black Enclosure		1593HAMARBK
Grey Enclosure		1593HAMARGY
Translucent Blue Enclosure		1593HAMARTBU
ACCESSORIES		
Cover Screws #4 X 1/2" Self-Tapping (100 Pkg)		1591TS100
P.C. Board Screws M2.6 X 6mm Self-Tapping		1591TS100BK (Black)
Clear Rubber Feet (Pkg 24)		SC519-50 (Pkg 50)
		1421T6CL
Arduino Panels		
	Color	-
1593AR STD CONTOURED PANEL (SINGLE PANEL)	Translucent Blue	1593ARL2BK-B
	Black	1593ARL2GY-B
	Grey	1593ARL2TBU-B
1593HAMAR UNO PANEL KIT (FRONT & REAR PANEL)	Translucent Blue	1593ARL3BK-B
	Black	1593ARL3GY-B
	Grey	1593ARL3TBU-B
1593HAMAR YUN PANEL KIT (FRONT & REAR PANEL)	Translucent Blue	1593ARL4BK-B
	Black	1593ARL4GY-B
	Grey	1593ARL4TBU-B
1593HAMAR LEO/M0 PRO PANEL KIT (FRONT & REAR PANEL)	Translucent Blue	1593ARL6BK-B
	Black	1593ARL6GY-B
	Grey	1593ARL6TBU-B

Dimensions:
mm
[inches]

