



Chipsmall Limited consists of a professional team with an average of over 10 year of expertise in the distribution of electronic components. Based in Hongkong, we have already established firm and mutual-benefit business relationships with customers from,Europe,America and south Asia,supplying obsolete and hard-to-find components to meet their specific needs.

With the principle of “Quality Parts,Customers Priority,Honest Operation,and Considerate Service”,our business mainly focus on the distribution of electronic components. Line cards we deal with include Microchip,ALPS,ROHM,Xilinx,Pulse,ON,Everlight and Freescale. Main products comprise IC,Modules,Potentiometer,IC Socket,Relay,Connector.Our parts cover such applications as commercial,industrial, and automotives areas.

We are looking forward to setting up business relationship with you and hope to provide you with the best service and solution. Let us make a better world for our industry!



Contact us

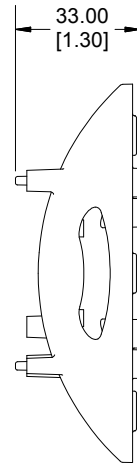
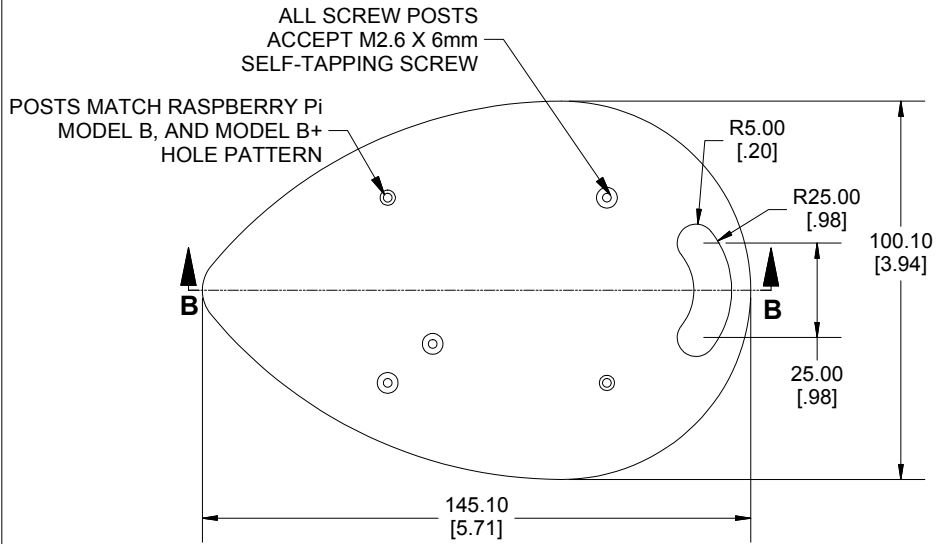
Tel: +86-755-8981 8866 Fax: +86-755-8427 6832

Email & Skype: info@chipsmall.com Web: www.chipsmall.com

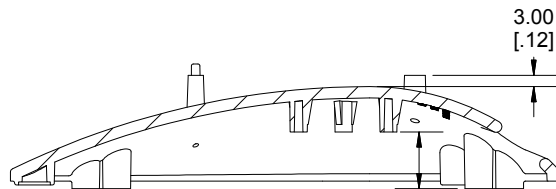
Address: A1208, Overseas Decoration Building, #122 Zhenhua RD., Futian, Shenzhen, China



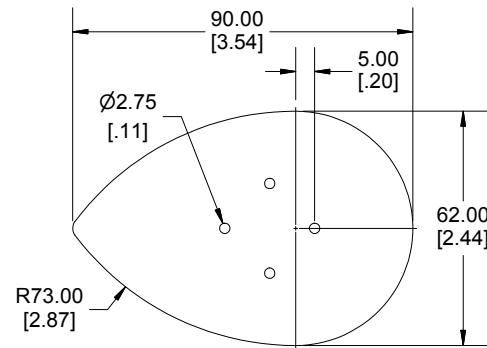
TOP VIEW



END VIEW



**SECTION B-B
SIDE VIEW**



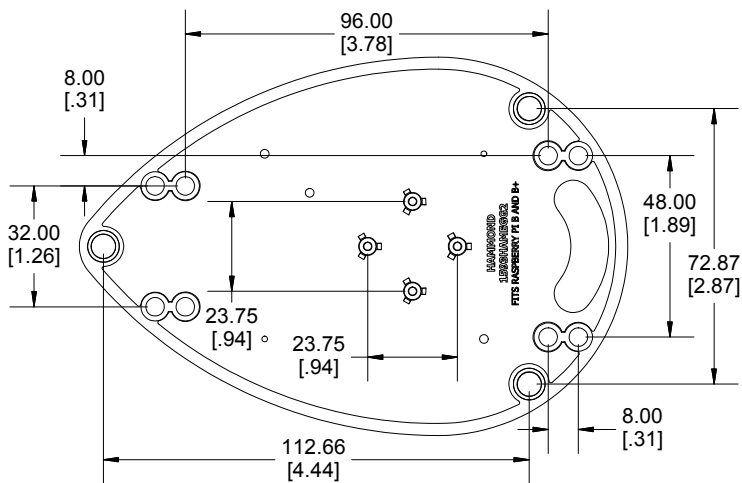
MAX SIZE PCB. THAT FITS UNDER BASE
NOT SUPPLIED WITH ASSEMBLY

Enclosures can be Factory Modified (Milling, Drilling, Printing etc.)
Contact Factory mjm@hammondmfg.com for quotes
Solid models of this enclosure available in STEP or IGES.

NOTE

Purchased assembly includes base, 3 rubber feet and 6 screws.
Molded from General Purpose ABS

Recommended Screw Torque -- 26-34 ozf.in (20-25 cN.m)



BOTTOM VIEW

Dimensions:
mm
[inches]

**HAMMOND
MANUFACTURING®**
1593HAMEGG2
www.hammondmfg.com

1593HAMEGG2	
Translucent Black	1593HAMEGG2TBK
Translucent Blue	1593HAMEGG2TBU
Translucent Purple	1593HAMEGG2TPU
ACCESSORIES	
M2.6 X 6mm self tapping screw	SC519-50
Battery holder kit for 3 AAA cells	BH3AAAW
Battery holder kit for 4 AAA cells	BH4AAAW