



Chipsmall Limited consists of a professional team with an average of over 10 year of expertise in the distribution of electronic components. Based in Hongkong, we have already established firm and mutual-benefit business relationships with customers from,Europe,America and south Asia,supplying obsolete and hard-to-find components to meet their specific needs.

With the principle of “Quality Parts,Customers Priority,Honest Operation,and Considerate Service”,our business mainly focus on the distribution of electronic components. Line cards we deal with include Microchip,ALPS,ROHM,Xilinx,Pulse,ON,Everlight and Freescale. Main products comprise IC,Modules,Potentiometer,IC Socket,Relay,Connector.Our parts cover such applications as commercial,industrial, and automotives areas.

We are looking forward to setting up business relationship with you and hope to provide you with the best service and solution. Let us make a better world for our industry!



Contact us

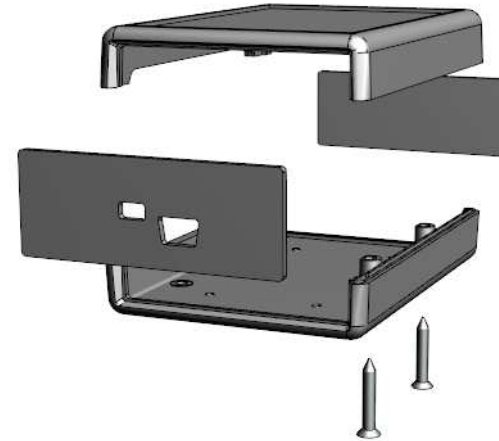
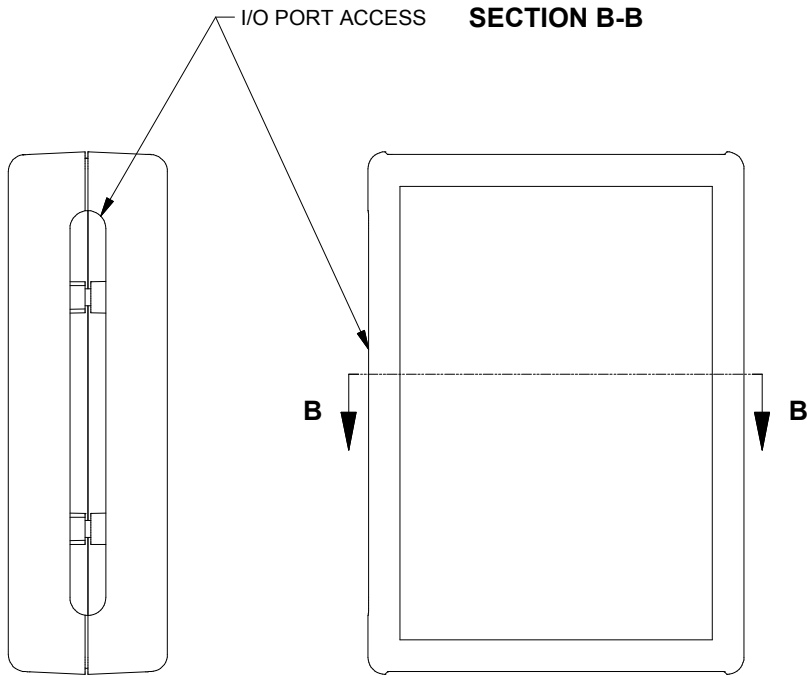
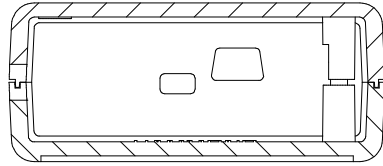
Tel: +86-755-8981 8866 Fax: +86-755-8427 6832

Email & Skype: info@chipsmall.com Web: www.chipsmall.com

Address: A1208, Overseas Decoration Building, #122 Zhenhua RD., Futian, Shenzhen, China



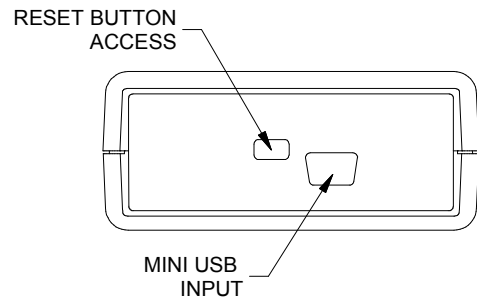
Enclosures can be Factory Modified (Milling, Drilling, Printing etc.)
 Contact Factory mjm@hammondmfg.com for quotes



NOTE: ENCLOSURE SUPPLIED WITH 4 COVER SCREWS,
 ONLY 2 COVER SCREWS REQUIRED FOR ASSEMBLY

NOTE: 1593FREE1 ENCLOSURE IS BASED ON HAMMOND STANDARD 1593L
 PLEASE SEE 1593L DRAWING FOR STANDARD ENCLOSURE SPECIFICATIONS

ASSEMBLY - VIEW FROM TOP SIDE



NOTE

Purchased assembly includes top and bottom cover, front and rear end panels, 4 cover screws, and 5 rubber feet (P.C. Board not included)
 Enclosure molded from ABS Plastic.

PART NUMBERS

1593HAMFREE1 Enclosure	
Black Enclosure	1593HAMFREE1BK
Grey Enclosure	1593HAMFREE1GY
Translucent Blue Enclosure	1593HAMFREE1TBU

Dimensions:
 mm
 [inches]

HAMMOND MANUFACTURING™
1593HAMFREE1
www.hammondmfg.com