



Chipsmall Limited consists of a professional team with an average of over 10 year of expertise in the distribution of electronic components. Based in Hongkong, we have already established firm and mutual-benefit business relationships with customers from,Europe,America and south Asia,supplying obsolete and hard-to-find components to meet their specific needs.

With the principle of “Quality Parts,Customers Priority,Honest Operation,and Considerate Service”,our business mainly focus on the distribution of electronic components. Line cards we deal with include Microchip,ALPS,ROHM,Xilinx,Pulse,ON,Everlight and Freescale. Main products comprise IC,Modules,Potentiometer,IC Socket,Relay,Connector.Our parts cover such applications as commercial,industrial, and automotives areas.

We are looking forward to setting up business relationship with you and hope to provide you with the best service and solution. Let us make a better world for our industry!



Contact us

Tel: +86-755-8981 8866 Fax: +86-755-8427 6832

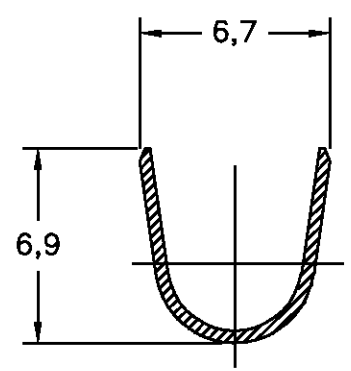
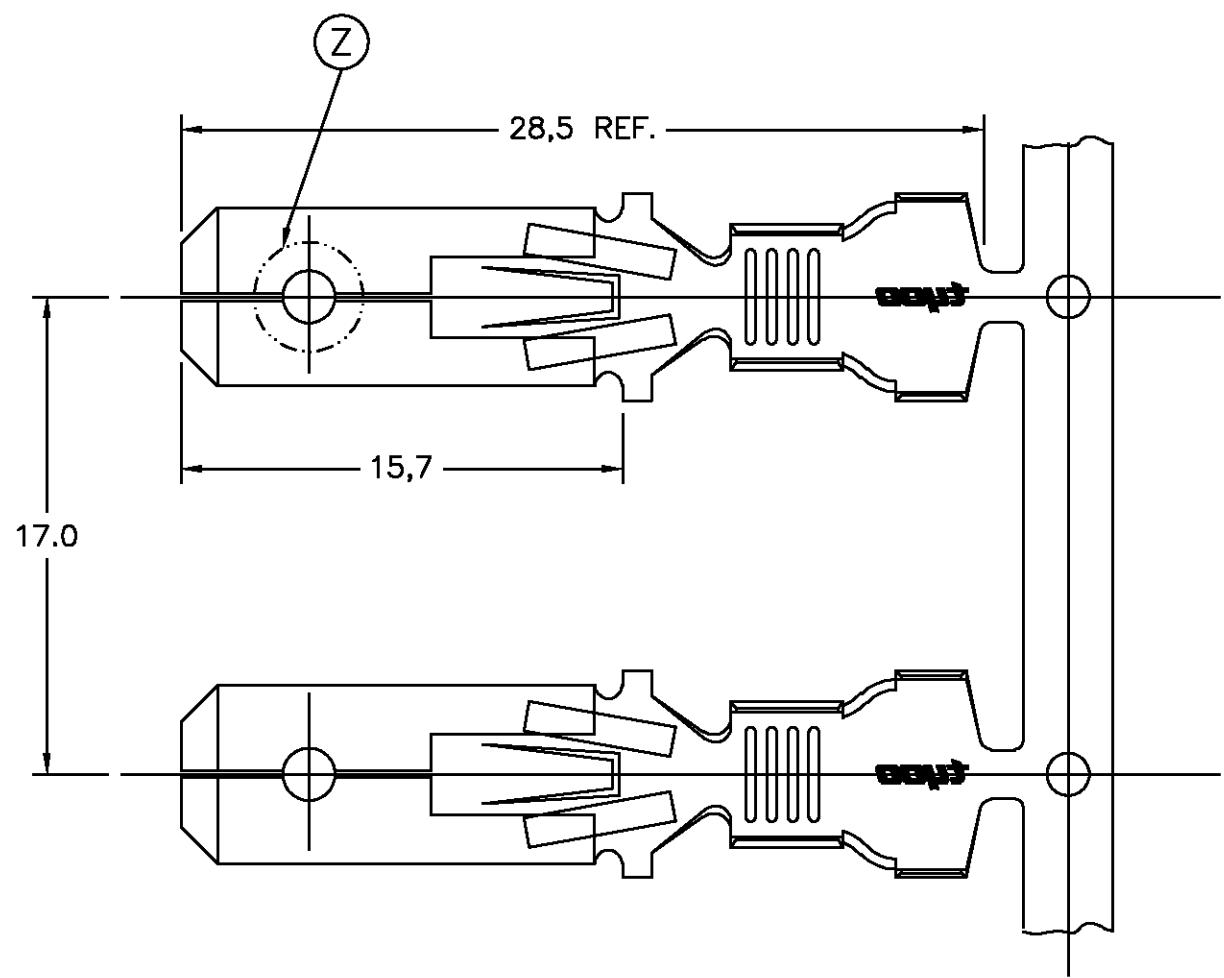
Email & Skype: info@chipsmall.com Web: www.chipsmall.com

Address: A1208, Overseas Decoration Building, #122 Zhenhua RD., Futian, Shenzhen, China

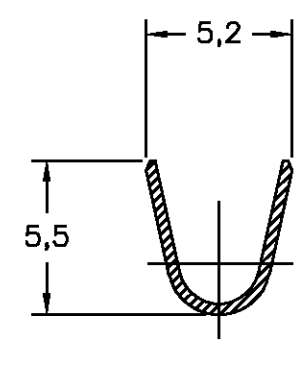


THIS DRAWING IS UNPUBLISHED. RELEASED FOR PUBLICATION
 © COPYRIGHT - BY TYCO ELECTRONICS CORPORATION. ALL RIGHTS RESERVED.

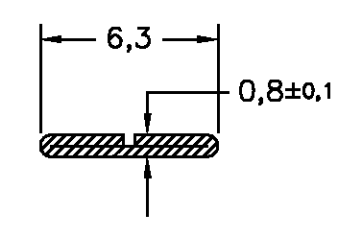
LOC	DIST	REVISIONS			
P	LTR	DESCRIPTION	DATE	DWN	APVD
AP	-	A	RELEASED	12JUN2008	RKTL DAO



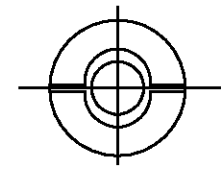
SECÇÃO B-B
SECTION



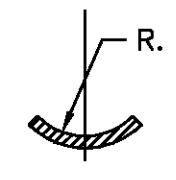
SECÇÃO A-A
SECTION



SECÇÃO C-C
SECTION

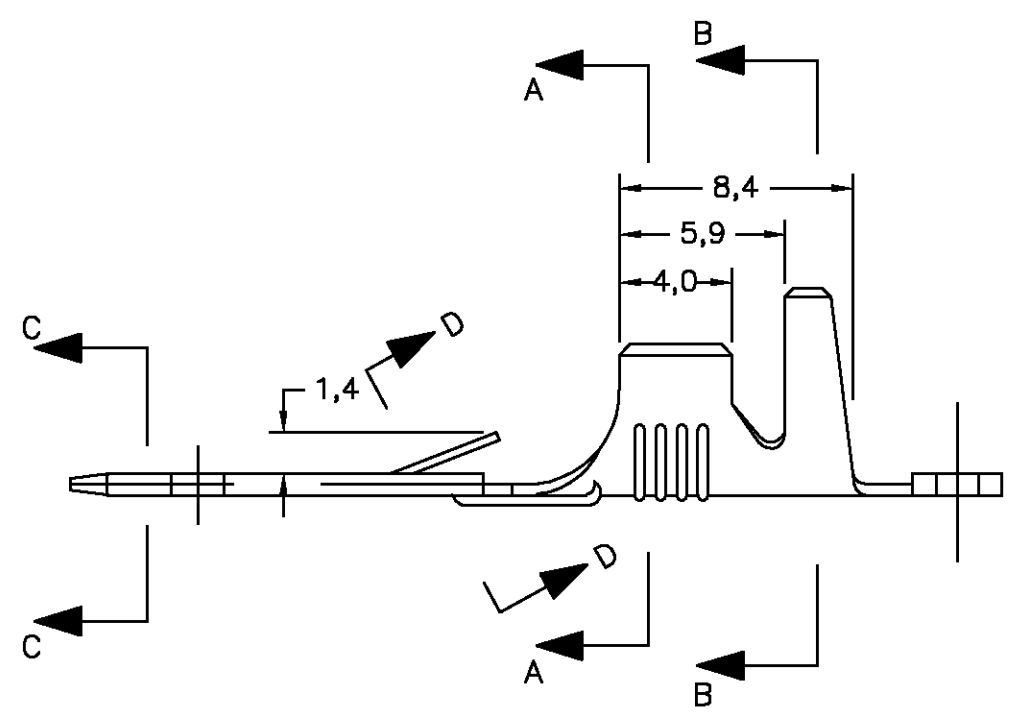


DETALHE Z
DETAIL



SECÇÃO D-D
SECTION

CONSTRUÇÃO OPCIONAL
OPTIONAL CONSTRUCTION



OTHER TRETMENT	FINISH	MATERIAL	PART NUMBER
---	ESTANHADO/TINNED	LATÃO/BRASS 100-86 082	1599052-2
---	ESTANHADO/TINNED	BRONZE FOSF./PHOSF BRONZE	1599052-1

THIS DRAWING IS A CONTROLLED DOCUMENT.		DWN R.K.S.T.LEME 11JUN2008	Tyco Electronics Corporation Sao Paulo, Brasil	
DIMENSIONS: mm		CHK E.LOPES 12JUN2008	NAME .250 SERIES FASTIN-ON TAB	
TOLERANCES UNLESS OTHERWISE SPECIFIED:		APVD D.A.OLIVEIRA 12JUN2008	PRODUCT SPEC 108-37015	
0 PLC ± -		APPLICATION SPEC		
1 PLC ± 0,3		SIZE	CAGE CODE	DRAWING NO
2 PLC ± -		A3 00779		©=1599052
3 PLC ± -		RESTRICTED TO		
4 PLC ± -		-		
ANGLES ± 1'		SCALE 1:1		
FINISH		SHEET 1 OF 1		
MATERIAL SEE TABLE		REV A		
WIRE RANGE 4,0-6,0 mm2		CUSTOMER DRAWING		
INS. RANGE 3,2-4,3 mm		SCALE 1:1		