



Chipsmall Limited consists of a professional team with an average of over 10 year of expertise in the distribution of electronic components. Based in Hongkong, we have already established firm and mutual-benefit business relationships with customers from,Europe,America and south Asia,supplying obsolete and hard-to-find components to meet their specific needs.

With the principle of “Quality Parts,Customers Priority,Honest Operation,and Considerate Service”,our business mainly focus on the distribution of electronic components. Line cards we deal with include Microchip,ALPS,ROHM,Xilinx,Pulse,ON,Everlight and Freescale. Main products comprise IC,Modules,Potentiometer,IC Socket,Relay,Connector.Our parts cover such applications as commercial,industrial, and automotives areas.

We are looking forward to setting up business relationship with you and hope to provide you with the best service and solution. Let us make a better world for our industry!



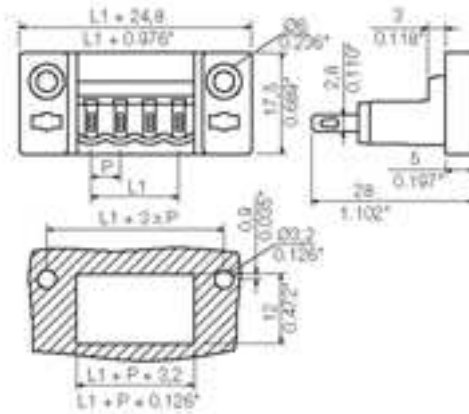
## Contact us

Tel: +86-755-8981 8866 Fax: +86-755-8427 6832

Email & Skype: info@chipsmall.com Web: www.chipsmall.com

Address: A1208, Overseas Decoration Building, #122 Zhenhua RD., Futian, Shenzhen, China





#### General ordering data

|                  |  |
|------------------|--|
| Order No.        | 1599150000   |
| Part designation | SLDF 5.08 L/F 4 SN OR  |
| Version          | PCB plug-in connector, Male connectors, Pitch: 5.08 mm, No. of poles: 4, 180°, Box |
| EAN              | 4008190133627  |
| Qty.             | 100 pc(s).   |

#### System parameters

|                                 |          |
|---------------------------------|----------|
| Outgoing direction of conductor | 180°     |
| Pitch                           | 5.08 mm  |
| Pitch in inch                   | 0.2 inch |
| No. of poles                    | 4        |
| L1 in mm                        | 15.24 mm |
| L1 in inch                      | 0.6 inch |

#### Material data

|                          |                     |
|--------------------------|---------------------|
| Insulating material      | PBT                 |
| Colour                   | orange              |
| colour chart             | Similar to RAL 2000 |
| Flammability class UL 94 | V-0                 |
| Contact base material    | CuSn                |
| Contact surface          | tinned              |

#### DIN IEC rating data

|  |       |
|--|-------|
| Rated current, min. No. pins (Tu=20°C)   | 15 A  |
| Rated current, min. No. pins(Tu=40°C)  | 13 A  |
| Rated voltage for overvoltage class/pollution severity II/2                    | 400 V |
| Rated voltage for overvoltage class/pollution severity III/2                   | 320 V |
| Rated voltage for overvoltage class/pollution severity III/3                   | 250 V |
| Rated impulse withstand voltage for overvoltage class/pollution severity II/2  | 4 kV  |
| Rated impulse withstand voltage for overvoltage class/pollution severity III/2 | 4 kV  |
| Rated impulse withstand voltage for overvoltage class/pollution severity III/3 | 4 kV  |

#### CSA rating data

|                             |       |
|-----------------------------|-------|
| Rated voltage (Use group D) | 300 V |
| Rated current (Use group D) | 10 A  |

#### UL 1059 rating data

|                             |       |
|-----------------------------|-------|
| Rated voltage (Use group D) | 300 V |
| Rated current (Use group D) | 10 A  |

#### Approvals

Approvals institutes



#### Classifications

|            |             |
|------------|-------------|
| ETIM 2.0   | NK          |
| ETIM 3.0   | EC001284    |
| eClass 4.1 | 27-26-07-01 |
| eClass 5.0 | 27-26-07-01 |
| eClass 5.1 | 27-26-07-04 |

#### Similar products

| Order No. | Part designation | Version |
|-----------|------------------|---------|
|-----------|------------------|---------|



|            |                        |   |
|------------|------------------------|---|
| 1599130000 | SLDF 5.08 L/F 2 SN OR  | PCB plug-in connector, Male connectors, Pitch: 5.08 mm, No. of poles: 2, 180°, Box  |
| 1599140000 | SLDF 5.08 L/F 3 SN OR  | PCB plug-in connector, Male connectors, Pitch: 5.08 mm, No. of poles: 3, 180°, Box  |
| 1599160000 | SLDF 5.08 L/F 5 SN OR  | PCB plug-in connector, Male connectors, Pitch: 5.08 mm, No. of poles: 5, 180°, Box  |
| 1599170000 | SLDF 5.08 L/F 6 SN OR  | PCB plug-in connector, Male connectors, Pitch: 5.08 mm, No. of poles: 6, 180°, Box  |
| 1599180000 | SLDF 5.08 L/F 7 SN OR  | PCB plug-in connector, Male connectors, Pitch: 5.08 mm, No. of poles: 7, 180°, Box  |
| 1599190000 | SLDF 5.08 L/F 8 SN OR  | PCB plug-in connector, Male connectors, Pitch: 5.08 mm, No. of poles: 8, 180°, Box  |
| 1599200000 | SLDF 5.08 L/F 9 SN OR  | PCB plug-in connector, Male connectors, Pitch: 5.08 mm, No. of poles: 9, 180°, Box  |
| 1599210000 | SLDF 5.08 L/F 10 SN OR | PCB plug-in connector, Male connectors, Pitch: 5.08 mm, No. of poles: 10, 180°, Box |
| 1599220000 | SLDF 5.08 L/F 11 SN OR | PCB plug-in connector, Male connectors, Pitch: 5.08 mm, No. of poles: 11, 180°, Box |
| 1599230000 | SLDF 5.08 L/F 12 SN OR | PCB plug-in connector, Male connectors, Pitch: 5.08 mm, No. of poles: 12, 180°, Box |
| 1599240000 | SLDF 5.08 L/F 13 SN OR | PCB plug-in connector, Male connectors, Pitch: 5.08 mm, No. of poles: 13, 180°, Box |
| 1599250000 | SLDF 5.08 L/F 14 SN OR | PCB plug-in connector, Male connectors, Pitch: 5.08 mm, No. of poles: 14, 180°, Box |
| 1599260000 | SLDF 5.08 L/F 15 SN OR | PCB plug-in connector, Male connectors, Pitch: 5.08 mm, No. of poles: 15, 180°, Box |
| 1599270000 | SLDF 5.08 L/F 16 SN OR | PCB plug-in connector, Male connectors, Pitch: 5.08 mm, No. of poles: 16, 180°, Box |