



Chipsmall Limited consists of a professional team with an average of over 10 year of expertise in the distribution of electronic components. Based in Hongkong, we have already established firm and mutual-benefit business relationships with customers from,Europe,America and south Asia,supplying obsolete and hard-to-find components to meet their specific needs.

With the principle of “Quality Parts,Customers Priority,Honest Operation,and Considerate Service”,our business mainly focus on the distribution of electronic components. Line cards we deal with include Microchip,ALPS,ROHM,Xilinx,Pulse,ON,Everlight and Freescale. Main products comprise IC,Modules,Potentiometer,IC Socket,Relay,Connector.Our parts cover such applications as commercial,industrial, and automotives areas.

We are looking forward to setting up business relationship with you and hope to provide you with the best service and solution. Let us make a better world for our industry!



Contact us

Tel: +86-755-8981 8866 Fax: +86-755-8427 6832

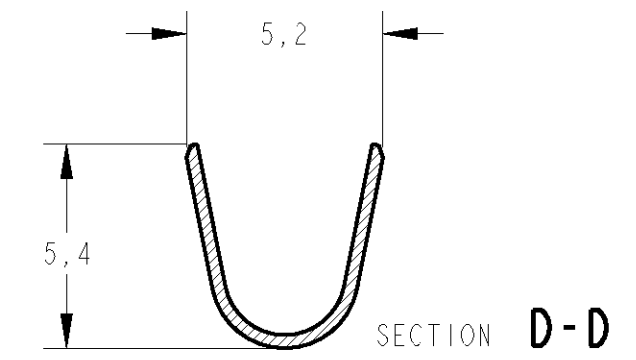
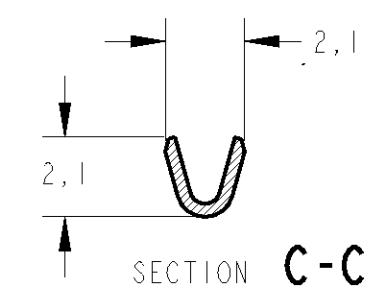
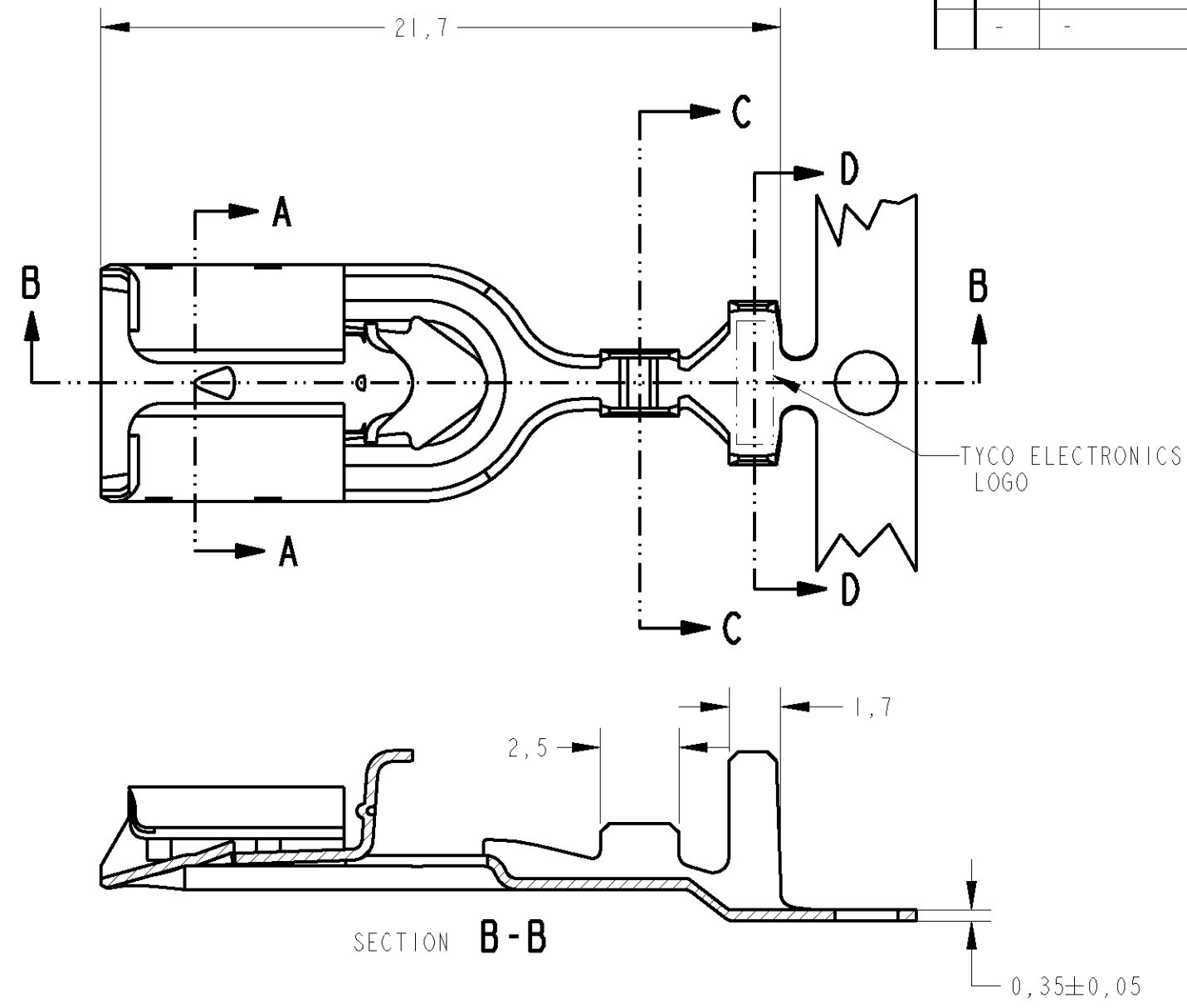
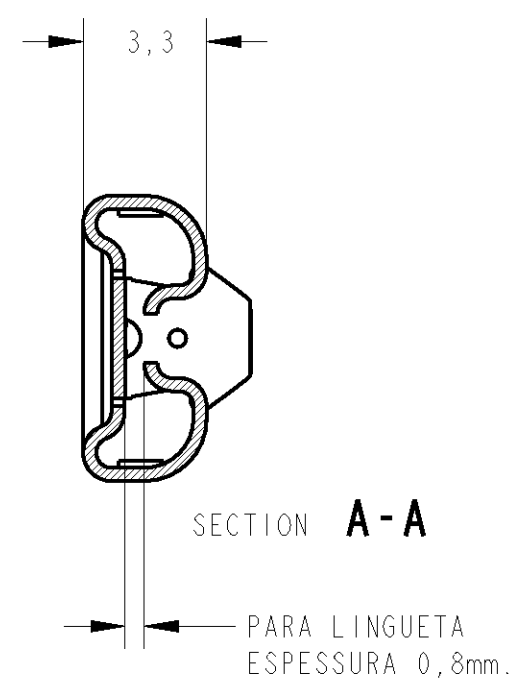
Email & Skype: info@chipsmall.com Web: www.chipsmall.com

Address: A1208, Overseas Decoration Building, #122 Zhenhua RD., Futian, Shenzhen, China



THIS DRAWING IS UNPUBLISHED. RELEASED FOR PUBLICATION
 © COPYRIGHT 19 BY TYCO ELECTRONICS CORPORATION. ALL RIGHTS RESERVED.

LOC	DIST	REVISIONS			
P	LTR	DESCRIPTION	DATE	DWN	APVD
AP	-	Released	18OCT05	H.C	WLS
		REVISED BY ECO-07-015096	20SEP2007	HC	HC
-	-	-	-	-	-
-	-	-	-	-	-



Ø 3,2mm. MAX.	0,2/0,5mm			
INS. RANGE	WIRE RANGE	FINISH	BRASS/LATÃO	1599720-1
			MATERIAL	PART NUMBER

<small>THIS DRAWING IS A CONTROLLED DOCUMENT FOR TYCO ELECTRONICS CORPORATION. IT IS SUBJECT TO CHANGE AND THE CONTROLLING ENGINEERING ORGANIZATION SHOULD BE CONTACTED FOR THE LATEST REVISION.</small>		DWN 11/aug/2005 H.C. Canteri CHK 11/aug/2005 W.L. Stefani APVD - PRODUCT SPEC - APPLICATION SPEC - WEIGHT -	tyco Electronics TYCO ELECTRONICS do Brasil LTDA São Paulo - Brasil
DIMENSIONS: mm 	TOLERANCES UNLESS OTHERWISE SPECIFIED: 0 PLC ±0,4 1 PLC ±0,4 2 PLC ±0,10 3 PLC ±0,001 4 PLC ±0,000J ANGLES ±1	NAME POSITIVE LOCK REC. MKII .250 SERIES	SIZE A3 CAGE CODE 00779 DRAWING NO. ©=1599720 RESTRICTED TO -
MATERIAL -	FINISH -	CUSTOMER DRAWING	SCALE 5/1 SHEET 1 OF 1 REV A