



Chipsmall Limited consists of a professional team with an average of over 10 year of expertise in the distribution of electronic components. Based in Hongkong, we have already established firm and mutual-benefit business relationships with customers from,Europe,America and south Asia,supplying obsolete and hard-to-find components to meet their specific needs.

With the principle of "Quality Parts,Customers Priority,Honest Operation,and Considerate Service",our business mainly focus on the distribution of electronic components. Line cards we deal with include Microchip,ALPS,ROHM,Xilinx,Pulse,ON,Everlight and Freescale. Main products comprise IC,Modules,Potentiometer,IC Socket,Relay,Connector.Our parts cover such applications as commercial,industrial, and automotives areas.

We are looking forward to setting up business relationship with you and hope to provide you with the best service and solution. Let us make a better world for our industry!



## Contact us

Tel: +86-755-8981 8866 Fax: +86-755-8427 6832

Email & Skype: info@chipsmall.com Web: www.chipsmall.com

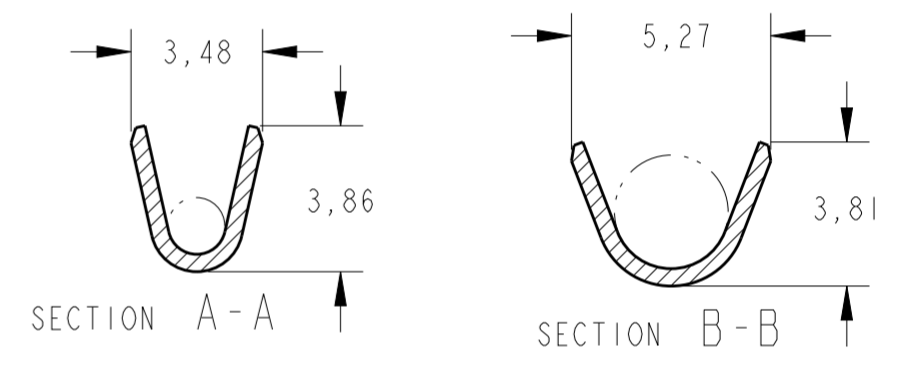
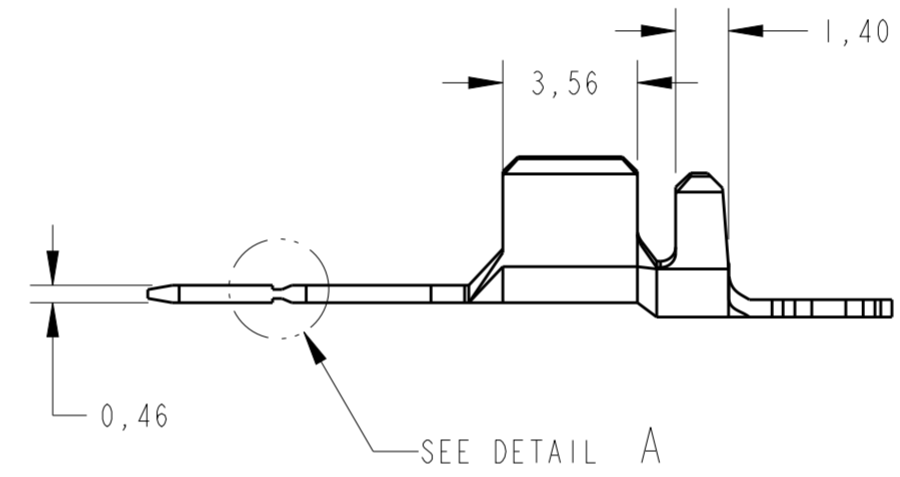
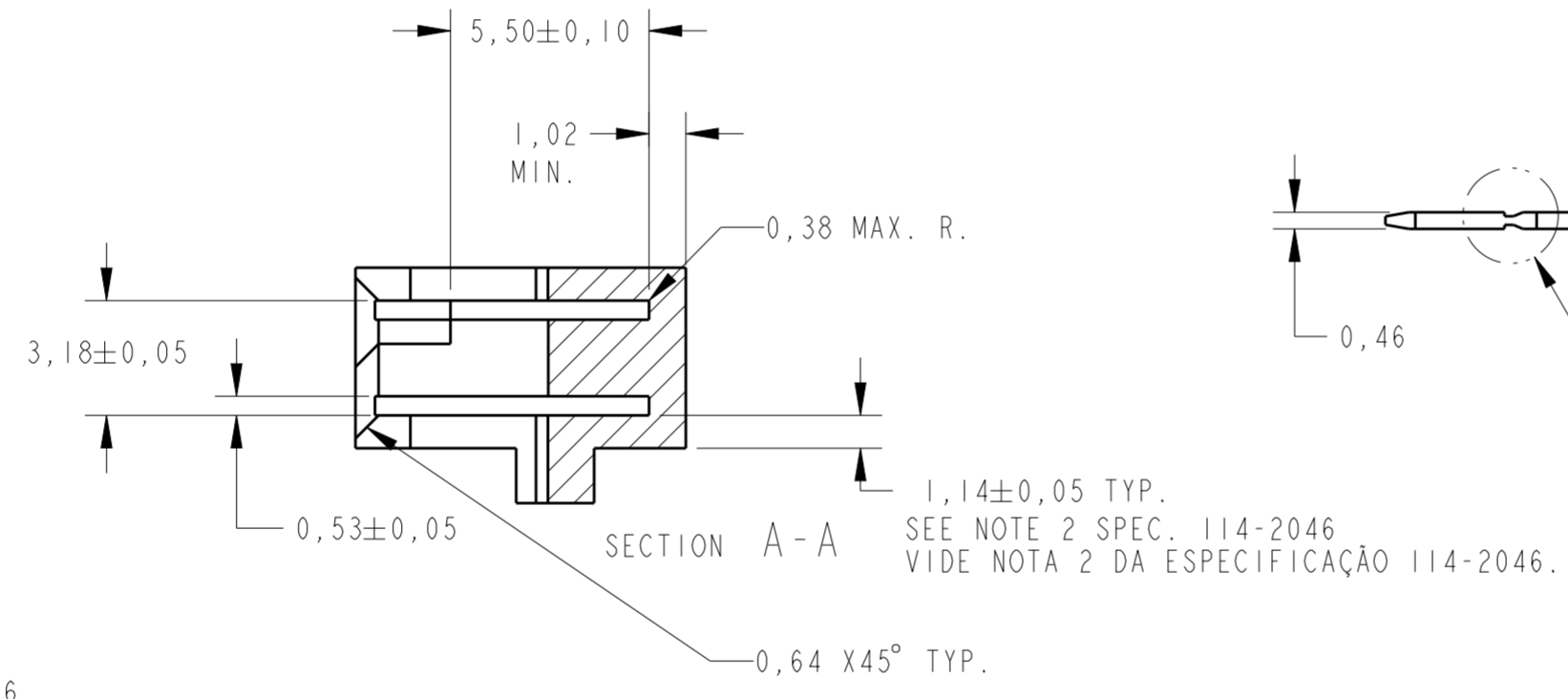
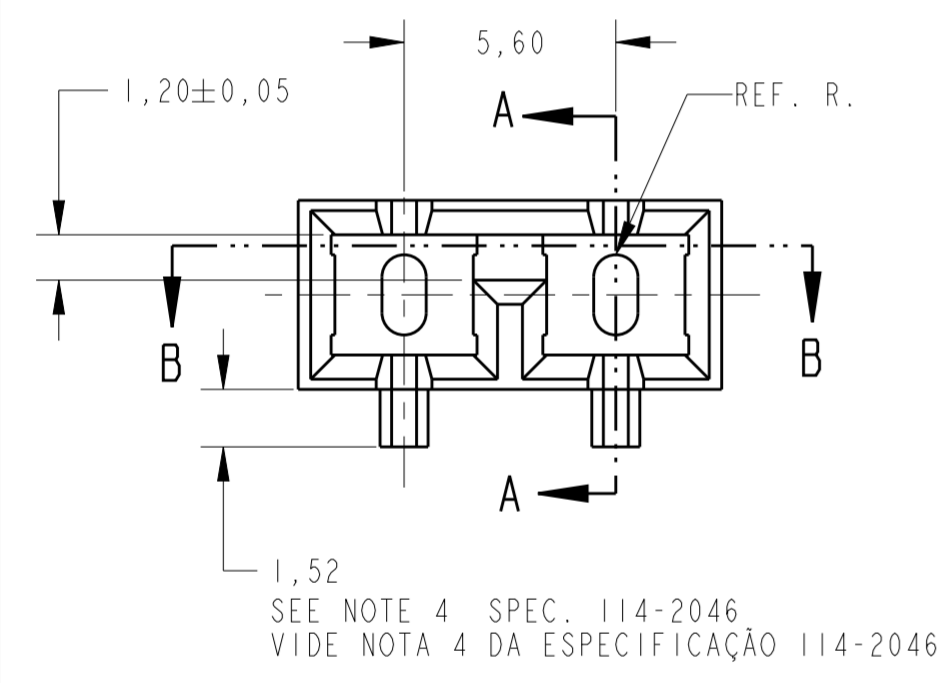
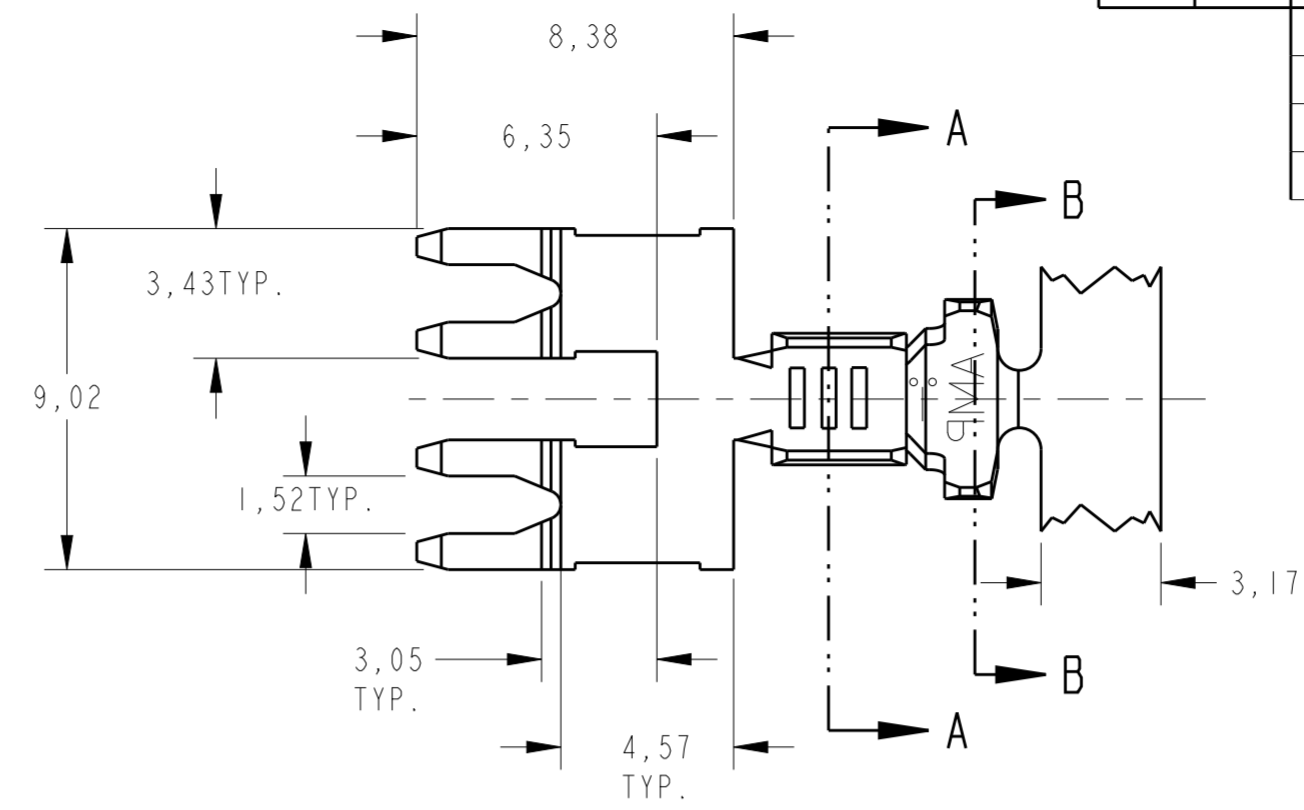
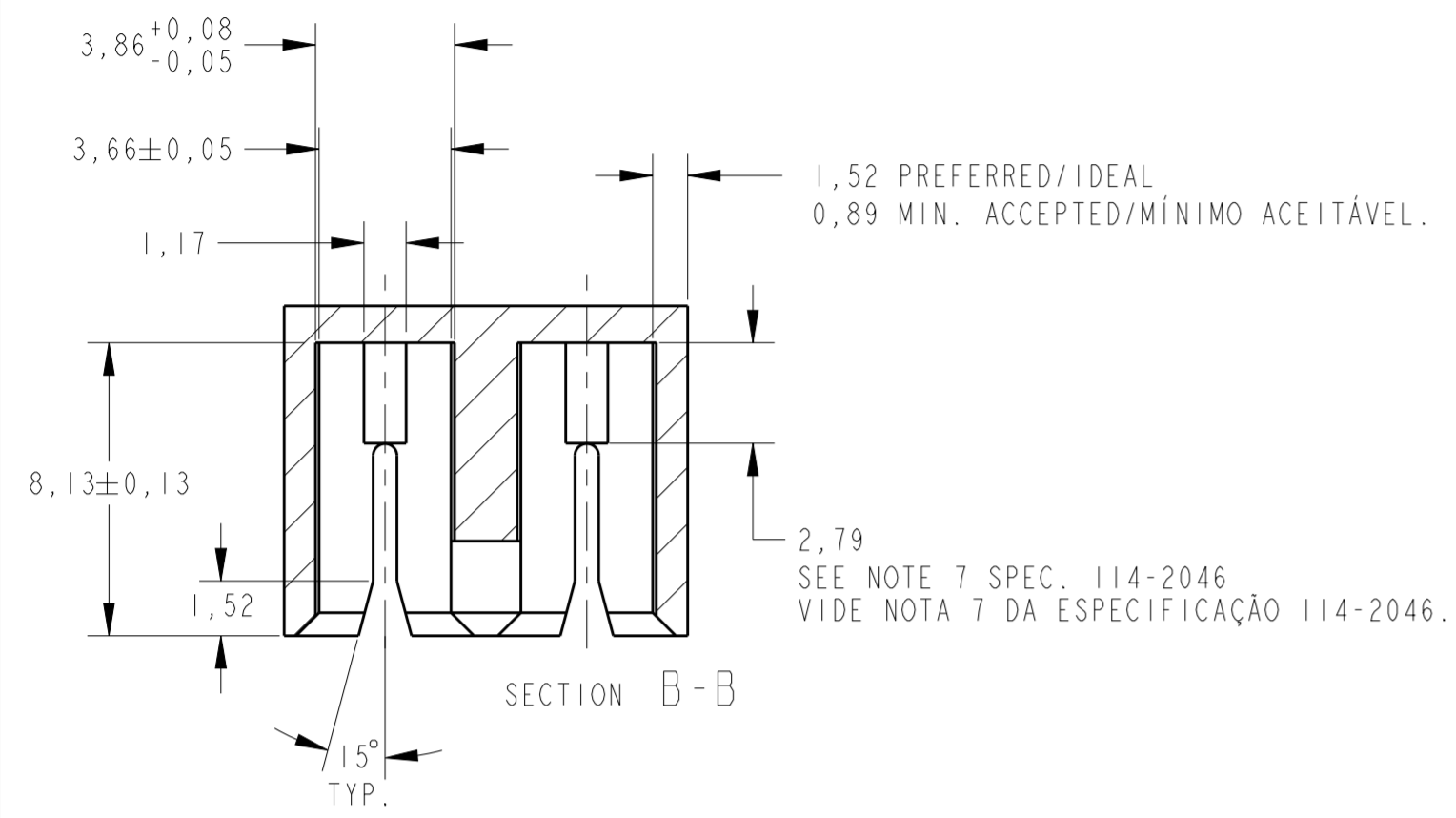
Address: A1208, Overseas Decoration Building, #122 Zhenhua RD., Futian, Shenzhen, China



THIS DRAWING IS UNPUBLISHED. RELEASED FOR PUBLICATION 20  
 © COPYRIGHT 20 BY - ALL RIGHTS RESERVED.

LOC		DIST		REVISIONS			
P	LTR	DESCRIPTION	DATE	DWN	APVD		
A		REVISED BY ECO-07-008483	12apr2007	H.C	WLS		
B		REV. BY ECO-13-013496	23AUG2013	HC	WLS		

CAVITY CONFIGURATION FOR MAG-MATE POKE-IN DUAL TAB USE  
 CONFIGURAÇÃO DA CAVIDADE PARA USO COM MAG-MATE POKE-IN DUAL TAB.



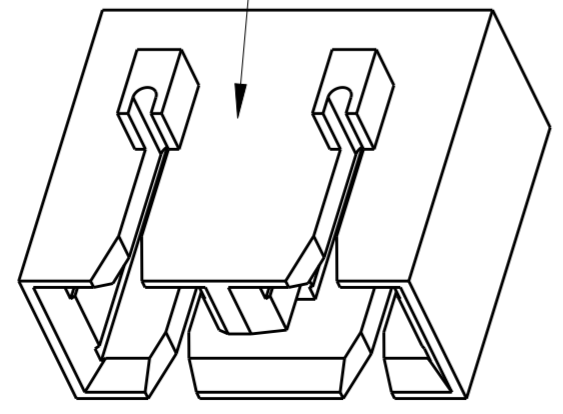
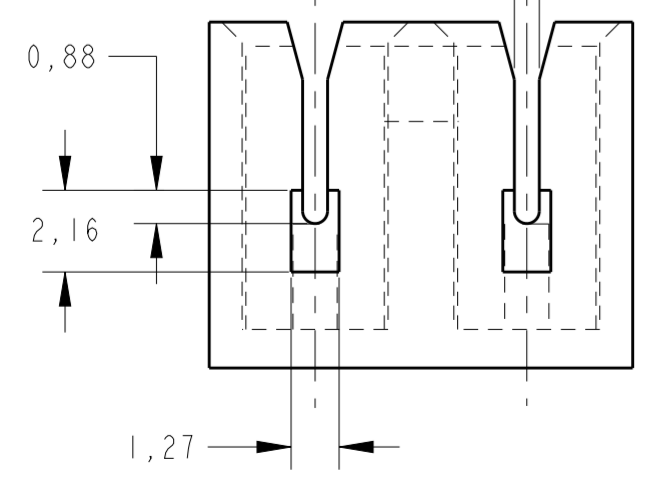
1- TERMINAL ACCEPTS 18-14 AWG (0,9/2,0mm<sup>2</sup>) MULTIFILAR CABLE WITH 2,3/3,6mm DIA. INSULATOR.  
 TERMINAL ACEITA CABO MULTIFILAR 18/14AWG (0,9/2,0mm<sup>2</sup>) COM Ø DO ISOLANTE 2,3/3,6mm.

2-FOR MORE INFORMATIONS ABOUT MAG-MATE CAVITIES CONSULT TYCO SPECIFICATION 114-2046.  
 PARA MAIORES INFORMAÇÕES SOBRE CAVIDADES MAG MATE CONSULTAR ESPECIFICAÇÃO TYCO 114-2046.

3-GENERAL TOLERANCES FOR MAG MATE CAVITIES ±0,1mm.  
 TOLERÂNCIAS GERAIS PARA CAVIDADES MAG-MATE ±0,1mm.

0,5 TO 0,10 SMALLER THAN WIRE DIAMETER  
 MENOR QUE O DIÂMETRO DO FIO

CAVITY MATERIAL: GLASS FILLED POLYESTER OR EQUIVALENT APPROVED BY PRODUCT ENGINEERING.  
 MATERIAL DA CAVIDADE: POLIESTER COM FIBRA DE VIDRO OU EQUIVALENTE APROVADO PELA ENGENHARIA DE PRODUTOS.



PRE-TIN/PRÉ ESTANHADO	BRASS/LATÃO	1599986-1
FINISH	MATERIAL	PART NUMBER

THIS DRAWING IS A CONTROLLED DOCUMENT.		DWN H.C. CANTER 31 JULY 2006	TE Connectivity	
DIMENSIONS: mm		CHK W.L. STEFANI 31 JULY 2006	NAME MAG-MATE POKE-IN DUAL TAB	
TOLERANCES UNLESS OTHERWISE SPECIFIED:		APVD	PRODUCT SPEC 108-22045	
0 PLC ±	1 PLC ±	APVD	APPLICATION SPEC 114-2050	
2 PLC ±0,3	3 PLC ±	WEIGHT	SIZE A2	
4 PLC ±	ANGLES ±1°	FINISH	CAGE CODE 00779	DRAWING NO C-1599986
MATERIAL SEE TABLE	FINISH SEE TABLE	CUSTOMER DRAWING	SCALE 5/1	SHEET 1 OF 1
			RESTRICTED TO	REV B