



Chipsmall Limited consists of a professional team with an average of over 10 year of expertise in the distribution of electronic components. Based in Hongkong, we have already established firm and mutual-benefit business relationships with customers from,Europe,America and south Asia,supplying obsolete and hard-to-find components to meet their specific needs.

With the principle of "Quality Parts,Customers Priority,Honest Operation,and Considerate Service",our business mainly focus on the distribution of electronic components. Line cards we deal with include Microchip,ALPS,ROHM,Xilinx,Pulse,ON,Everlight and Freescale. Main products comprise IC,Modules,Potentiometer,IC Socket,Relay,Connector.Our parts cover such applications as commercial,industrial, and automotives areas.

We are looking forward to setting up business relationship with you and hope to provide you with the best service and solution. Let us make a better world for our industry!



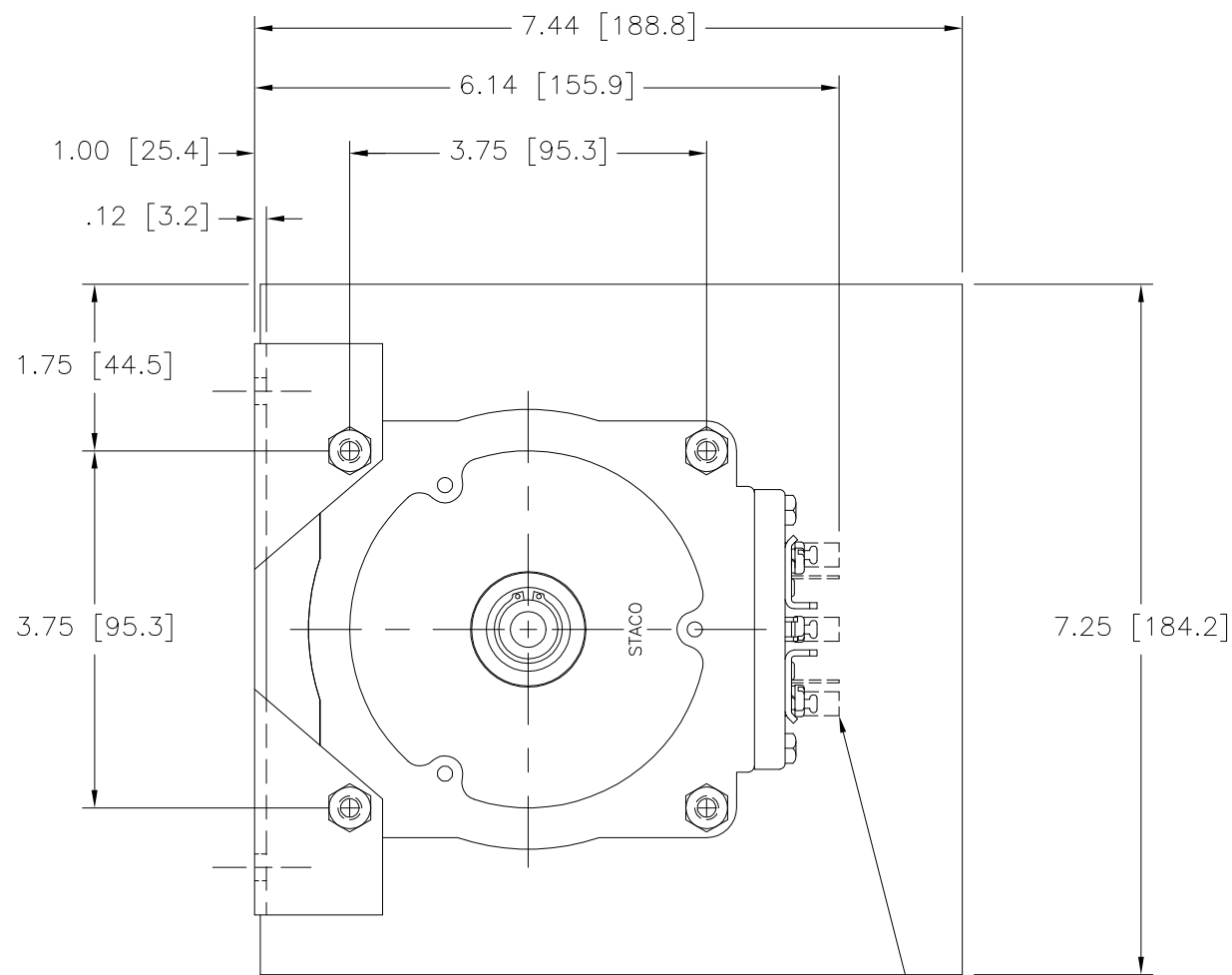
## Contact us

Tel: +86-755-8981 8866 Fax: +86-755-8427 6832

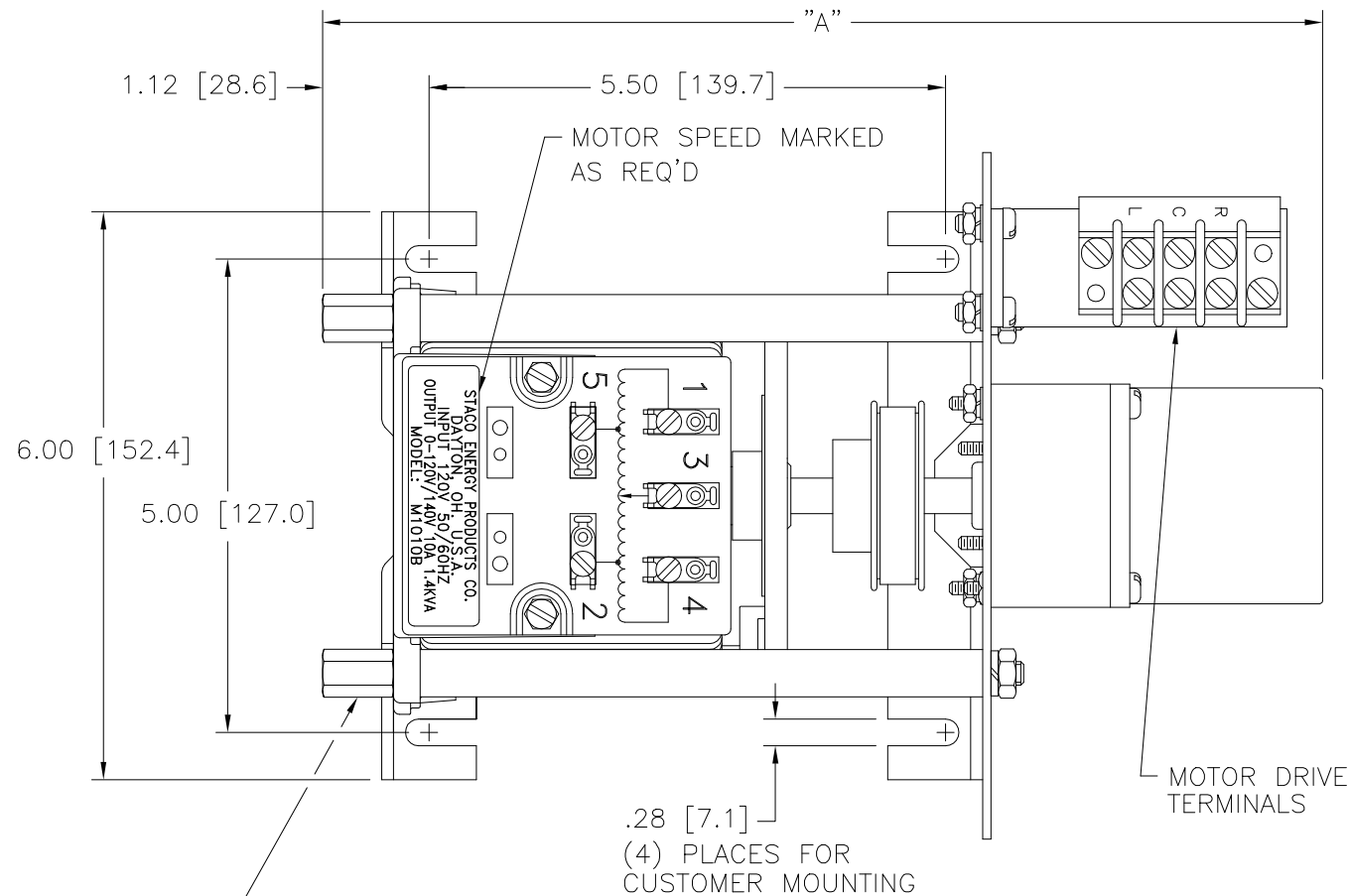
Email & Skype: info@chipsmall.com Web: www.chipsmall.com

Address: A1208, Overseas Decoration Building, #122 Zhenhua RD., Futian, Shenzhen, China

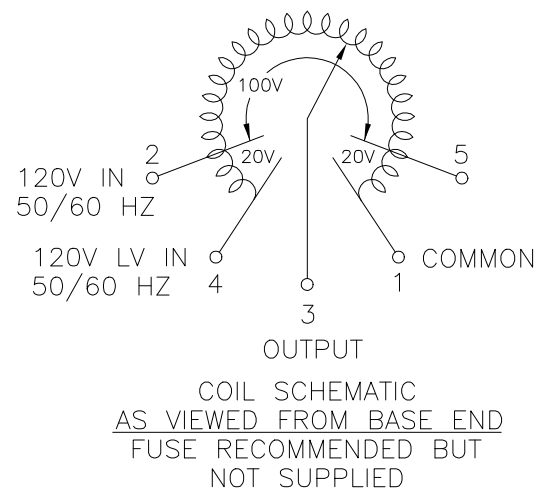




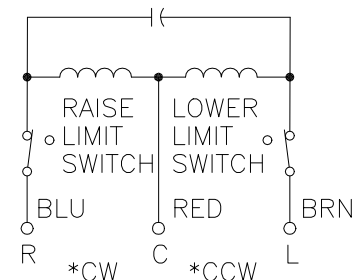
OPTIONAL TERMINALS FOR PUSH ON OR SOLDER CONNECTIONS (.032 X .250) [0.8 X 6.4]



(4) STANDOFFS TAPPED 1/4-28 X .38 [9.5] DEEP FOR MOUNTING BOLTS



COIL SCHEMATIC AS VIEWED FROM BASE END FUSE RECOMMENDED BUT NOT SUPPLIED



MOTOR CIRCUIT 120V, 50/60 HZ \* ROTATION AS VIEWED FROM MOTOR END MOTOR SPEED: SEE CHART

+ MOTOR DRIVEN UNITS USE TERMINAL CONNECTIONS FOR CCW INCREASING VOLTAGE, AS VIEWED FROM BASE END.

SPECIFICATIONS										
WIRING	INPUT		OUTPUT				SHAFT ROTATION TO INCREASE VOLTAGE	TERMINAL CONNECTIONS		
	VOLTS	HERTZ	VOLTS	CONSTANT CURRENT LOAD	CONSTANT IMPEDANCE LOAD	FOR INCREASING VOLTAGE AS VIEWED FROM BASE END +		INPUT	JUMPER	OUTPUT
SINGLE PHASE	120	50/60	0-120	MAX. AMPS 10	MAX. KVA 1.2	MAX. AMPS 13	MAX. KVA 1.56	CW	1-4	4-3
			0-140	10	1.4	—	—	CCW	1-4	1-3
								CW	4-5	4-3
								CCW	2-1	1-3

SPEED (SECONDS)	MODEL NUMBER	DIM "A"
5	5M1010B	10.56 [268.2]
15	15M1010B	10.56 [268.2]
30	30M1010B	10.95 [278.1]
60	60M1010B	10.95 [278.1]

UNLESS OTHERWISE SPECIFIED, TOLERANCE IS # DECIMALS .005 HOLES .002 ANGLES 1° DRAFT 1-1/2° UNITS IN [mm] MATERIAL: ALL DIMENSIONS APPLY AFTER PLATING

TITLE: SPEC. CONTROL DRAWING MOTORIZED VARIABLE XFMR MODEL: M1010B

DRAWN BY: S.A. SMITH DATE: 9/18/97 FIRST USED ON: DO NOT SCALE DWG. CUSTOMER APPROVAL: DATE: CHECKER: DATE: WEIGHT APPROX. 16.75 CODE IDENT. NO. 83008 DWG. NO. 031-1710 ENGINEER: DATE: SCALE 1=1 SHEET 1 OF 1

**STACO** ENERGY PRODUCTS CO. A COMPONENTS CORPORATION OF AMERICA COMPANY DAYTON, OHIO U.S.A.