



Chipsmall Limited consists of a professional team with an average of over 10 year of expertise in the distribution of electronic components. Based in Hongkong, we have already established firm and mutual-benefit business relationships with customers from,Europe,America and south Asia,supplying obsolete and hard-to-find components to meet their specific needs.

With the principle of "Quality Parts,Customers Priority,Honest Operation,and Considerate Service",our business mainly focus on the distribution of electronic components. Line cards we deal with include Microchip,ALPS,ROHM,Xilinx,Pulse,ON,Everlight and Freescale. Main products comprise IC,Modules,Potentiometer,IC Socket,Relay,Connector.Our parts cover such applications as commercial,industrial, and automotives areas.

We are looking forward to setting up business relationship with you and hope to provide you with the best service and solution. Let us make a better world for our industry!



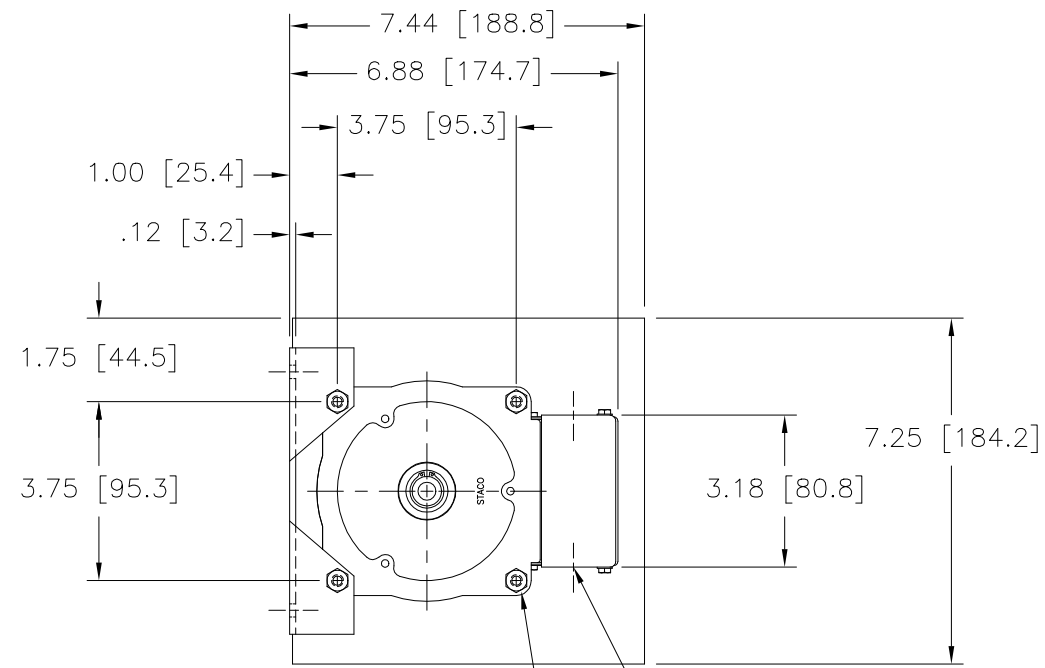
Contact us

Tel: +86-755-8981 8866 Fax: +86-755-8427 6832

Email & Skype: info@chipsmall.com Web: www.chipsmall.com

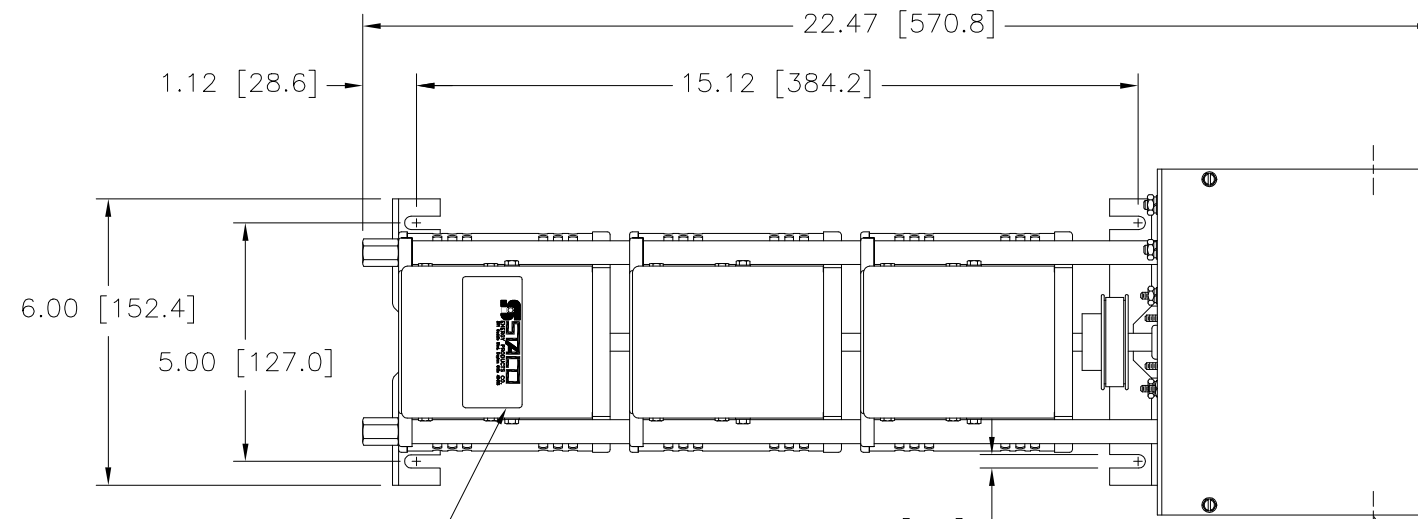
Address: A1208, Overseas Decoration Building, #122 Zhenhua RD., Futian, Shenzhen, China





(4) STANDOFFS TAPPED
1/4-28 X .38 [9.5] DEEP
FOR MOUNTING BOLTS

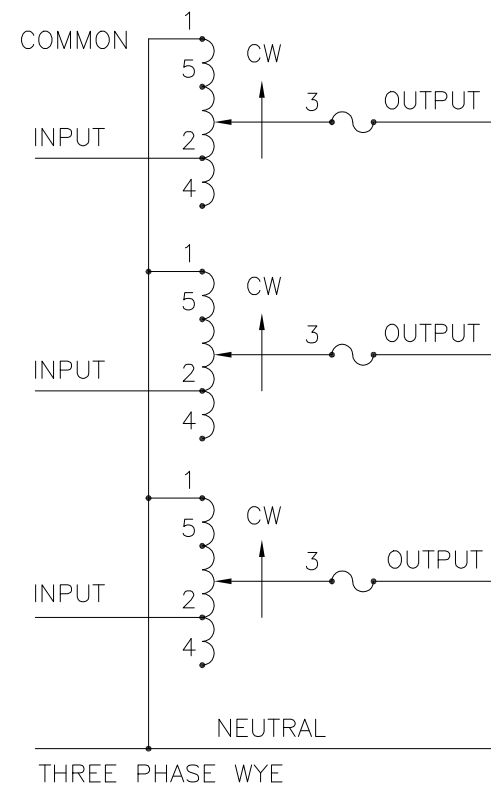
.88 [22.2] DIA. KNOCKOUT
(6) PLACES FOR
WIRING CONNECTIONS



NAMEPLATE

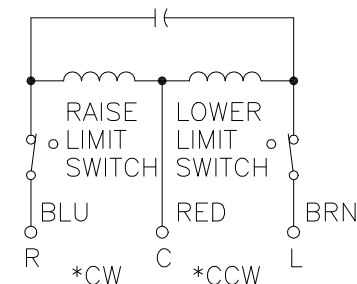
.28 [7.1]
(4) PLACES FOR
CUSTOMER MOUNTING

.88 [22.2] DIA. KNOCKOUT
(4) PLACES FOR
MOTOR CONNECTIONS



SCHEMATIC

FUSE RECOMMENDED BUT NOT SUPPLIED



MOTOR CIRCUIT
120V, 50/60 HZ
* ROTATION AS VIEWED
FROM MOTOR END
MOTOR SPEED: SEE CHART

- ++ LINE TO LINE VOLTAGE
- + MOTOR DRIVEN UNITS USE TERMINAL CONNECTIONS FOR CCW INCREASING VOLTAGE, AS VIEWED FROM BASE END.
- π IF GANGED UNITS ARE USED IN A SYSTEM THAT ORDINARILY HAS A COMMON NEUTRAL OR GROUND BETWEEN SOURCE AND LOAD, THE NEUTRAL OR GROUND MUST BE CONNECTED TO THE COMMON TERMINALS OF THE VARIABLE TRANSFORMER ASSEMBLY. IF THE SYSTEM HAS NO NEUTRAL, THE LOAD MUST BE BALANCED OR THE TRANSFORMERS WILL BE DAMAGED.
- JUMPER PROVIDED IN THE STANDARD COMMON POSITION AND SHOULD BE MOVED OR REMOVED AS REQUIRED.

SPEED (SECONDS)	MODEL NUMBER
5	5M1010BCT-3
15	15M1010BCT-3
30	30M1010BCT-3
60	60M1010BCT-3

WIRING	INPUT		OUTPUT				SHAFT ROTATION TO INCREASE VOLTAGE	TERMINAL CONNECTIONS			
	VOLTS	HERTZ	VOLTS	CONSTANT CURRENT LOAD		CONSTANT IMPEDANCE LOAD		FOR INCREASING VOLTAGE AS VIEWED FROM BASE END +			
				MAX. AMPS	MAX. KVA	MAX. AMPS		MAX. KVA	INPUT	JUMPER	OUTPUT
THREE PHASE WYE π	240	50/60	0-240	10	4.16	13	5.4	CW	1-1-1	4-4-4	3-3-3
			0-280	10	4.85	—	—	CCW	4-4-4	1-1-1	3-3-3
	++	60	0-240	10	4.85	—	—	CW	5-5-5	4-4-4	3-3-3
			0-280	10	4.85	—	—	CCW	2-2-2	1-1-1	3-3-3

UNLESS OTHERWISE SPECIFIED, TOLERANCE IS #		UNITS		TITLE: SPEC. CONTROL DRAWING		DO NOT SCALE DWG.		CUSTOMER APPROVAL		DATE	
DECIMALS	Holes .002	ANGLES 1°	DRAFT 1-1/2°	IN [mm]	MOTORIZED VARIABLE XFMR		SCALE DWG.		DATE		
XX .0005					MODEL: M1010BCT-3		SCALE DWG.		DATE		
MATERIAL:				DRAWN BY S.A. SMITH		DATE 9/22/97		FIRST USED ON		CUSTOMER APPROVAL	
The information and design disclosed herein was originated by and is the property of STACO ENERGY PRODUCTS CO., which reserves all patent, proprietary, design, manufacturing, reproduction, use and sale rights thereto, and to any article disclosed therein except to the extent rights are expressly granted to others. The foregoing does not apply to vendor proprietary parts.				CHECKER		DATE		WEIGHT APPROX. 42 LBS		CODE IDENT. NO. 83008	
				ENGINEER		DATE		SCALE .50=1		SHEET 1 of 1	

