



Chipsmall Limited consists of a professional team with an average of over 10 year of expertise in the distribution of electronic components. Based in Hongkong, we have already established firm and mutual-benefit business relationships with customers from,Europe,America and south Asia,supplying obsolete and hard-to-find components to meet their specific needs.

With the principle of “Quality Parts,Customers Priority,Honest Operation,and Considerate Service”,our business mainly focus on the distribution of electronic components. Line cards we deal with include Microchip,ALPS,ROHM,Xilinx,Pulse,ON,Everlight and Freescale. Main products comprise IC,Modules,Potentiometer,IC Socket,Relay,Connector.Our parts cover such applications as commercial,industrial, and automotives areas.

We are looking forward to setting up business relationship with you and hope to provide you with the best service and solution. Let us make a better world for our industry!



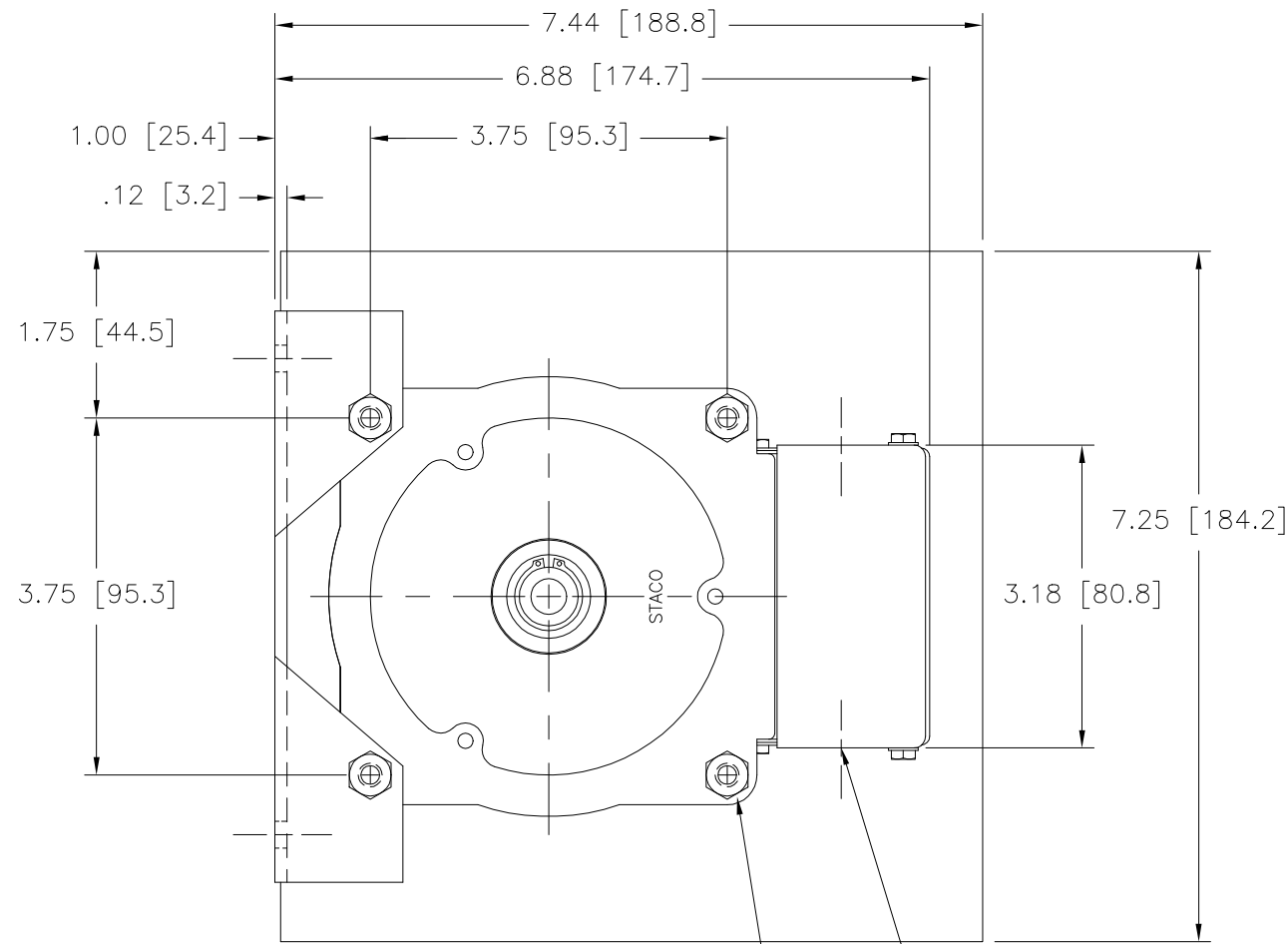
Contact us

Tel: +86-755-8981 8866 Fax: +86-755-8427 6832

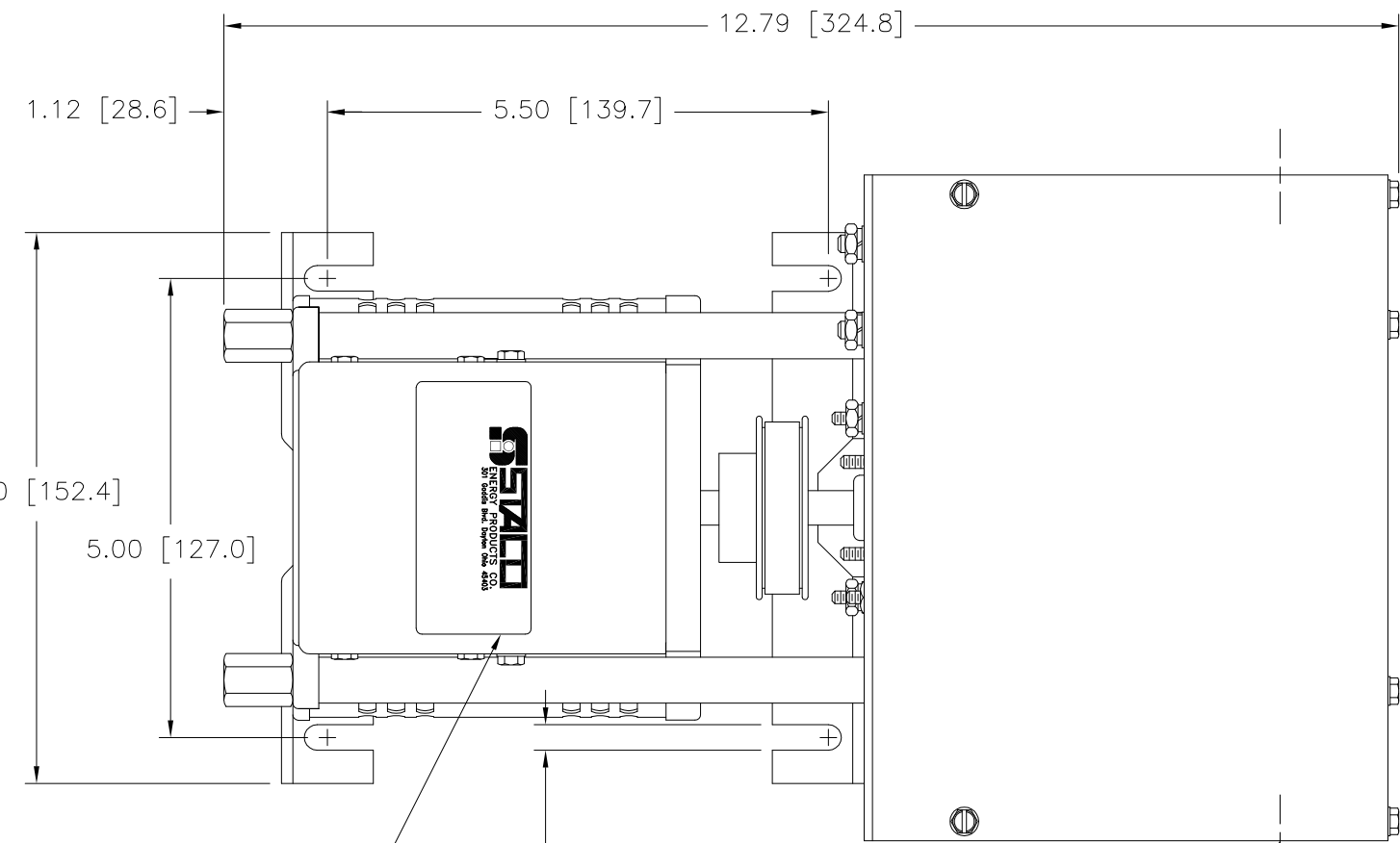
Email & Skype: info@chipsmall.com Web: www.chipsmall.com

Address: A1208, Overseas Decoration Building, #122 Zhenhua RD., Futian, Shenzhen, China

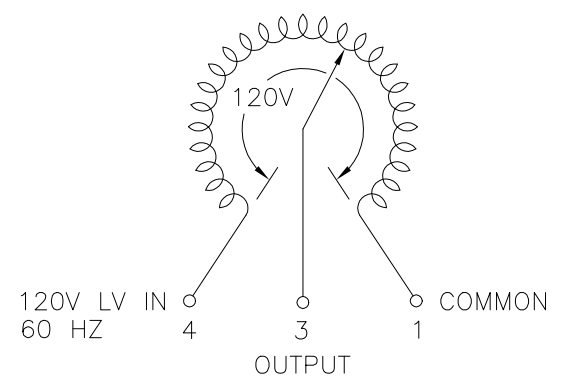




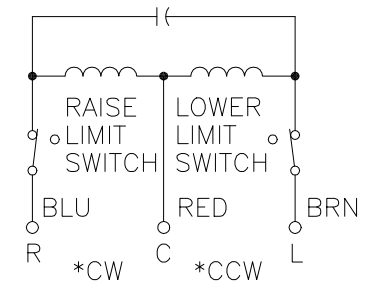
(4) STANDOFFS TAPPED 1/4-28 X .38 [9.5] DEEP FOR MOUNTING BOLTS
 .88 [22.2] DIA. KNOCKOUT (2) PLACES FOR WIRING CONNECTIONS



NAMEPLATE
 .28 [7.1] (4) PLACES FOR CUSTOMER MOUNTING
 .88 [22.2] DIA. KNOCKOUT (4) PLACES FOR MOTOR CONNECTIONS



SCHEMATIC VIEW FROM BASE END
 FUSE RECOMMENDED BUT NOT SUPPLIED



MOTOR CIRCUIT
 120V, 50/60 HZ
 * ROTATION AS VIEWED FROM MOTOR END
 MOTOR SPEED: SEE CHART

+ MOTOR DRIVEN UNITS USE TERMINAL CONNECTIONS FOR CCW INCREASING VOLTAGE, AS VIEWED FROM BASE END.

WIRING	SPECIFICATIONS								TERMINAL CONNECTIONS		
	INPUT		OUTPUT				SHAFT ROTATION TO INCREASE VOLTAGE	FOR INCREASING VOLTAGE AS VIEWED FROM BASE END +			
	VOLTS	HERTZ	VOLTS	CONSTANT CURRENT LOAD	CONSTANT IMPEDANCE LOAD	INPUT		JUMPER	OUTPUT		
SINGLE PHASE	120	60	0-120	MAX. AMPS	MAX. KVA	MAX. AMPS	MAX. KVA	CW	1-4	---	4-3
				12	1.44	15	1.80	CCW	1-4	---	1-3

SPEED (SECONDS)	MODEL NUMBER
5	5M1210BCT
15	15M1210BCT
30	30M1210BCT
60	60M1210BCT

UNLESS OTHERWISE SPECIFIED, TOLERANCE IS # DECIMALS .005
 HOLES .002 ANGLES 1° DRAFT 1-1/2°
 MATERIAL: ALL DIMENSIONS APPLY AFTER PLATING

UNIT: IN [mm]

WEIGHT APPROX. 16.75 LBS
 CODE IDENT. NO. 83008
 SCALE 1=1 SHEET 1 OF 1

TITLE: SPEC. CONTROL DRAWING
 MOTORIZED VARIABLE XFMR.
 MODEL: M1210BCT

DRAWN BY S.A. SMITH DATE 9/25/97
 CHECKER DATE
 ENGINEER DATE

DO NOT SCALE DWG.
 CUSTOMER APPROVAL DATE

DWG. NO. 031-3160

