



Chipsmall Limited consists of a professional team with an average of over 10 year of expertise in the distribution of electronic components. Based in Hongkong, we have already established firm and mutual-benefit business relationships with customers from,Europe,America and south Asia,supplying obsolete and hard-to-find components to meet their specific needs.

With the principle of “Quality Parts,Customers Priority,Honest Operation,and Considerate Service”,our business mainly focus on the distribution of electronic components. Line cards we deal with include Microchip,ALPS,ROHM,Xilinx,Pulse,ON,Everlight and Freescale. Main products comprise IC,Modules,Potentiometer,IC Socket,Relay,Connector.Our parts cover such applications as commercial,industrial, and automotives areas.

We are looking forward to setting up business relationship with you and hope to provide you with the best service and solution. Let us make a better world for our industry!



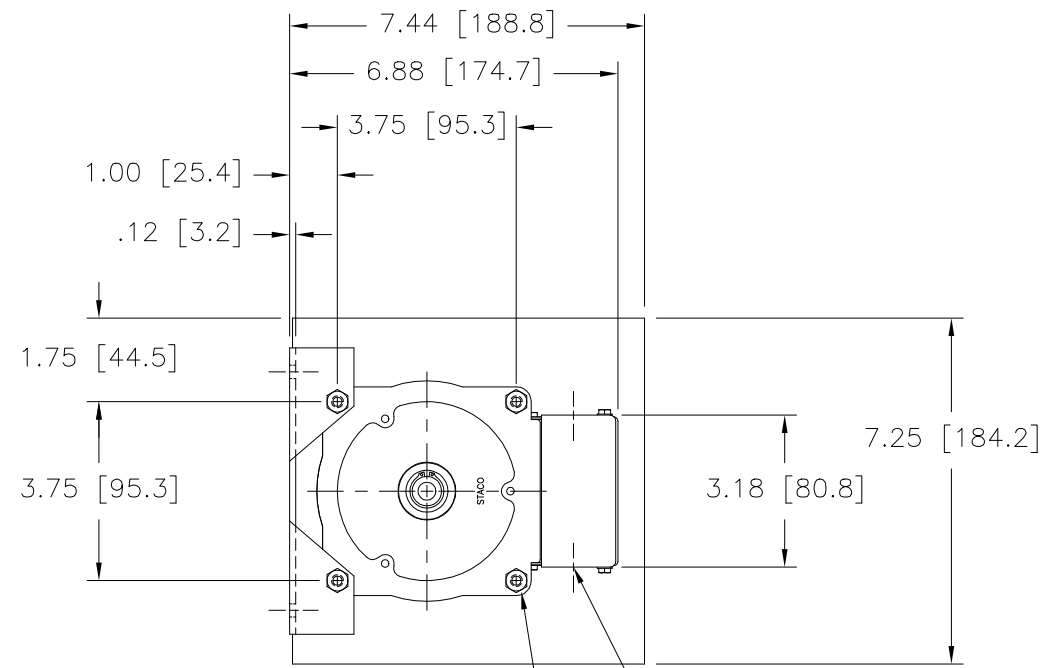
Contact us

Tel: +86-755-8981 8866 Fax: +86-755-8427 6832

Email & Skype: info@chipsmall.com Web: www.chipsmall.com

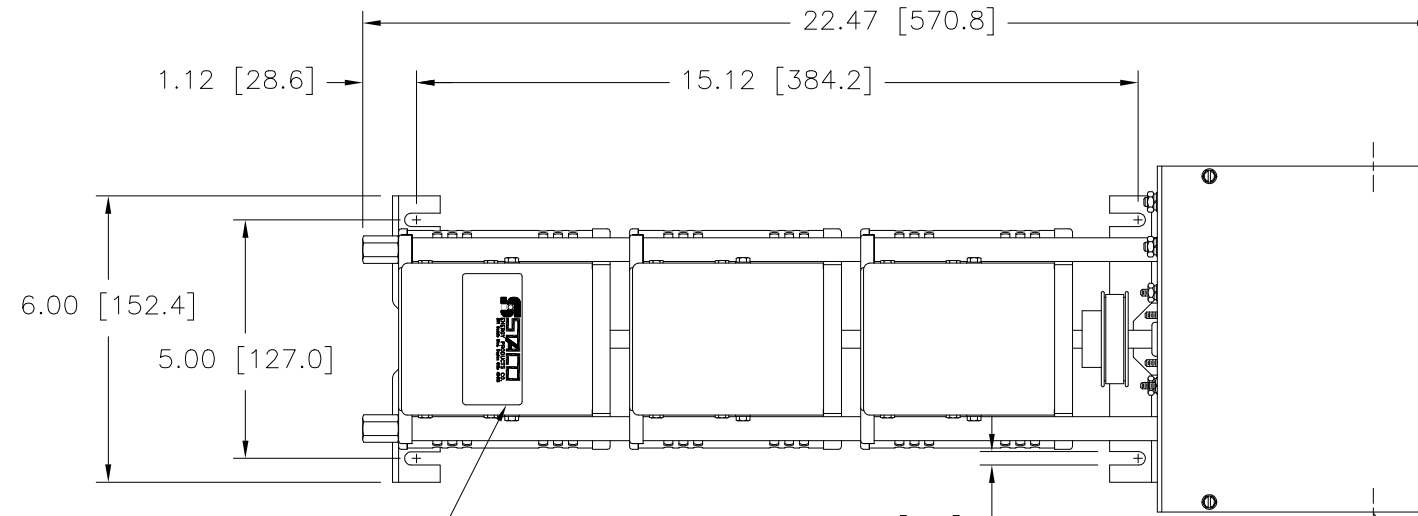
Address: A1208, Overseas Decoration Building, #122 Zhenhua RD., Futian, Shenzhen, China





(4) STANDOFFS TAPPED
 1/4-28 X .38 [9.5] DEEP
 FOR MOUNTING BOLTS

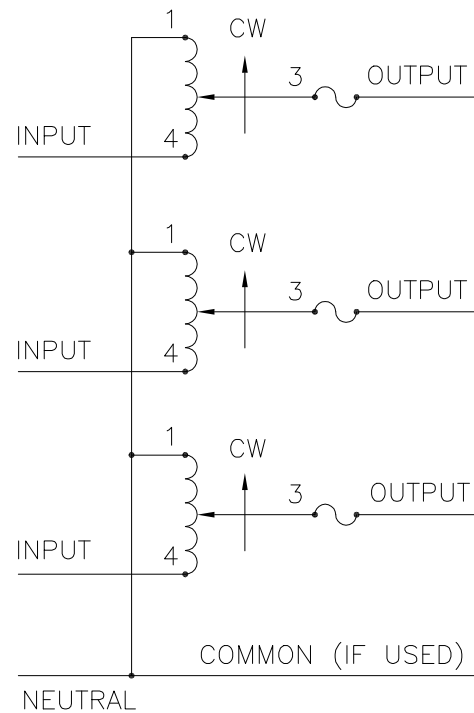
.88 [22.2] DIA. KNOCKOUT
 (6) PLACES FOR
 WIRING CONNECTIONS



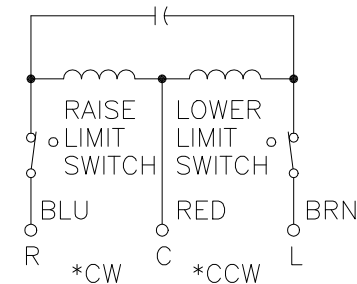
NAMEPLATE

.28 [7.1]
 (4) PLACES FOR
 CUSTOMER MOUNTING

.88 [22.2] DIA. KNOCKOUT
 (4) PLACES FOR
 MOTOR CONNECTIONS



SCHEMATIC
 FUSE RECOMMENDED BUT NOT SUPPLIED



MOTOR CIRCUIT
 120V, 50/60 HZ
 * ROTATION AS VIEWED
 FROM MOTOR END
 MOTOR SPEED: SEE CHART

- ++ LINE TO LINE VOLTAGE
- + MOTOR DRIVEN UNITS USE TERMINAL CONNECTIONS FOR CCW INCREASING VOLTAGE, AS VIEWED FROM BASE END.
- π IF GANGED UNITS ARE USED IN A SYSTEM THAT ORDINARILY HAS A COMMON NEUTRAL OR GROUND BETWEEN SOURCE AND LOAD, THE NEUTRAL OR GROUND MUST BE CONNECTED TO THE COMMON TERMINALS OF THE VARIABLE TRANSFORMER ASSEMBLY. IF THE SYSTEM HAS NO NEUTRAL, THE LOAD MUST BE BALANCED OR THE TRANSFORMERS WILL BE DAMAGED.
- JUMPER PROVIDED IN THE STANDARD COMMON POSITION AND SHOULD BE MOVED OR REMOVED AS REQUIRED.

| SPEED (SECONDS) | MODEL NUMBER |
|-----------------|--------------|
| 5 | 5M1220BCT-3 |
| 15 | 15M1220BCT-3 |
| 30 | 30M1220BCT-3 |
| 60 | 60M1220BCT-3 |

| WIRING | INPUT | | OUTPUT | | | | SHAFT ROTATION TO INCREASE VOLTAGE | TERMINAL CONNECTIONS | | | |
|-------------------|--------|-------|--------|-----------------------|----------|-------------------------|------------------------------------|--|-------|----------|--------|
| | VOLTS | HERTZ | VOLTS | CONSTANT CURRENT LOAD | | CONSTANT IMPEDANCE LOAD | | FOR INCREASING VOLTAGE AS VIEWED FROM BASE END + | | | |
| | | | | MAX. AMPS | MAX. KVA | MAX. AMPS | | MAX. KVA | INPUT | JUMPER ■ | OUTPUT |
| THREE PHASE WYE π | 480 ++ | 60 | 0-480 | 5.0 | 4.16 | 7.0 | 5.82 | CW | 1-1-1 | 4-4-4 | 3-3-3 |
| | | | | | | | | CCW | 4-4-4 | 1-1-1 | 3-3-3 |

UNLESS OTHERWISE SPECIFIED, TOLERANCE IS # DECIMALS .002 .005 .010 .015 .020 .030 .040 .050 .060 .070 .080 .090 .100 .150 .200 .300 .400 .500 .600 .700 .800 .900 1.000 1.500 2.000 3.000 4.000 5.000 6.000 8.000 10.000 Holes .002 .005 .010 .015 .020 .030 .040 .050 .060 .070 .080 .090 .100 .150 .200 .300 .400 .500 .600 .700 .800 .900 1.000 1.500 2.000 3.000 4.000 5.000 6.000 8.000 10.000 ANGLES 1° 1-1/2° DRAFT 1-1/2° UNITS IN [mm]

TITLE: SPEC. CONTROL DRAWING
 MOTORIZED VARIABLE XFMR
 MODEL: M1220BCT-3

MATERIAL: ALL DIMENSIONS APPLY AFTER PLATING

DRAWN BY S.A. SMITH DATE 9/26/97 FIRST USED ON DO NOT SCALE DWG. CUSTOMER APPROVAL DATE

CHECKER DATE WEIGHT APPROX. 42 LBS CODE IDENT. NO. 83008 DWG. NO. 031-3520

ENGINEER DATE SCALE .50=1 SHEET 1 OF 1

STACO ENERGY PRODUCTS CO. A COMPONENTS CORPORATION OF AMERICA COMPANY DAYTON, OHIO U.S.A.