



Chipsmall Limited consists of a professional team with an average of over 10 year of expertise in the distribution of electronic components. Based in Hongkong, we have already established firm and mutual-benefit business relationships with customers from,Europe,America and south Asia,supplying obsolete and hard-to-find components to meet their specific needs.

With the principle of “Quality Parts,Customers Priority,Honest Operation,and Considerate Service”,our business mainly focus on the distribution of electronic components. Line cards we deal with include Microchip,ALPS,ROHM,Xilinx,Pulse,ON,Everlight and Freescale. Main products comprise IC,Modules,Potentiometer,IC Socket,Relay,Connector.Our parts cover such applications as commercial,industrial, and automotives areas.

We are looking forward to setting up business relationship with you and hope to provide you with the best service and solution. Let us make a better world for our industry!



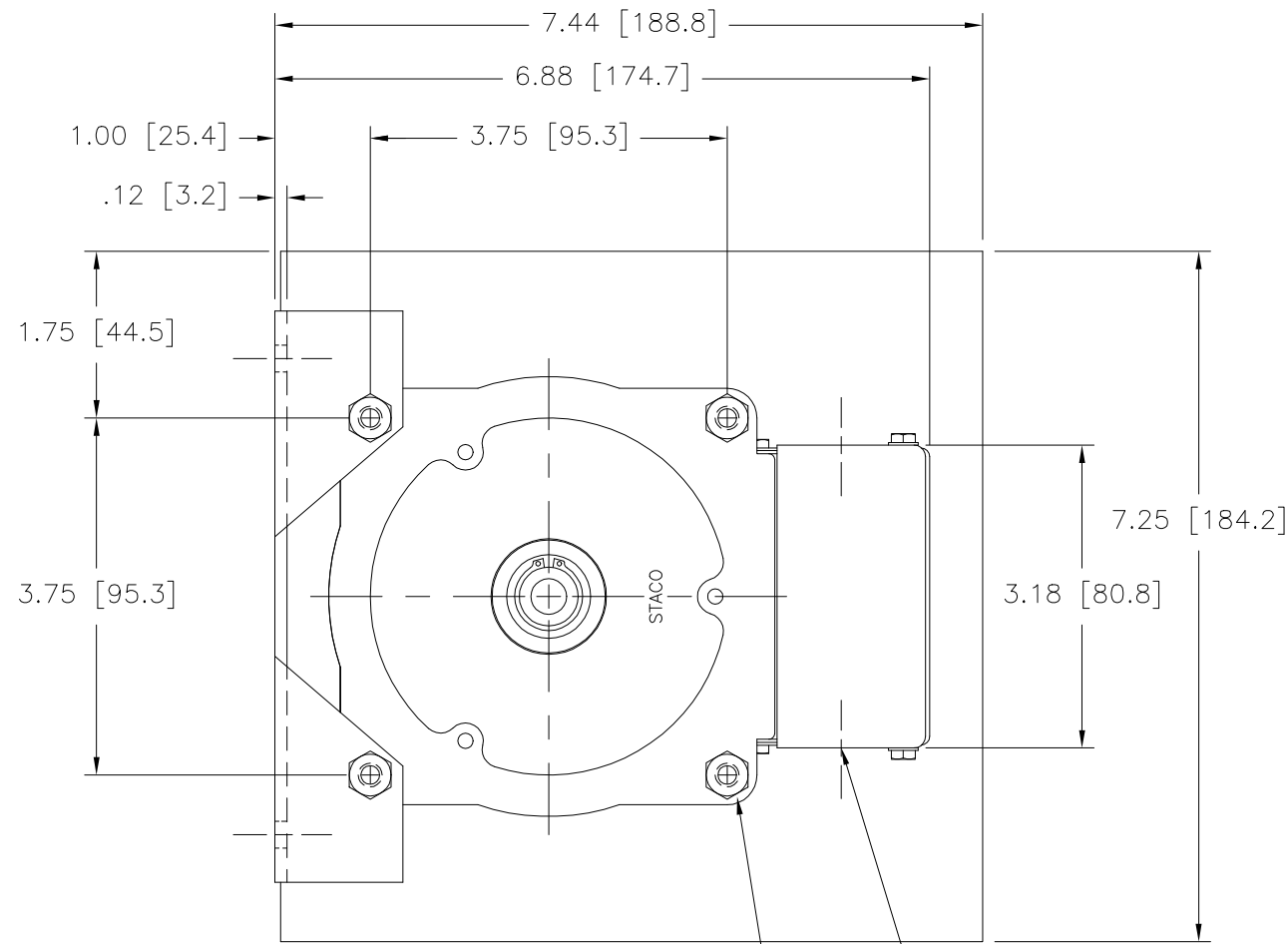
Contact us

Tel: +86-755-8981 8866 Fax: +86-755-8427 6832

Email & Skype: info@chipsmall.com Web: www.chipsmall.com

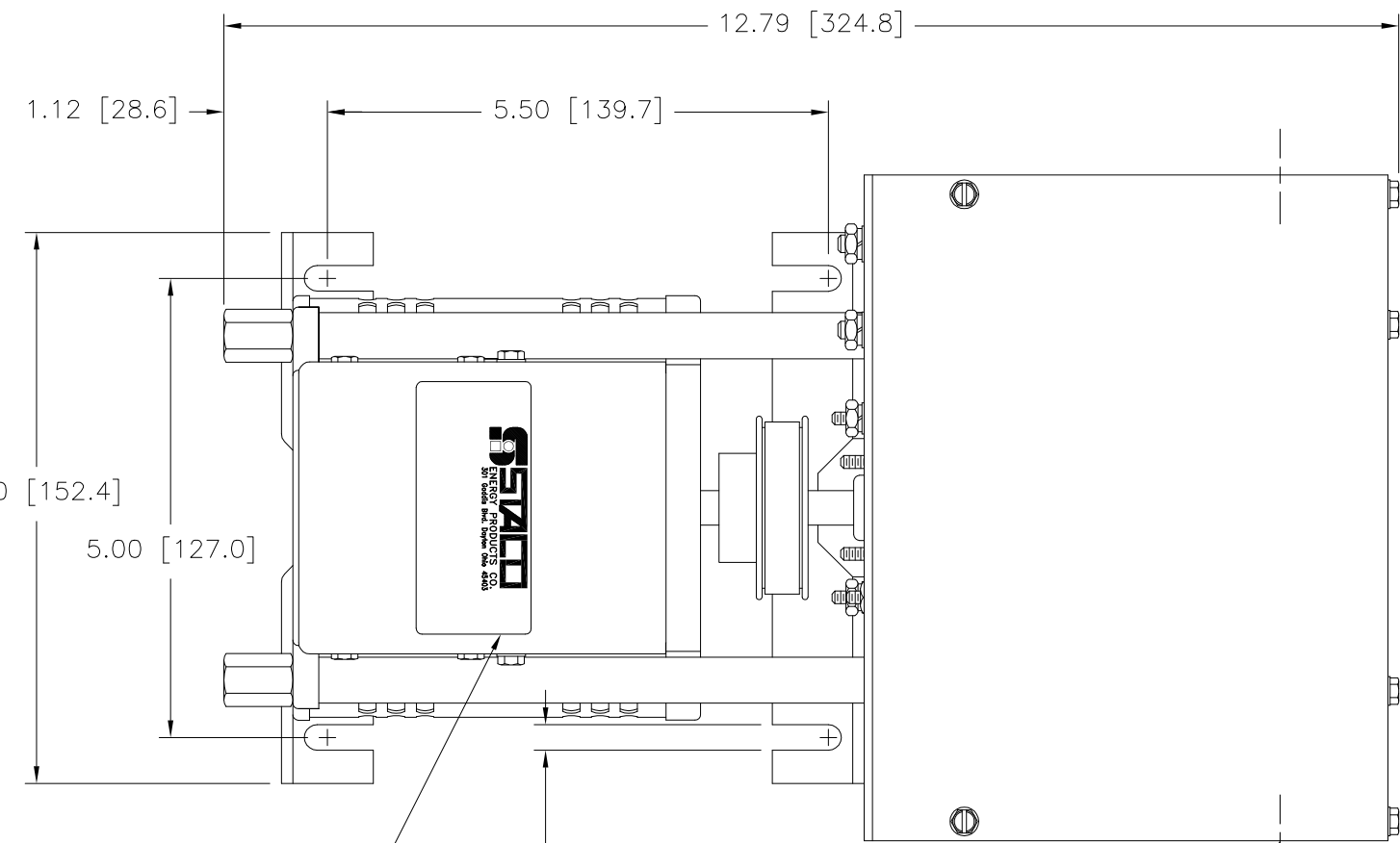
Address: A1208, Overseas Decoration Building, #122 Zhenhua RD., Futian, Shenzhen, China





(4) STANDOFFS TAPPED
 1/4-28 X .38 [9.5] DEEP
 FOR MOUNTING BOLTS

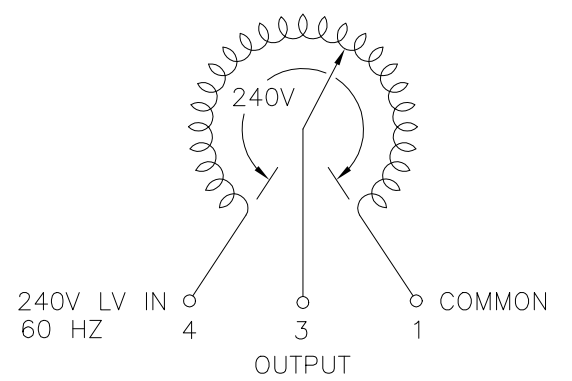
.88 [22.2] DIA. KNOCKOUT
 (2) PLACES FOR
 WIRING CONNECTIONS



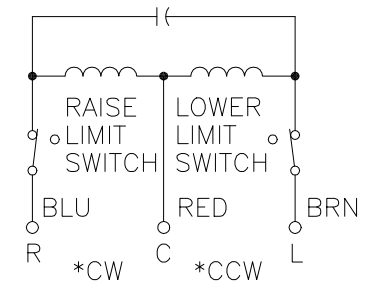
NAMEPLATE

.28 [7.1]
 (4) PLACES FOR
 CUSTOMER MOUNTING

.88 [22.2] DIA. KNOCKOUT
 (4) PLACES FOR
 MOTOR CONNECTIONS



SCHEMATIC
 VIEW FROM BASE END
 FUSE RECOMMENDED BUT NOT SUPPLIED



MOTOR CIRCUIT
 120V, 50/60 HZ
 * ROTATION AS VIEWED
 FROM MOTOR END
 MOTOR SPEED: SEE CHART

+ MOTOR DRIVEN UNITS USE TERMINAL CONNECTIONS FOR CCW INCREASING VOLTAGE, AS VIEWED FROM BASE END.

WIRING	INPUT		OUTPUT				SHAFT ROTATION TO INCREASE VOLTAGE	TERMINAL CONNECTIONS			
	VOLTS	HERTZ	VOLTS	CONSTANT CURRENT LOAD		CONSTANT IMPEDANCE LOAD		FOR INCREASING VOLTAGE AS VIEWED FROM BASE END +			
				MAX. AMPS	MAX. KVA	MAX. AMPS		MAX. KVA	INPUT	JUMPER	OUTPUT
SINGLE PHASE	240	60	0-240	5.0	1.20	7.0	1.68	CW	1-4	---	4-3
								CCW	1-4	---	1-3

SPEED (SECONDS)	MODEL NUMBER
5	5M1220BCT
15	15M1220BCT
30	30M1220BCT
60	60M1220BCT

UNLESS OTHERWISE SPECIFIED, TOLERANCE IS # DECIMALS HOLES .002 ANGLES 1° DRAFT 1-1/2° UNITS IN [mm]

MATERIAL: ALL DIMENSIONS APPLY AFTER PLATING

THE INFORMATION AND DESIGN DISCLOSED HEREIN WAS ORIGINATED BY AND IS THE PROPERTY OF STACO ENERGY PRODUCTS CO., WHICH RESERVES ALL PATENT, PROPRIETARY, DESIGN, MANUFACTURING, REPRODUCTION, USE AND SALE RIGHTS THEREIN, AND TO ANY ARTICLE DISCLOSED THEREIN EXCEPT TO THE EXTENT RIGHTS ARE EXPRESSLY GRANTED TO OTHERS. THE FOREGOING DOES NOT APPLY TO VENDOR PROPRIETARY PARTS.

WEIGHT APPROX. 16.75 LBS
 CODE IDENT. NO. 83008
 SCALE 1=1 SHEET 1 OF 1

DATE 9/26/97
 DRAWN BY S.A. SMITH
 CHECKER
 ENGINEER

DATE
 DATE
 DATE

DO NOT SCALE DWG.
 CUSTOMER APPROVAL

DATE

STACO ENERGY PRODUCTS CO.
 A COMPONENTS CORPORATION OF AMERICA COMPANY
 DAYTON, OHIO U.S.A.

DATE 4/26/00
 DWG. NO. 031-3460