



Chipsmall Limited consists of a professional team with an average of over 10 year of expertise in the distribution of electronic components. Based in Hongkong, we have already established firm and mutual-benefit business relationships with customers from,Europe,America and south Asia,supplying obsolete and hard-to-find components to meet their specific needs.

With the principle of “Quality Parts,Customers Priority,Honest Operation,and Considerate Service”,our business mainly focus on the distribution of electronic components. Line cards we deal with include Microchip,ALPS,ROHM,Xilinx,Pulse,ON,Everlight and Freescale. Main products comprise IC,Modules,Potentiometer,IC Socket,Relay,Connector.Our parts cover such applications as commercial,industrial, and automotives areas.

We are looking forward to setting up business relationship with you and hope to provide you with the best service and solution. Let us make a better world for our industry!



Contact us

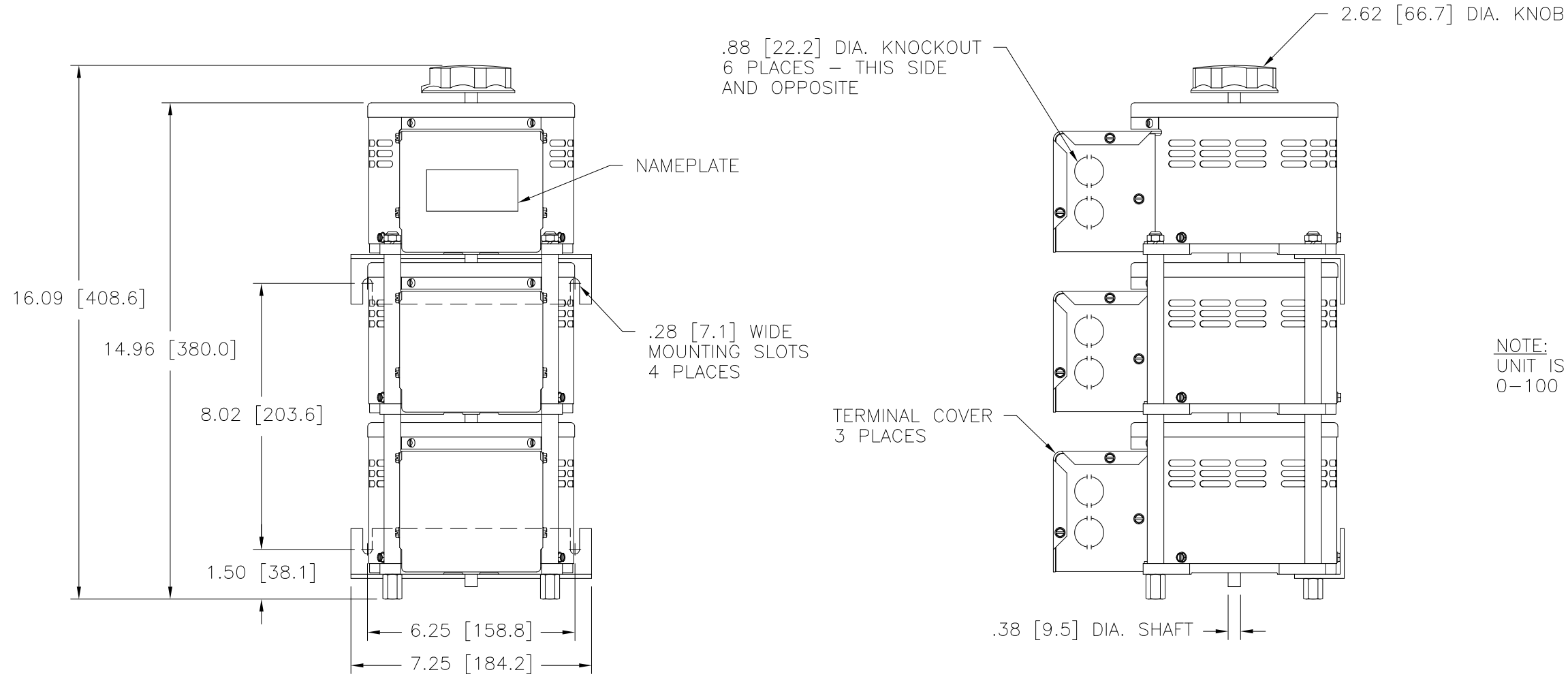
Tel: +86-755-8981 8866 Fax: +86-755-8427 6832

Email & Skype: info@chipsmall.com Web: www.chipsmall.com

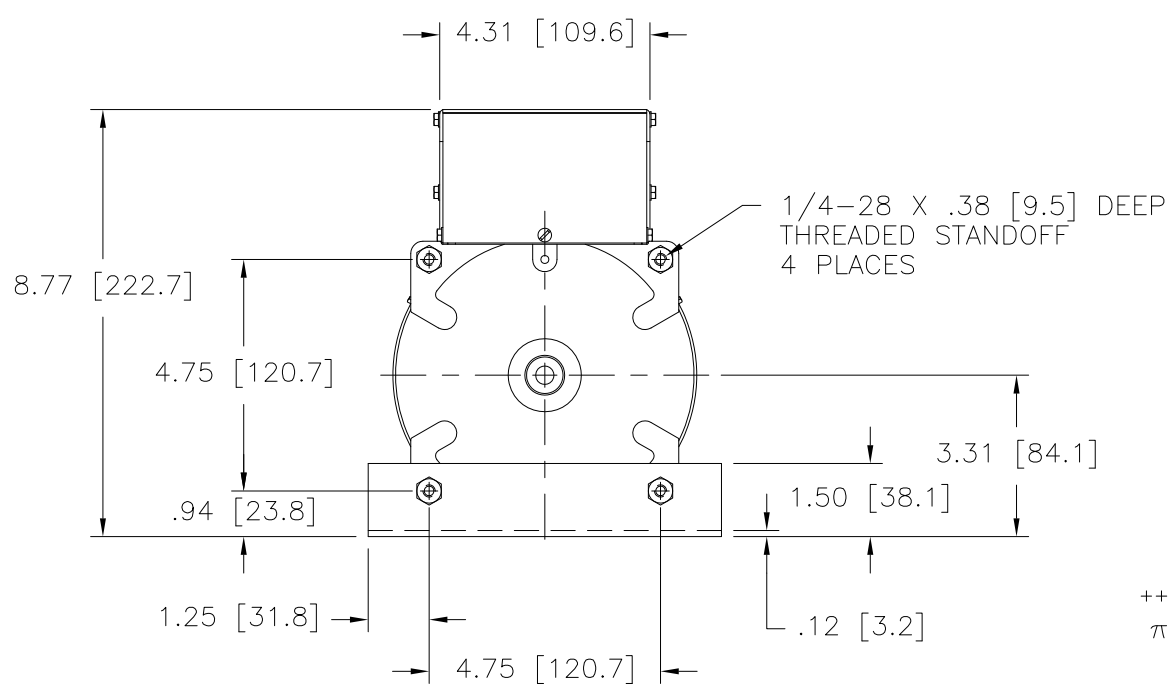
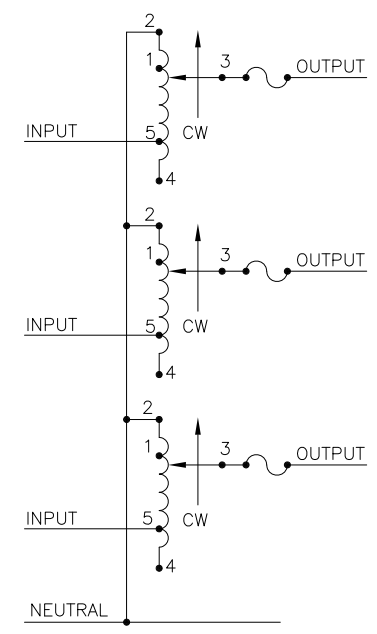
Address: A1208, Overseas Decoration Building, #122 Zhenhua RD., Futian, Shenzhen, China



DWG. NO.	031-3675		
REVISIONS			
SYM.	E.C.N.	DATE	APVD.
A	24471	1/8/2001	REDRAWN ON CAD
B	25804	10/16/06	ADDED CSA LOGO NOTE
C	28069	12/18/14	REMOVE CSA LOGO NOTE



NOTE:
UNIT IS SUPPLIED WITH A 3.50 [95.2] DIA.
0-100 GRADUATED DIAL PLATE FOR PANEL MOUNTING.



++ LINE TO LINE VOLTAGE.

⌘ IF GANGED UNITS ARE USED IN A SYSTEM THAT ORDINARILY HAS A COMMON NEUTRAL OR GROUND BETWEEN SOURCE AND LOAD, THE NEUTRAL OR GROUND MUST BE CONNECTED TO THE COMMON TERMINALS OF THE VARIABLE TRANSFORMER ASSEMBLY. IF THE SYSTEM HAS NO NEUTRAL, THE LOAD MUST BE BALANCED OR THE TRANSFORMER WILL BE DAMAGED.

■ JUMPER PROVIDED IN STANDARD COMMON POSITION AND SHOULD BE MOVED OR REMOVED AS REQUIRED.

SPECIFICATIONS												
WIRING	INPUT		OUTPUT				SHAFT ROTATION TO INCREASE VOLTAGE	TERMINAL CONNECTIONS				
	VOLTS	HERTZ	VOLTS	CONSTANT CURRENT LOAD MAX. AMPS	CONSTANT IMPEDANCE LOAD MAX. KVA	MAX. AMPS		MAX. KVA	FOR INCREASING VOLTAGE AS VIEWED FROM BASE END ■			
THREE PHASE WYE ⌘	240	50/60	0-240	15	6.22	20	8.30	CW	2-2-2	4-4-4	3-3-3	
		60	0-280	15	7.26	—	—	CCW	4-4-4	2-2-2	3-3-3	
	++	60	0-280	15	7.26	—	—	—	CW	1-1-1	4-4-4	3-3-3
									CCW	5-5-5	2-2-2	3-3-3

UNLESS OTHERWISE SPECIFIED, TOLERANCE IS ±	DECIMALS	HOLES	ANGLES	DRAFT	UNITS	TITLE:	
.XX	.06	.01	1°	1-1/2°	IN [mm]	SPEC. CONTROL DRAWING	
.XXX	.005					VARIABLE TRANSFORMER	
						MODEL: 1510CT-3	
MATERIAL:	ALL DIMENSIONS APPLY AFTER PLATING		DRAWN BY		DATE	FIRST USED ON	DO NOT SCALE DWG.
			S.A. SMITH		1/8/2001	1510CT-3	83008
			CHECKER		DATE	WEIGHT APPROX.	CAGE CODE
			ENGINEER		DATE	55.50 LBS	83008
					SCALE	.50=1	DWG. NO.
							031-3675
The information and design disclosed herein was originated by and is the property of STACO ENERGY PRODUCTS CO., which reserves all patent, proprietary, design, manufacturing, reproduction, use and sale rights thereto, and to any article disclosed therein except to the extent rights are expressly granted to others. The foregoing does not apply to vendor proprietary parts.							DWG. NO.
							031-3675
							SHEET 1 OF 1

