



Chipsmall Limited consists of a professional team with an average of over 10 year of expertise in the distribution of electronic components. Based in Hongkong, we have already established firm and mutual-benefit business relationships with customers from,Europe,America and south Asia,supplying obsolete and hard-to-find components to meet their specific needs.

With the principle of "Quality Parts,Customers Priority,Honest Operation,and Considerate Service",our business mainly focus on the distribution of electronic components. Line cards we deal with include Microchip,ALPS,ROHM,Xilinx,Pulse,ON,Everlight and Freescale. Main products comprise IC,Modules,Potentiometer,IC Socket,Relay,Connector.Our parts cover such applications as commercial,industrial, and automotives areas.

We are looking forward to setting up business relationship with you and hope to provide you with the best service and solution. Let us make a better world for our industry!



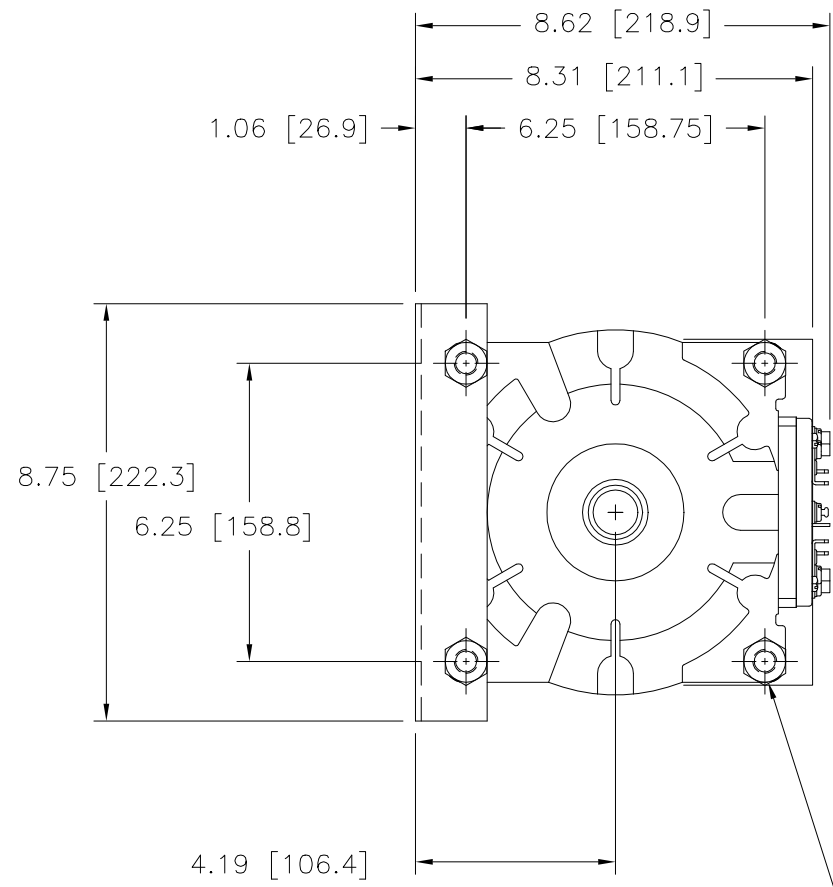
Contact us

Tel: +86-755-8981 8866 Fax: +86-755-8427 6832

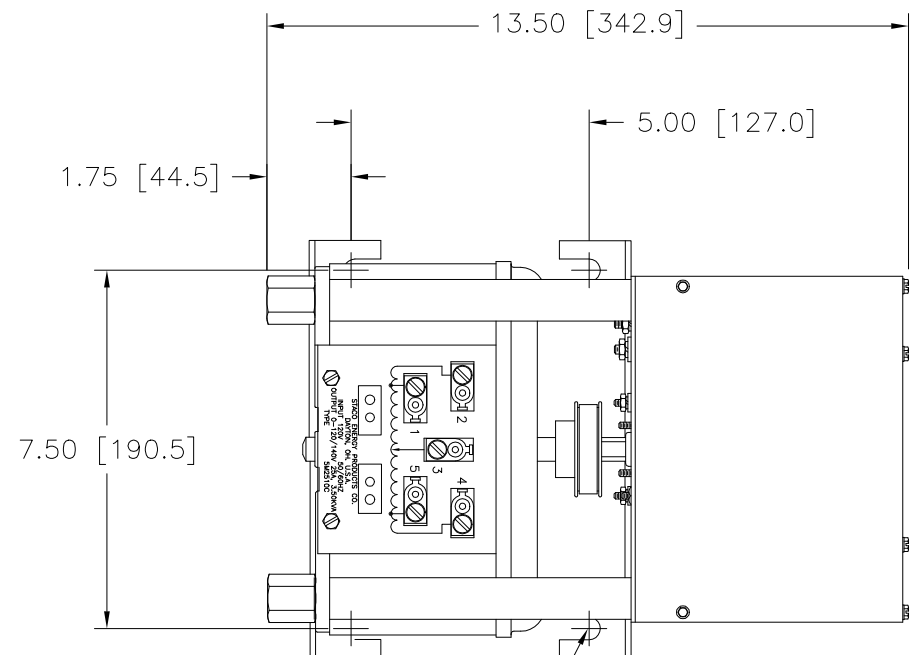
Email & Skype: info@chipsmall.com Web: www.chipsmall.com

Address: A1208, Overseas Decoration Building, #122 Zhenhua RD., Futian, Shenzhen, China



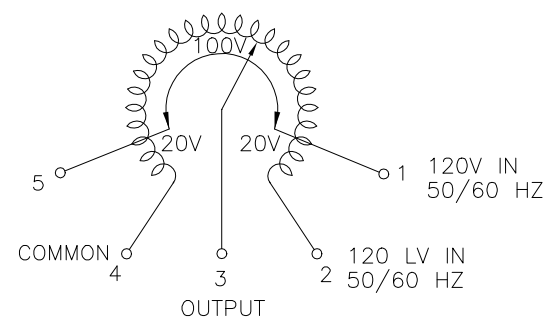


STANDOFFS TAPPED
1/2-13 X .50 (12.7)
DEEP FOR MTG. BOLTS
(4) PLACES

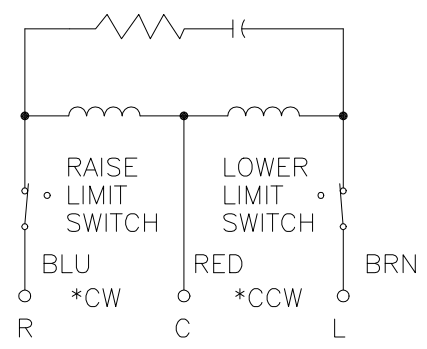


.41 [10.3] WIDE MOUNTING SLOTS
(4) PLACES

+ MOTOR DRIVEN UNITS USE TERMINAL CONNECTORS FOR CCW INCREASING VOLTAGE, AS VIEWED FROM THE BASE END.



SCHMATIC
VIEW FROM BASE END



MOTOR CIRCUIT
120V 50/60 HZ.
MOTOR SPEED: SEE CHART
* ROTATION AS VIEWED FROM MOTOR END

SPEED (SECONDS)	MODEL NUMBER
5	5M2510C
15	15M2510C
30	30M2510C
60	60M2510C

SPECIFICATIONS											
WIRING	INPUT		OUTPUT				SHAFT ROTATION TO INCREASE VOLTAGE	TERMINAL CONNECTIONS			
	VOLTS	HERTZ	VOLTS	CONSTANT CURRENT LOAD	CONSTANT IMPEDANCE LOAD	FOR INCREASING VOLTAGE AS VIEWED FROM BASE END +		INPUT	JUMPER	OUTPUT	
SINGLE PHASE	120	50/60	0-120	25	3.00	30	3.6	CW	2-4	---	4-3
			0-140	25	3.50	---	---	CCW	2-4	---	2-3
								CW	1-4	---	4-3
								CCW	2-5	---	2-3

UNLESS OTHERWISE SPECIFIED, TOLERANCE IS ±
DECIMALS .XX .010
HOLES .002
ANGLES 1°
DRAFT 1-1/2°
UNITS IN [mm]

MATERIAL: ALL DIMENSIONS APPLY AFTER PLATING

TITLE: SPEC. CONTROL DRAWING
VARIABLE TRANSFORMER
TYPE: M2510C

DRAWN BY: TIM RAU
DATE: 4/7/97
FIRST USED ON: DO NOT SCALE DWG.
CHECKER: DATE: WEIGHT APPROX. CAGE CODE: 83008
ENGINEER: DATE: SCALE: .5=1 SHEET 1 OF 1

STACO ENERGY PRODUCTS CO.
A Components Corporation of America Company
302 Gadsden Boulevard Dayton, Ohio 45403 USA

DWG. NO. 031-5110