



Chipsmall Limited consists of a professional team with an average of over 10 year of expertise in the distribution of electronic components. Based in Hongkong, we have already established firm and mutual-benefit business relationships with customers from,Europe,America and south Asia,supplying obsolete and hard-to-find components to meet their specific needs.

With the principle of “Quality Parts,Customers Priority,Honest Operation,and Considerate Service”,our business mainly focus on the distribution of electronic components. Line cards we deal with include Microchip,ALPS,ROHM,Xilinx,Pulse,ON,Everlight and Freescale. Main products comprise IC,Modules,Potentiometer,IC Socket,Relay,Connector.Our parts cover such applications as commercial,industrial, and automotives areas.

We are looking forward to setting up business relationship with you and hope to provide you with the best service and solution. Let us make a better world for our industry!



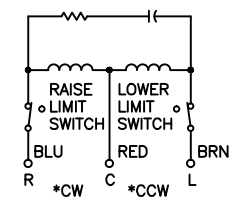
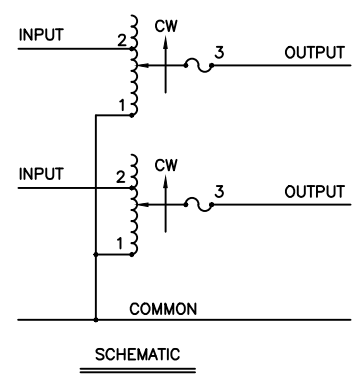
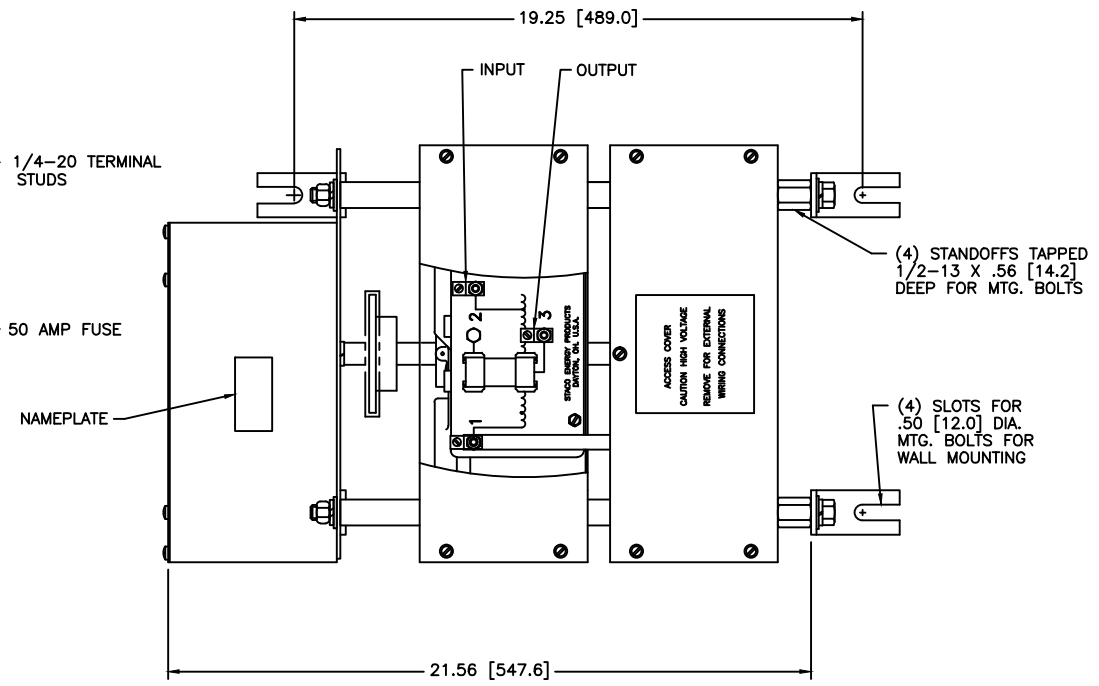
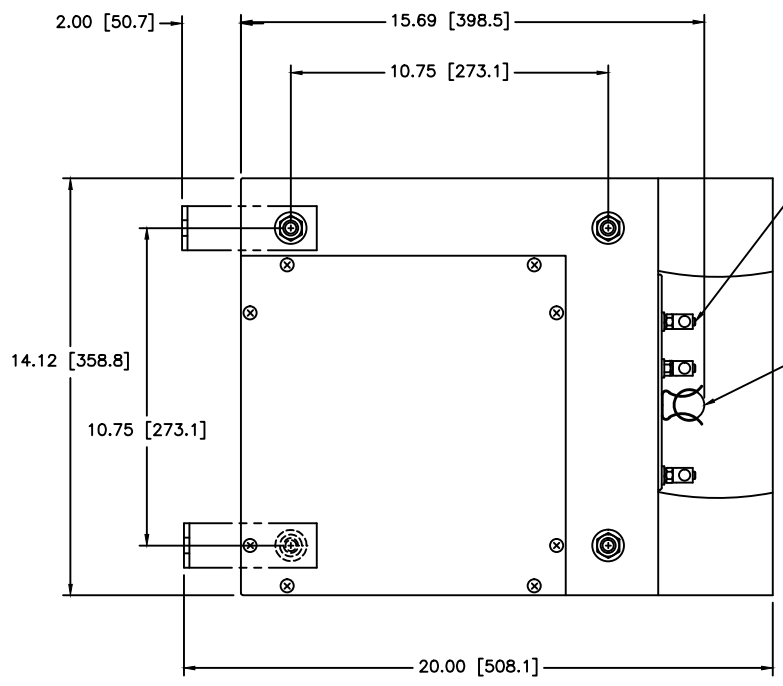
Contact us

Tel: +86-755-8981 8866 Fax: +86-755-8427 6832

Email & Skype: info@chipsmall.com Web: www.chipsmall.com

Address: A1208, Overseas Decoration Building, #122 Zhenhua RD., Futian, Shenzhen, China





MOTOR CIRCUIT
 120V, 50/60 HZ
 * ROTATION AS VIEWED FROM MOTOR END
 MOTOR SPEED: SEE CHART

SPEED (SECONDS)	MODEL NUMBER
5	5M5011CT-2D
15	15M5011CT-2D
30	30M5011CT-2D
60	60M5011CT-2D

SPECIFICATIONS								
WIRING	INPUT		OUTPUT		SHAFT ROTATION TO INCREASE VOLTAGE	TERMINAL CONNECTIONS		
	VOLTS	HERTZ	VOLTS	MAX. AMPS		MAX. KVA	INPUT	OUTPUT
THREE PHASE OPEN DELTA	120	50/60	0-140	50	12.1	CW	2-1-2	3-1-3

<small>UNLESS OTHERWISE SPECIFIED, TOLERANCE IS AS SHOWN IN DIMENSIONS. ALL DIMENSIONS ARE IN INCHES UNLESS OTHERWISE SPECIFIED.</small>	<small>UNLESS OTHERWISE SPECIFIED, FINISH IS AS SHOWN IN DIMENSIONS. ALL DIMENSIONS ARE IN INCHES UNLESS OTHERWISE SPECIFIED.</small>	SPEC. CONTROL DWG. VARIABLE TRANSFORMER TYPE: M5011CT-2D	
<small>The information and design disclosed herein are confidential and are the property of STAGS ENERGY PRODUCTS CO. which reserves all rights, title and interest in and to the same. No part of this information shall be disclosed or used in any way without the written consent of STAGS ENERGY PRODUCTS CO. The foregoing does not apply to trade secrets, patents, or other proprietary rights.</small>	<small>DESIGNED BY</small> T.SNAY <small>DESIGNED BY</small> SHORE <small>DESIGNED BY</small> F. SEALE	<small>DATE</small> 2/28/05 <small>DATE</small> 3/1/05 <small>DATE</small> 3/1/05	<small>PRINTED ON</small> 30 LBS. PAPER <small>PRINTED APPROX.</small> 83008 <small>SCALE</small> .5=1 <small>SHEET 1 OF 1</small>