



Chipsmall Limited consists of a professional team with an average of over 10 year of expertise in the distribution of electronic components. Based in Hongkong, we have already established firm and mutual-benefit business relationships with customers from,Europe,America and south Asia,supplying obsolete and hard-to-find components to meet their specific needs.

With the principle of “Quality Parts,Customers Priority,Honest Operation,and Considerate Service”,our business mainly focus on the distribution of electronic components. Line cards we deal with include Microchip,ALPS,ROHM,Xilinx,Pulse,ON,Everlight and Freescale. Main products comprise IC,Modules,Potentiometer,IC Socket,Relay,Connector.Our parts cover such applications as commercial,industrial, and automotives areas.

We are looking forward to setting up business relationship with you and hope to provide you with the best service and solution. Let us make a better world for our industry!



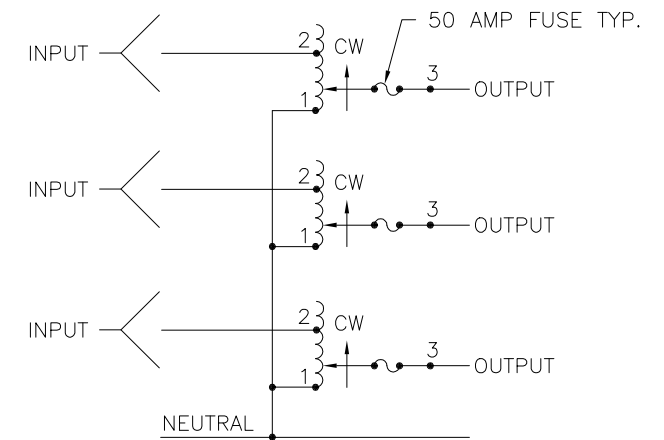
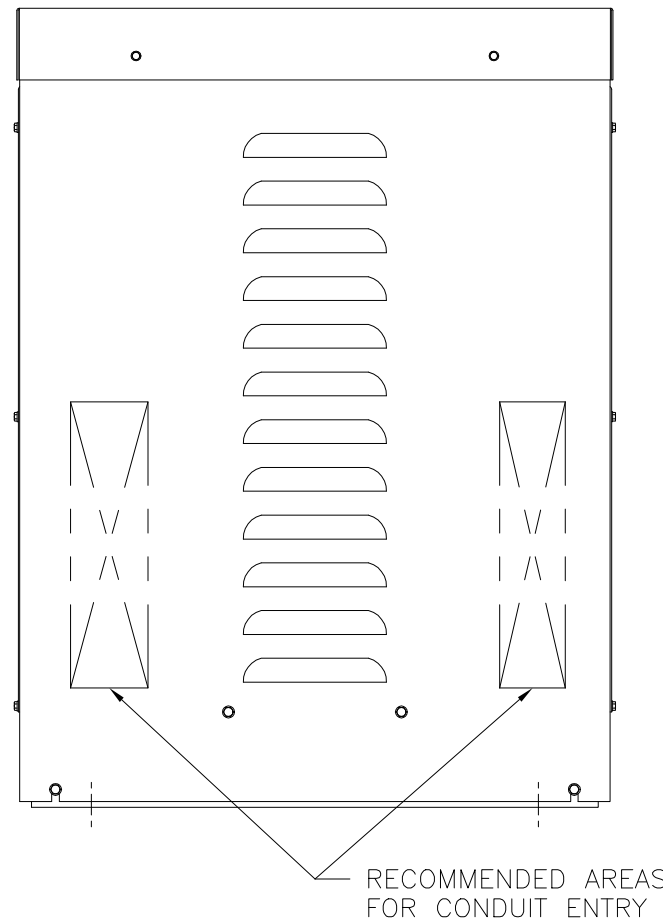
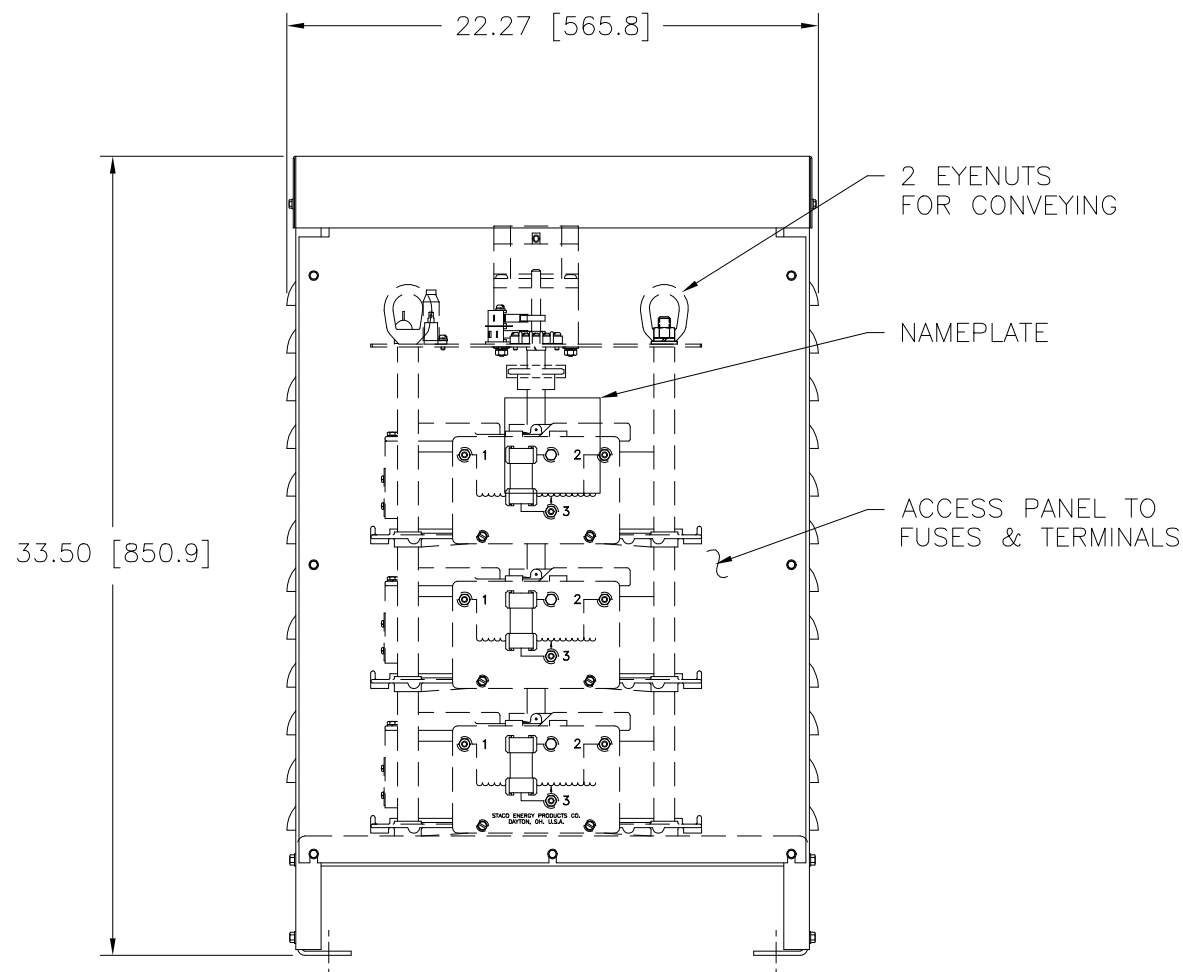
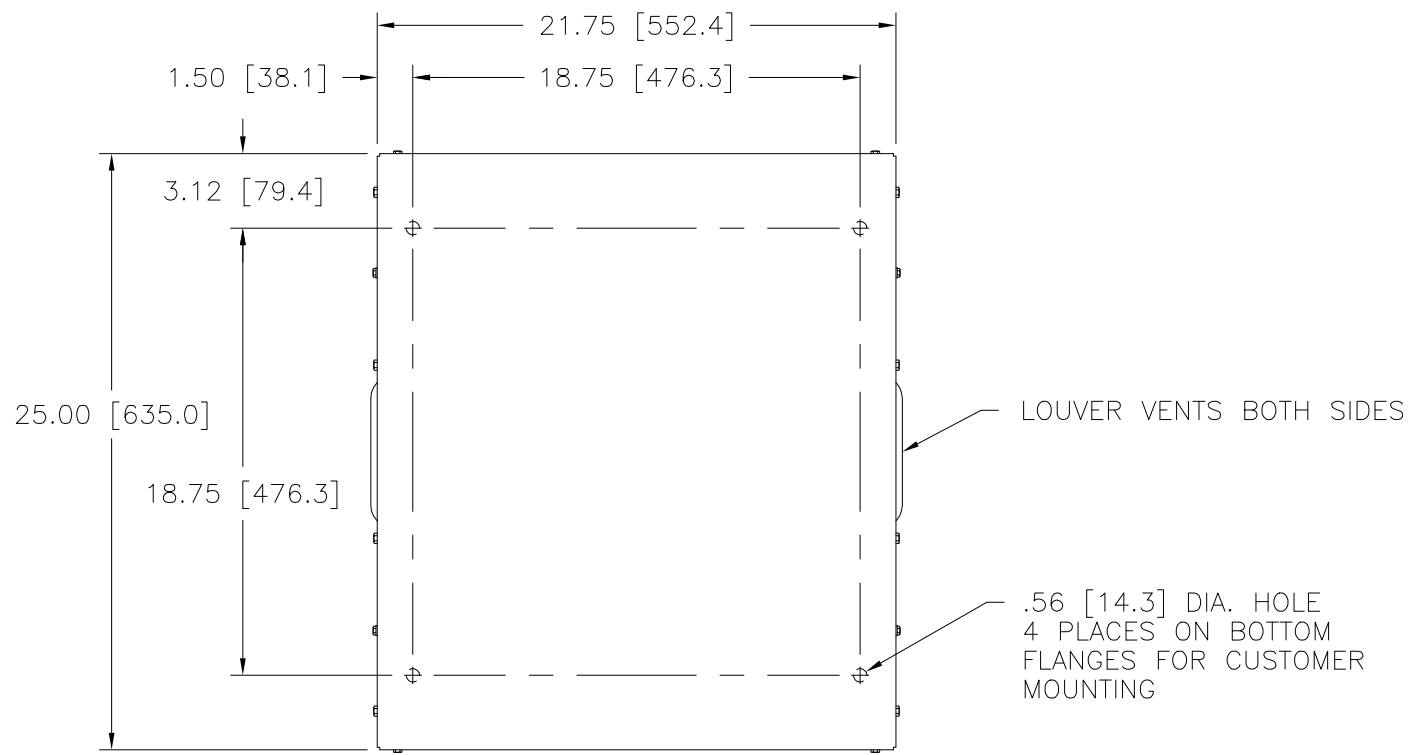
## Contact us

Tel: +86-755-8981 8866 Fax: +86-755-8427 6832

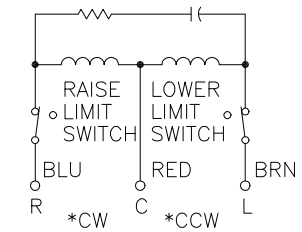
Email & Skype: info@chipsmall.com Web: www.chipsmall.com

Address: A1208, Overseas Decoration Building, #122 Zhenhua RD., Futian, Shenzhen, China





SCHEMATIC



MOTOR CIRCUIT  
 120V, 50/60 HZ  
 \* ROTATION AS VIEWED FROM TOP END  
 MOTOR SPEEDS: 5, 15, 30, 60 SEC.

SPEED (SECONDS)	MODEL NUMBER
5	5M5011E-3Y
15	15M5011E-3Y
30	30M5011E-3Y
60	60M5011E-3Y

WIRING	INPUT		OUTPUT		SHAFT ROTATION FOR VOLTAGE INCREASE	TERMINAL CONNECTIONS FOR INCREASING VOLTAGE AS VIEWED FROM TOP		
	VOLTS	HERTZ	VOLTS	CONSTANT CURRENT LOAD		INPUT	OUTPUT	
				MAX. AMPS				MAX. KVA
THREE PHASE WYE	240	60	0-280	50	24.2	CW	2-2-2 3-3-3	

UNLESS OTHERWISE SPECIFIED, TOLERANCE IS ± DECIMALS .XX .XXX .12 .0001 .03 1° DRAFT 1-1/2° UNITS IN [mm] TITLE: SPECIFICATION CONTROL DRAWING MOTORIZED VARIABLE TRANSFORMER 5 15 30 & 60M5011E-3Y

MATERIAL: ALL DIMENSIONS APPLY AFTER PLATING

STACO ENERGY PRODUCTS CO. A Components Corporation of America Company 302 South Boulevard Dayton, Ohio 45403 USA

DRAWN BY: TIM RAU DATE: 12/14/95 FIRST USED ON: DO NOT SCALE DWG. CHECKER: DATE: WEIGHT APPROX.: CAGE CODE: 83008 DWG. NO.: 031-6872 ENGINEER: DATE: SCALE: .25=1 SHEET 1 OF 1