



Chipsmall Limited consists of a professional team with an average of over 10 year of expertise in the distribution of electronic components. Based in Hongkong, we have already established firm and mutual-benefit business relationships with customers from,Europe,America and south Asia,supplying obsolete and hard-to-find components to meet their specific needs.

With the principle of “Quality Parts,Customers Priority,Honest Operation,and Considerate Service”,our business mainly focus on the distribution of electronic components. Line cards we deal with include Microchip,ALPS,ROHM,Xilinx,Pulse,ON,Everlight and Freescale. Main products comprise IC,Modules,Potentiometer,IC Socket,Relay,Connector.Our parts cover such applications as commercial,industrial, and automotives areas.

We are looking forward to setting up business relationship with you and hope to provide you with the best service and solution. Let us make a better world for our industry!



## Contact us

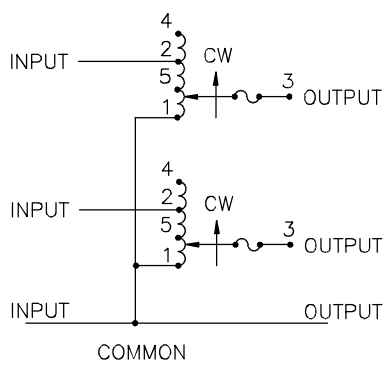
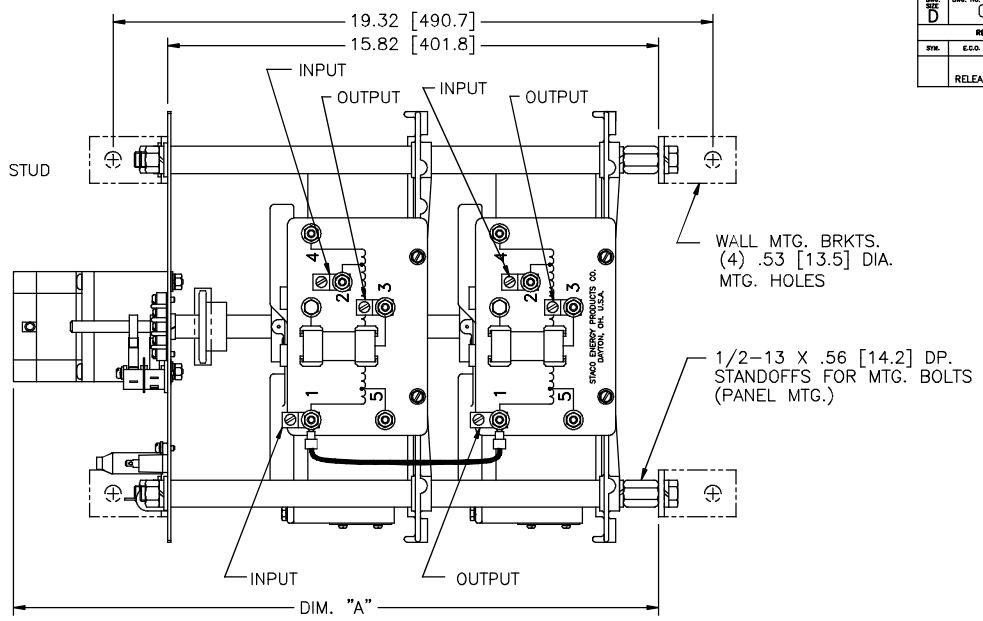
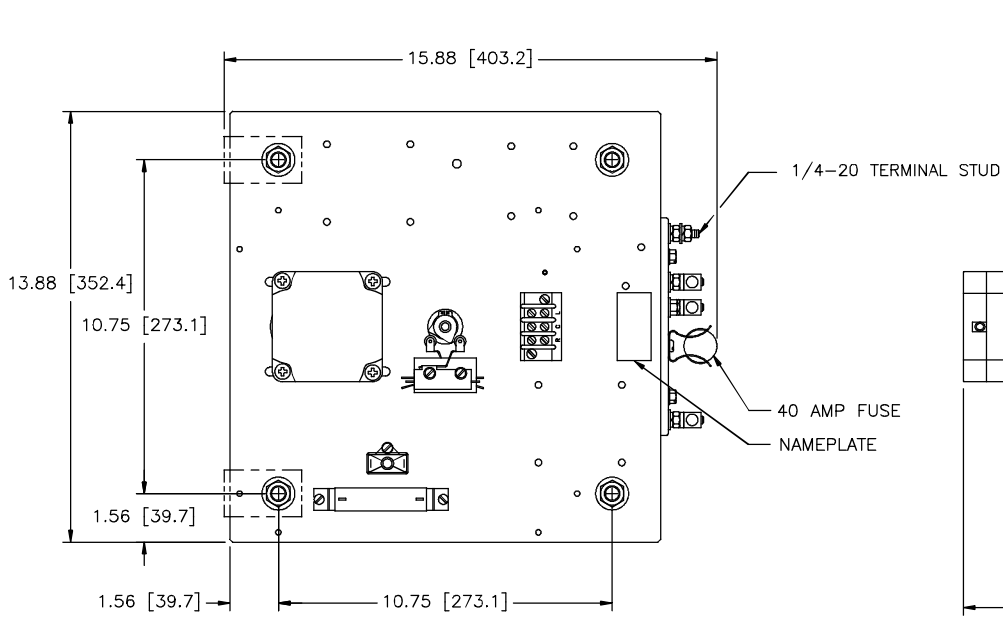
Tel: +86-755-8981 8866 Fax: +86-755-8427 6832

Email & Skype: info@chipsmall.com Web: www.chipsmall.com

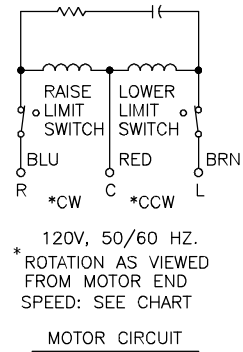
Address: A1208, Overseas Decoration Building, #122 Zhenhua RD., Futian, Shenzhen, China



REV. NO.	031-8237		
REVISIONS			
SYM.	E.G.O.	DATE	APP.
RELEASED TO PRODUCTION			



SCHEMATIC



MOTOR CIRCUIT

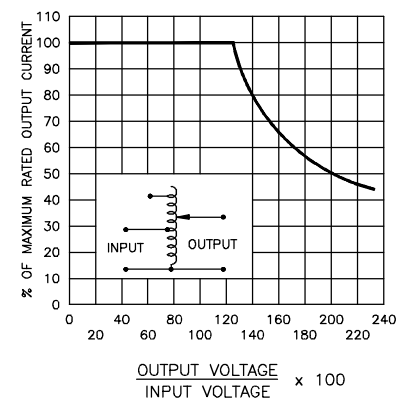


FIGURE A  
MAXIMUM OUTPUT CURRENT OF ANY DUAL INPUT VOLTAGE OR VOLTAGE DOUBLER UNIT OPERATED AT LOWER INPUT VOLTAGE.

# MAXIMUM OUTPUT CURRENT IN OUTPUT VOLTAGE RANGE FROM 0 TO 25% ABOVE LINE VOLTAGE. AT HIGHER OUTPUT VOLTAGES, OUTPUT CURRENT MUST BE REDUCED ACCORDING TO RATING CURVE FIGURE A.  
‡ MAXIMUM KVA AT MAXIMUM OUTPUT AND CORRESPONDING DE-RATED CURRENT. MAXIMUM KVA AT LOWER OUTPUT VOLTAGES MAY BE CALCULATED FROM RATING CURVE FIGURE A.

SPEED (SECONDS)	MODEL NUMBER	DIM. "A"
5	5M5021-2D	19.62 [498.5]
15	15M5021-2D	20.78 [527.8]
30	30M5021-2D	20.78 [527.8]
60	60M5021-2D	20.78 [527.8]

SPECIFICATIONS								
WIRING	INPUT		OUTPUT			SHAFT ROTATION FOR INCREASE VOLTAGE	TERMINAL CONNECTIONS FOR INCREASING VOLTAGE AS VIEWED FROM ROTOR END	
	VOLTS	HERTZ	VOLTS	MAX. AMPS	MAX. KVA		INPUT	OUTPUT
THREE PHASE OPEN DELTA	240	50/60	0-240	28	11.6	CW	4-1-4	3-1-3
			0-280	28	13.6	CW	2-1-2	3-1-3
	120	50/60	0-280	38 <sup>#</sup> -12 V.D.	5.8 ‡	CW	5-1-5	3-1-3

UNLESS OTHERWISE SPECIFIED, TOLERANCE IS ± .0001 INCHES ± .005 MM. DIMENSIONS ARE IN INCHES UNLESS OTHERWISE SPECIFIED. DIMENSIONS ARE TO CENTER UNLESS OTHERWISE SPECIFIED.

MATERIAL: ALL DIMENSIONS APPLY TO CENTER PLANE.

UNIT: IN [MM]

DATE: 7/26/12

SCALE: .5=1

SHEET: 1 OF 1

STAGE ENERGY PRODUCTS CO. A Corporation of America Company 200 Goshen Boulevard, Goshen, Ohio 44042, U.S.A.

031-8237