



Chipsmall Limited consists of a professional team with an average of over 10 year of expertise in the distribution of electronic components. Based in Hongkong, we have already established firm and mutual-benefit business relationships with customers from,Europe,America and south Asia,supplying obsolete and hard-to-find components to meet their specific needs.

With the principle of “Quality Parts,Customers Priority,Honest Operation,and Considerate Service”,our business mainly focus on the distribution of electronic components. Line cards we deal with include Microchip,ALPS,ROHM,Xilinx,Pulse,ON,Everlight and Freescale. Main products comprise IC,Modules,Potentiometer,IC Socket,Relay,Connector.Our parts cover such applications as commercial,industrial, and automotives areas.

We are looking forward to setting up business relationship with you and hope to provide you with the best service and solution. Let us make a better world for our industry!



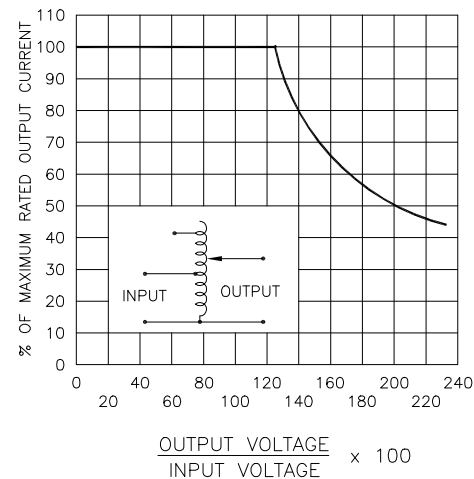
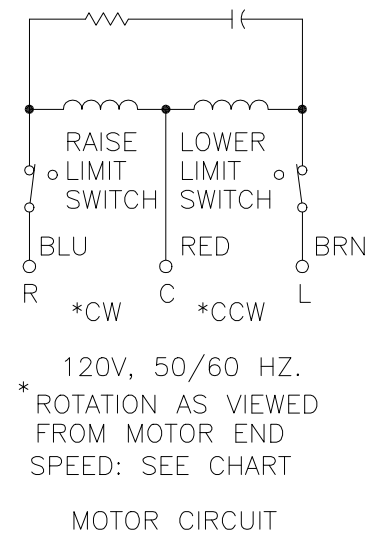
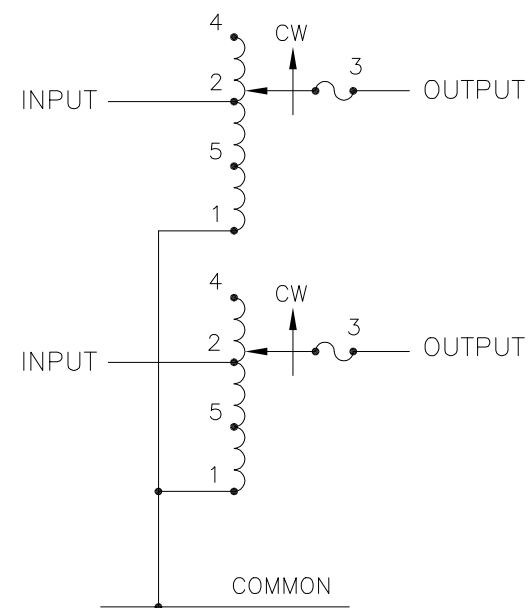
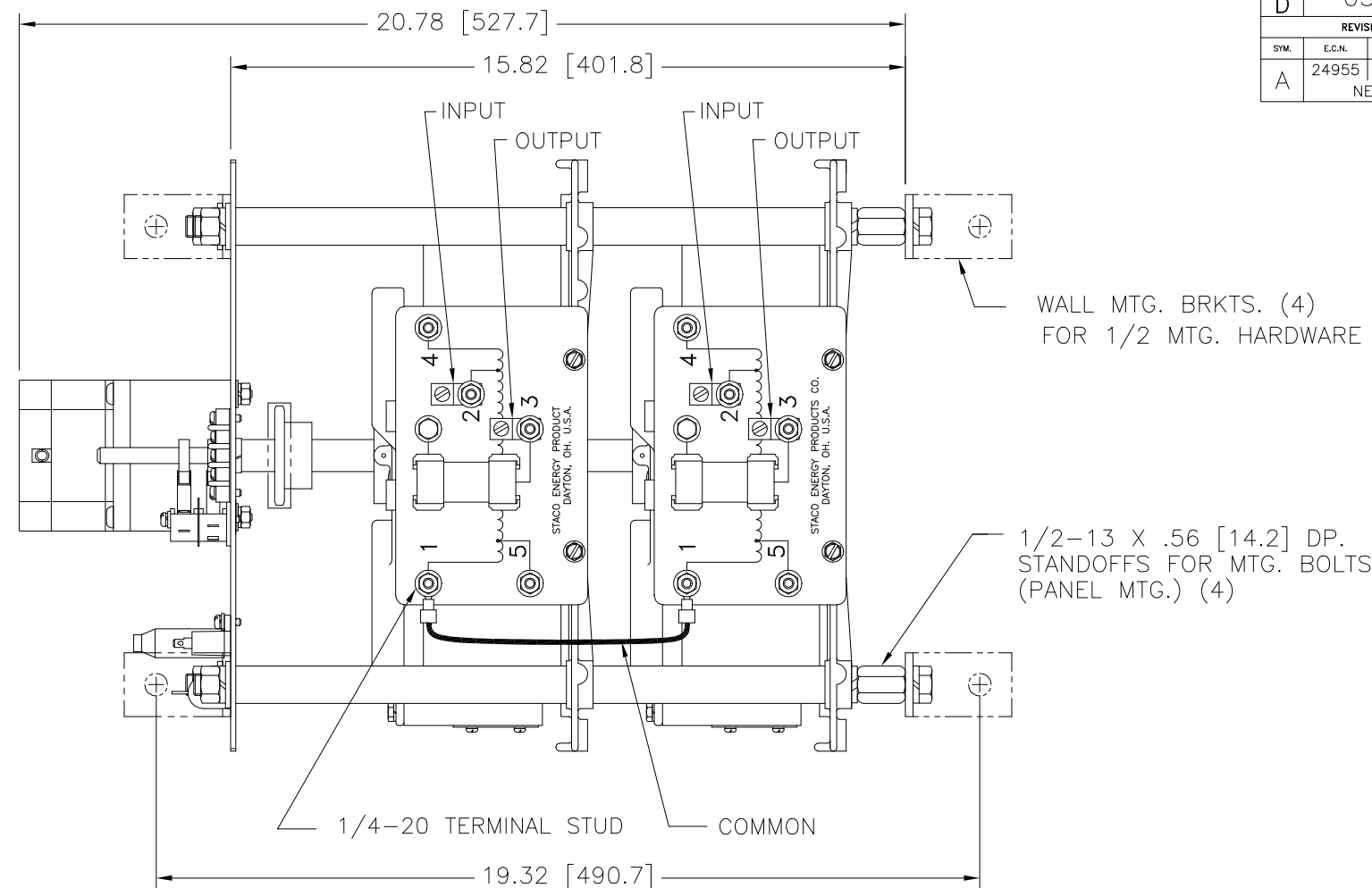
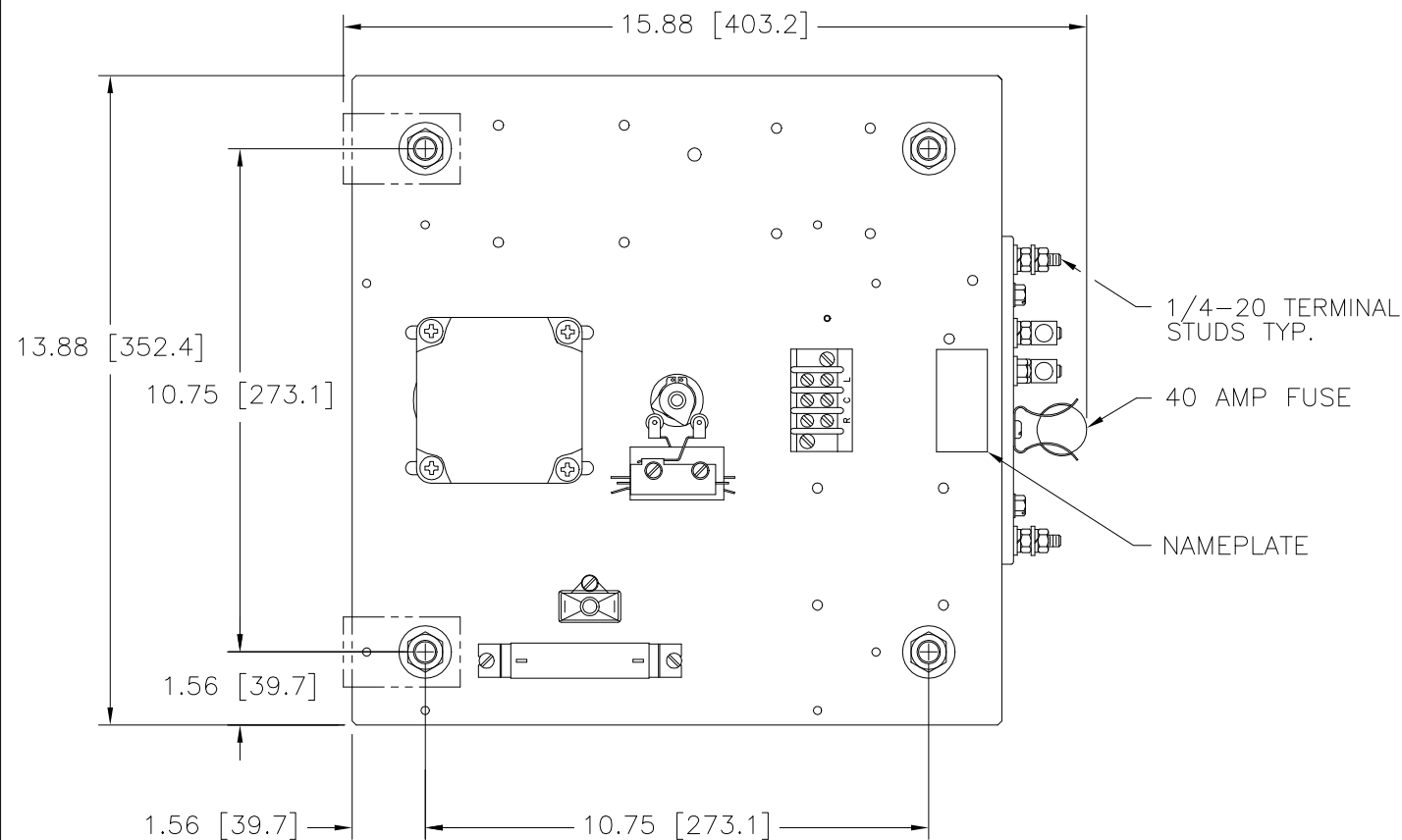
Contact us

Tel: +86-755-8981 8866 Fax: +86-755-8427 6832

Email & Skype: info@chipsmall.com Web: www.chipsmall.com

Address: A1208, Overseas Decoration Building, #122 Zhenhua RD., Futian, Shenzhen, China





MAXIMUM OUTPUT CURRENT IN OUTPUT VOLTAGE RANGE FROM 0 TO 25% ABOVE LINE VOLTAGE. AT HIGHER OUTPUT VOLTAGES, OUTPUT CURRENT MUST BE REDUCED ACCORDING TO RATING CURVE, FIGURE A.
 ++ MAXIMUM KVA AT MAXIMUM OUTPUT AND CORRESPONDING DE-RATED CURRENT. MAXIMUM KVA AT LOWER OUTPUT VOLTAGES MAY BE CALCULATED FROM RATING CURVE, FIGURE A.
 V.D. = VOLTAGE DOUBLER.

SPECIFICATIONS								
WIRING	INPUT		OUTPUT			SHAFT ROTATION FOR INCREASE VOLTAGE	TERMINAL CONNECTIONS	
	VOLTS	HERTZ	VOLTS	MAX. AMPS	MAX. KVA		FOR INCREASING VOLTAGE AS VIEWED FROM ROTOR END	
SINGLE PHASE SERIES	480	50/60	0-480	35	16.8	CW	4-4	3-3
			0-560	35	19.6		2-2	3-3
	240	50/60	0-560	35-15# V.D.	8.4 ‡	CW	5-5	3-3

SPEED (SECONDS)	MODEL NO.
15	15M6020-2S
30	30M6020-2S
60	60M6020-2S

UNLESS OTHERWISE SPECIFIED, TOLERANCE IS ±
 DECIMALS HOLES ANGLES DRAFT
 .XX .01#-12 .002 1° 1-1/2°
 .XXX .005
 UNITS IN [mm]
 ALL DIMENSIONS APPLY AFTER PLATING
 TITLE: SPEC. CONTROL DRAWING
 MOTORIZED VARIABLE XFMR.
 TYPE: M6020-2S
 DRAWN BY: TIM RAU DATE: 11/21/02 FIRST USED ON: DO NOT SCALE DWG.
 CHECKER: DATE: WEIGHT APPROX. CAGE CODE: 83008
 ENGINEER: DATE: SCALE: .5=1 SHEET 1 OF 1
 DWG. NO. 032-7646
 DWG. SIZE D

STACO ENERGY PRODUCTS CO.
 A Components Corporation of America Company
 302 Geddes Boulevard Dayton, Ohio 45403 USA

SCHEMATIC