



Chipsmall Limited consists of a professional team with an average of over 10 year of expertise in the distribution of electronic components. Based in Hongkong, we have already established firm and mutual-benefit business relationships with customers from,Europe,America and south Asia,supplying obsolete and hard-to-find components to meet their specific needs.

With the principle of "Quality Parts,Customers Priority,Honest Operation,and Considerate Service",our business mainly focus on the distribution of electronic components. Line cards we deal with include Microchip,ALPS,ROHM,Xilinx,Pulse,ON,Everlight and Freescale. Main products comprise IC,Modules,Potentiometer,IC Socket,Relay,Connector.Our parts cover such applications as commercial,industrial, and automotives areas.

We are looking forward to setting up business relationship with you and hope to provide you with the best service and solution. Let us make a better world for our industry!



Contact us

Tel: +86-755-8981 8866 Fax: +86-755-8427 6832

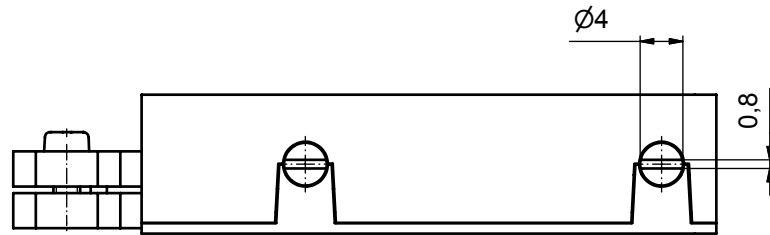
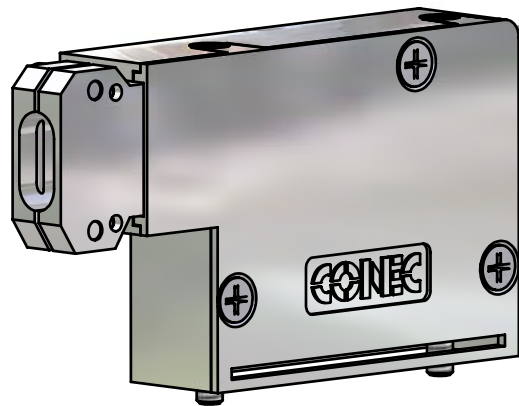
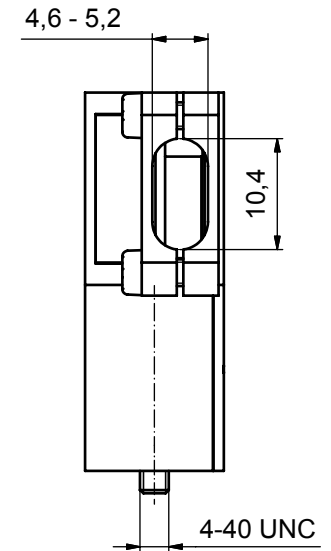
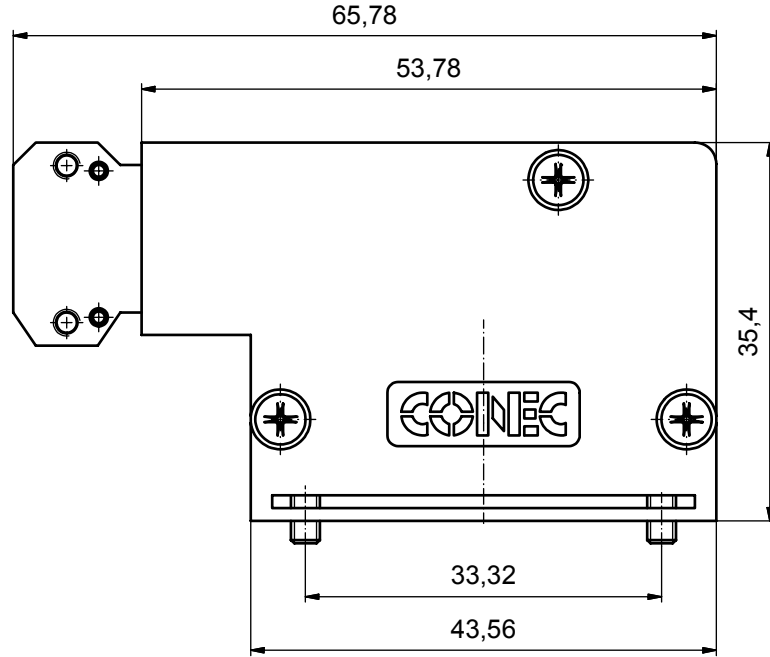
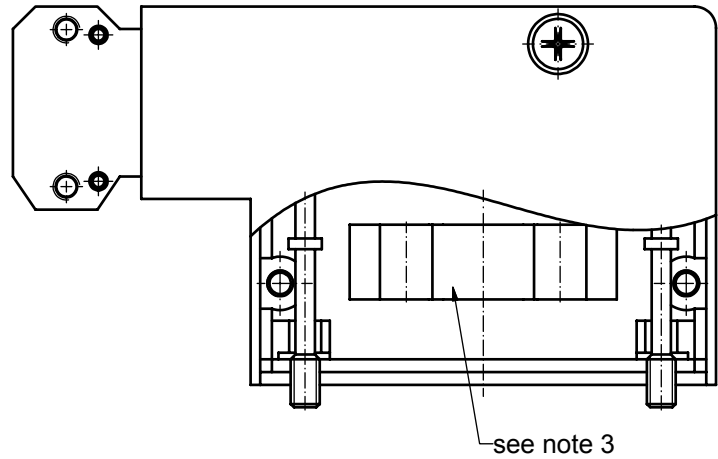
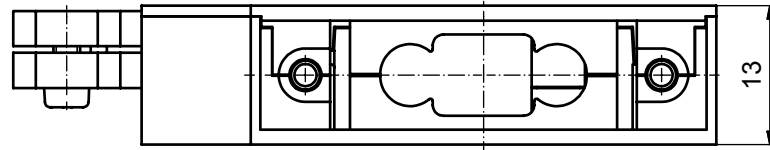
Email & Skype: info@chipsmall.com Web: www.chipsmall.com

Address: A1208, Overseas Decoration Building, #122 Zhenhua RD., Futian, Shenzhen, China



NOTES:

- HOOD: ZINC DIE CAST; NICKEL PLATED
- CABLE STRAIN RELIEF: ZINC DIE CAST; NICKEL PLATED
- PLASTIC SPACERS TO PREVENT MISALIGNMENT OF HIGH POWER CONTACTS:
PBT GF UL 94 V-0; BLACK
- JACKSCREW: STEEL; NICKEL PLATED; SLOTTED
- FIXING SCREW: ZINC PLATED; CROSS RECESSED; TYPE H, SIZE 1
- SCREW FOR CABLE STRAIN RELIEF: ZINC PLATED; CROSS RECESSED; TYPE H, SIZE 1



Directive 2002/95/EC
„RoHS“
Compliant

APPROVAL # FREIGABE # DEBLOCAGE # AUTORIZACION # APPROVAL CUSTOMER APPROVAL DATE: NAME: _____ TITLE: _____ COMPANY NAME: _____	APPROVAL # FREIGABE # DEBLOCAGE # AUTORIZACION # APPROVAL APPROVAL # FREIGABE # DEBLOCAGE # AUTORIZACION # APPROVAL
---	--

THIS DRAWING MAY NOT BE COPIED OR REPRODUCED IN ANY WAY, AND MAY NOT BE PASSED ON TO A THIRD PARTY WITHOUT WRITTEN PERMISSION. OWNERSHIP AND COPYRIGHT OF CONEC GmbH DO NOT ALTER CAD DRAWING BY HAND

rev.	description	date	name	tolerance
				dim. in mm
		date	name	
		drawn 20.09.07	Schmidt	
		appd. 20.09.07	Koch	
		norm		
		d-old	SK0726T1	
a	Origin			



scale: 2:1	
material: see notes	
title: Hood μTCA for use with 7W2 connector side cable exit	
dwg no: Inventor 10	DIN-A3
16K1A2148	
part no: 16-000010	sh: 1