



Chipsmall Limited consists of a professional team with an average of over 10 year of expertise in the distribution of electronic components. Based in Hongkong, we have already established firm and mutual-benefit business relationships with customers from,Europe,America and south Asia,supplying obsolete and hard-to-find components to meet their specific needs.

With the principle of “Quality Parts,Customers Priority,Honest Operation,and Considerate Service”,our business mainly focus on the distribution of electronic components. Line cards we deal with include Microchip,ALPS,ROHM,Xilinx,Pulse,ON,Everlight and Freescale. Main products comprise IC,Modules,Potentiometer,IC Socket,Relay,Connector.Our parts cover such applications as commercial,industrial, and automotives areas.

We are looking forward to setting up business relationship with you and hope to provide you with the best service and solution. Let us make a better world for our industry!



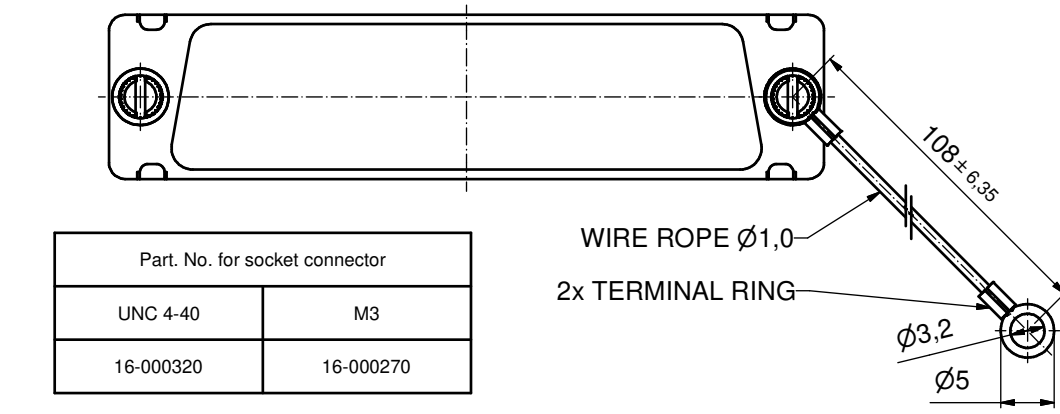
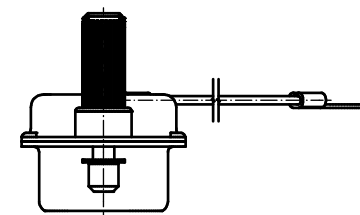
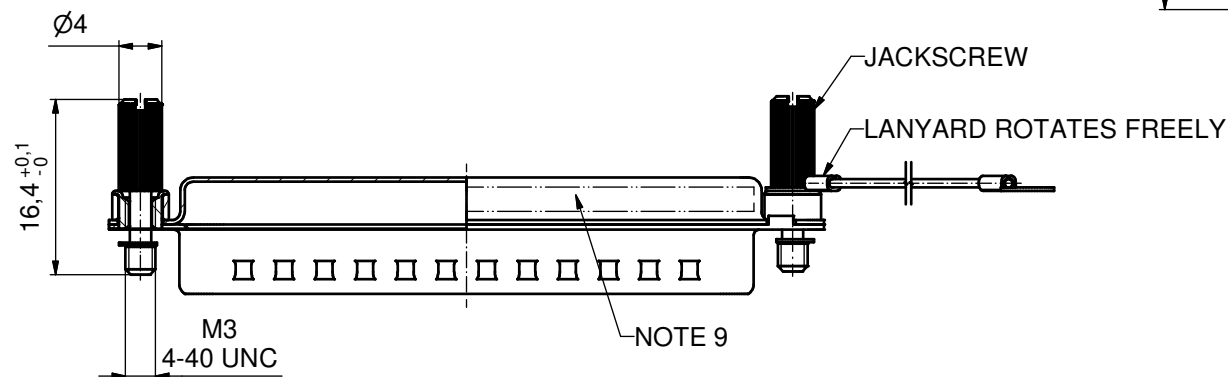
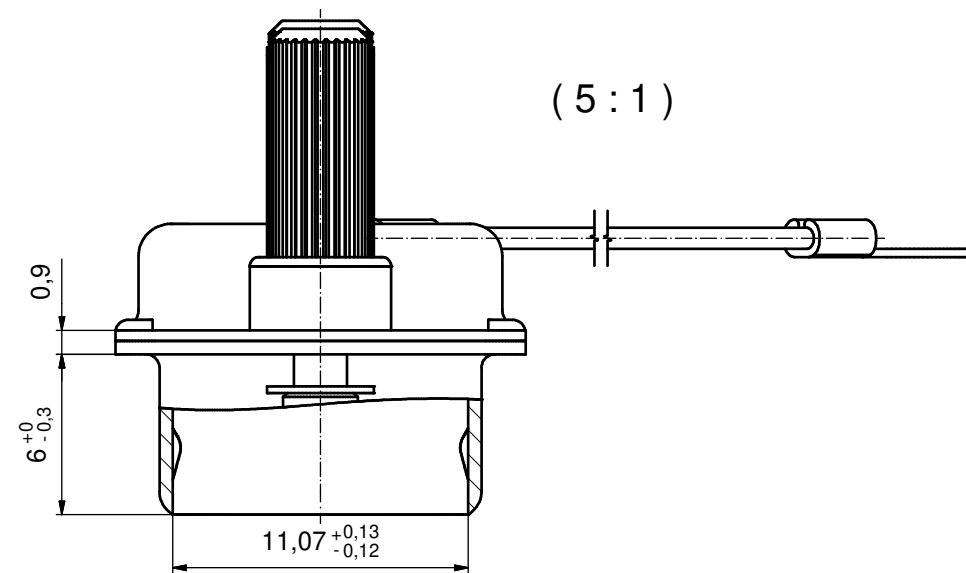
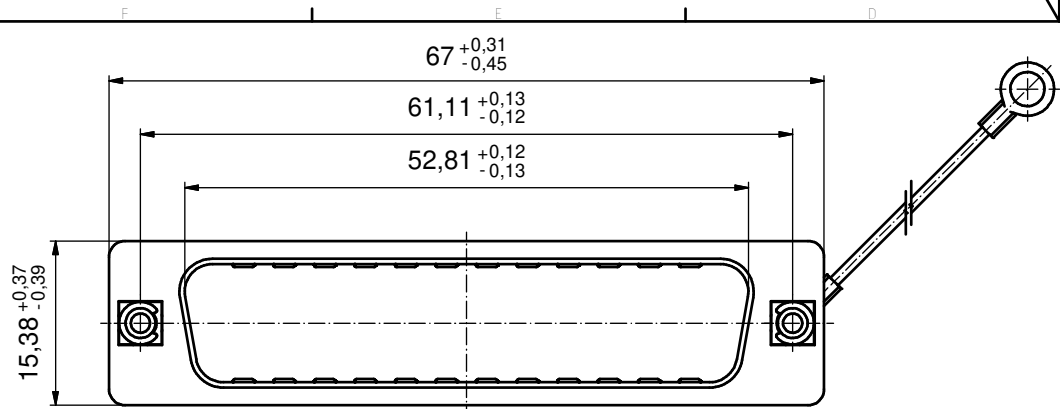
Contact us

Tel: +86-755-8981 8866 Fax: +86-755-8427 6832

Email & Skype: info@chipsmall.com Web: www.chipsmall.com

Address: A1208, Overseas Decoration Building, #122 Zhenhua RD., Futian, Shenzhen, China





Part. No. for socket connector	
UNC 4-40	M3
16-000320	16-000270

NOTES:

1. METALSHELLS: COPPER ALLOY; min. 315µin TIN over 40-80µin NICKEL
2. THREADED INSERT: COPPER ALLOY; min. 200µin TIN over 80µin NICKEL
3. COLLAR: COPPER ALLOY; min. 200µin TIN over 80µin NICKEL
- ④ 4. JACKSCREW: STAINLESS STEEL 1.4305
5. WIRE ROPE: STAINLESS STEEL 1.4401
6. RETAINING WASHER: STAINLESS STEEL 1.4122
7. TERMINAL RING: UNINSULATED, COPPER ALLOY; min. 200µinTIN over 80µin NICKEL
8. MAXIMUM TORQUE VALUE FOR THREAD: 6in.LB
9. CONNECTOR IS PART MARKED: PART NO. CONEC ABC

Directive 2002/95/EC
"RoHS"
Compliant

THIS DRAWING MAY NOT BE COPIED OR REPRODUCED IN ANY WAY, AND MAY NOT BE PASSED ON TO A THIRD PARTY WITHOUT WRITTEN PERMISSION. OWNERSHIP AND COPYRIGHT OF CONEC GmbH DO NOT ALTER CAD DRAWING BY HAND	tolerance		ISO 2768-m		dim. in mm	scale:	2:1 (5:1)	
	date		name			material:	SEE NOTES	
	drawn	23.05.08	Petker		title:			
	appd.	26.05.08	Fischer		SCREEN CAP 50pos. FOR SOCKET CONNECTOR with threaded insert, jackscrew and wire rope			
	norm							
d-old				dwg no:	Inventor 10	DIN-A3		
1 x b	Ä 3186	17.11.2008	Petker			sh: 1		
a	Origin					part no:		see table