



Chipsmall Limited consists of a professional team with an average of over 10 year of expertise in the distribution of electronic components. Based in Hongkong, we have already established firm and mutual-benefit business relationships with customers from,Europe,America and south Asia,supplying obsolete and hard-to-find components to meet their specific needs.

With the principle of “Quality Parts,Customers Priority,Honest Operation,and Considerate Service”,our business mainly focus on the distribution of electronic components. Line cards we deal with include Microchip,ALPS,ROHM,Xilinx,Pulse,ON,Everlight and Freescale. Main products comprise IC,Modules,Potentiometer,IC Socket,Relay,Connector.Our parts cover such applications as commercial,industrial, and automotives areas.

We are looking forward to setting up business relationship with you and hope to provide you with the best service and solution. Let us make a better world for our industry!



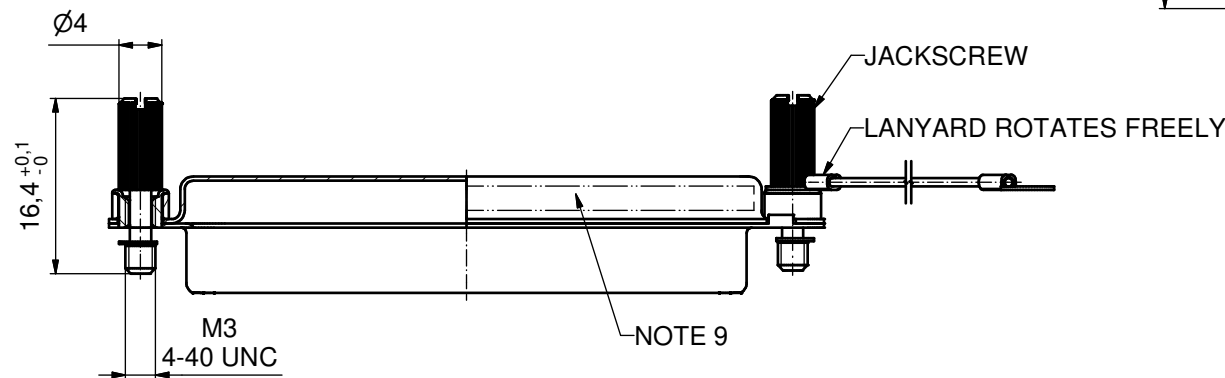
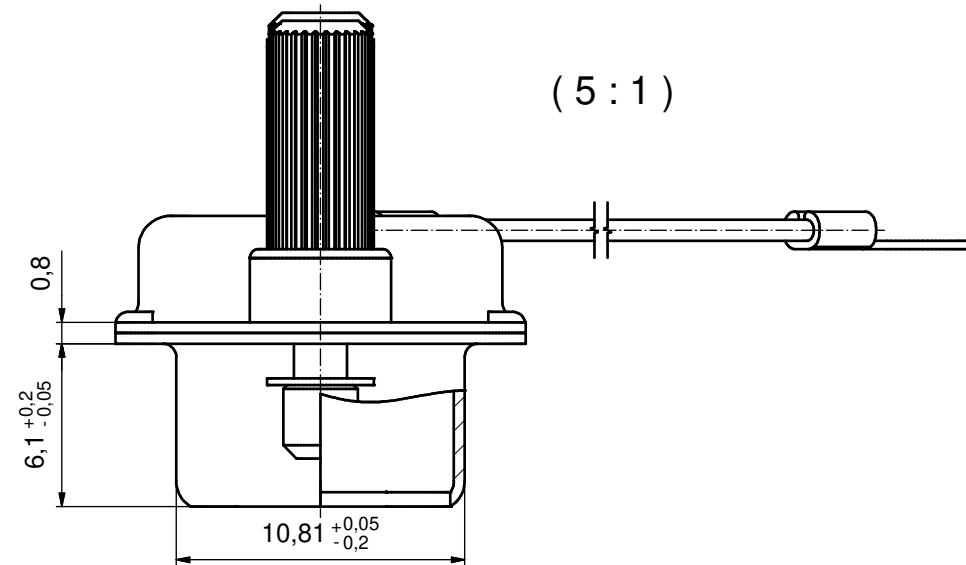
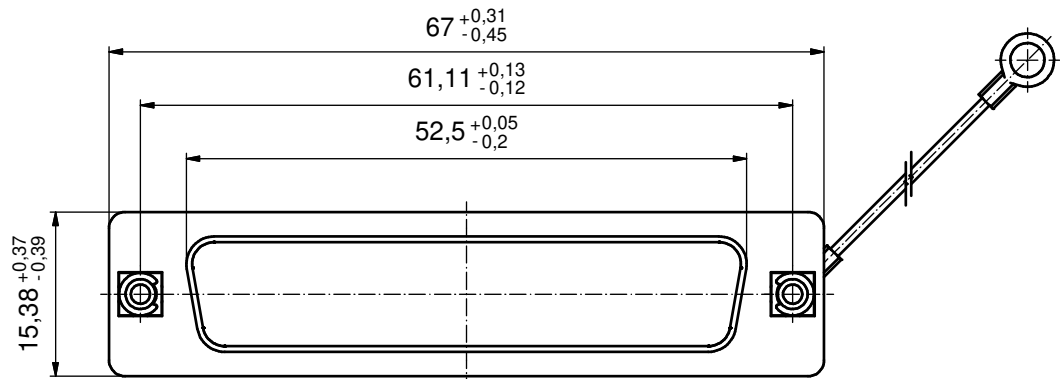
## Contact us

Tel: +86-755-8981 8866 Fax: +86-755-8427 6832

Email & Skype: info@chipsmall.com Web: www.chipsmall.com

Address: A1208, Overseas Decoration Building, #122 Zhenhua RD., Futian, Shenzhen, China

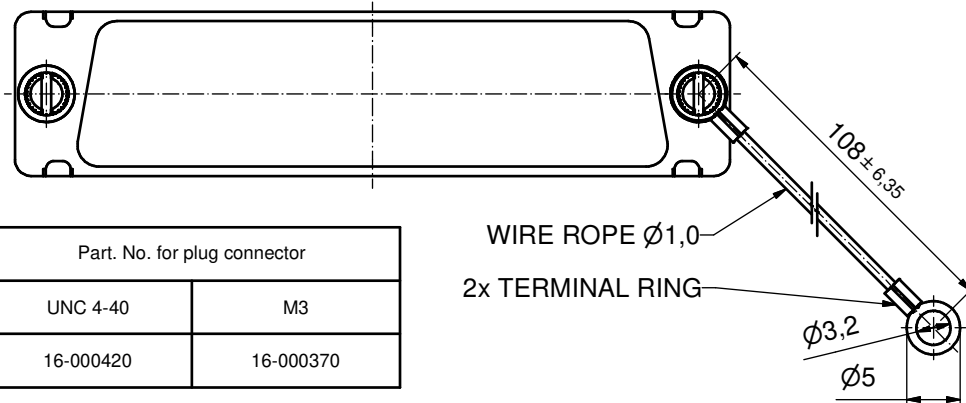




**NOTES:**

1. METALSHELLS: COPPER ALLOY; min. 315µin TIN over 40-80µin NICKEL
2. THREADED INSERT: COPPER ALLOY; min. 200µin TIN over 80µin NICKEL
3. COLLAR: COPPER ALLOY; min. 200µin TIN over 80µin NICKEL
- ④ 4. JACKSCREW: STAINLESS STEEL 1.4305
5. WIRE ROPE: STAINLESS STEEL 1.4401
6. RETAINING WASHER: STAINLESS STEEL 1.4122
7. TERMINAL RING: UNINSULATED, COPPER ALLOY; min. 200µinTIN over 80µin NICKEL
8. MAXIMUM TORQUE VALUE FOR THREAD: 6in.LB
9. CONNECTOR IS PART MARKED: PART NO. CONEC ABC

Directive 2002/95/EC  
"RoHS"  
Compliant



Part. No. for plug connector	
UNC 4-40	M3
16-000420	16-000370

THIS DRAWING MAY NOT BE COPIED OR REPRODUCED IN ANY WAY, AND MAY NOT BE PASSED ON TO A THIRD PARTY WITHOUT WRITTEN PERMISSION. OWNERSHIP AND COPYRIGHT OF CONEC GmbH DO NOT ALTER CAD DRAWING BY HAND	tolerance	ISO 2768-m		dim. in mm	scale:	2:1 (5:1)		
	material:				SEE NOTES			
	date	23.05.08		name	title:			
	drawn	Petker		appd.	26.05.08		SCREEN CAP	
	norm			d-old			50pos. FOR PLUG CONNECTOR	
1 x b	Ä 3186	17.11.2008	Petker	dwg no:			Inventor 10	DIN-A3
a	Origin			part no:			16K1A2304	sh: 1
rev.	description	date	name	<b>CONEC</b> ®			see table	