



Chipsmall Limited consists of a professional team with an average of over 10 year of expertise in the distribution of electronic components. Based in Hongkong, we have already established firm and mutual-benefit business relationships with customers from,Europe,America and south Asia,supplying obsolete and hard-to-find components to meet their specific needs.

With the principle of "Quality Parts,Customers Priority,Honest Operation,and Considerate Service",our business mainly focus on the distribution of electronic components. Line cards we deal with include Microchip,ALPS,ROHM,Xilinx,Pulse,ON,Everlight and Freescale. Main products comprise IC,Modules,Potentiometer,IC Socket,Relay,Connector.Our parts cover such applications as commercial,industrial, and automotives areas.

We are looking forward to setting up business relationship with you and hope to provide you with the best service and solution. Let us make a better world for our industry!



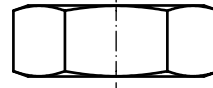
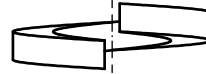
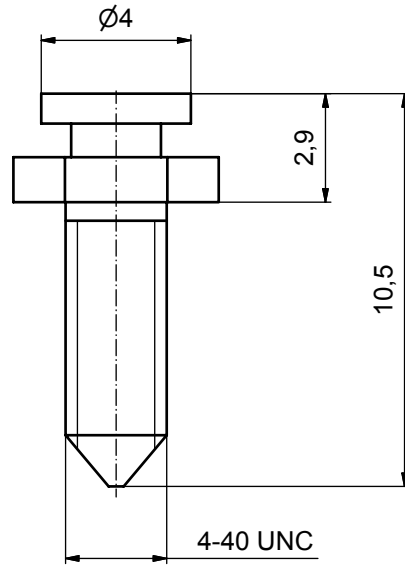
Contact us

Tel: +86-755-8981 8866 Fax: +86-755-8427 6832

Email & Skype: info@chipsmall.com Web: www.chipsmall.com

Address: A1208, Overseas Decoration Building, #122 Zhenhua RD., Futian, Shenzhen, China





A set consists of:

- 2 locking bolts
- 2 washers
- 2 spring rings
- 2 nuts



Directive 2002/95/EC
"RoHS"
Compliant

NOTES:

1. ALL PARTS MATERIAL: STEEL
2. PLATING: NICKEL PLATED

APPROVAL # FREIGABE # DEBLOCAGE # AUTORIZACION # APPROVAL	
CUSTOMER APPROVAL DATE:	
NAME:	TITLE:
COMPANY NAME:	
APPROVAL # FREIGABE # DEBLOCAGE # AUTORIZACION # APPROVAL	

finish: see notes				tolerance		dim. in mm	
				date		name	
				drawn		11.10.02 Schmidt	
				appd.		11.10.02 Mickenbecker	
				norm			
				d-old			
4 x b	A 3050	04.07.08	HS				
a	Origin						
rev.	description	date	name				

scale: 7:1	
material: see notes	
title: LOCKING BOLT for Slide lock	
dwg no:	Inventor 10 (b)
part no:	16K1A781
part no:	(b) 16-000640
DIN-A3	sh: 1

THIS DRAWING MAY NOT BE COPIED OR REPRODUCED IN ANY WAY, AND MAY NOT BE PASSED ON TO A THIRD PARTY WITHOUT WRITTEN PERMISSION. OWNERSHIP AND COPYRIGHT OF CONEC GmbH

DO NOT ALTER CAD DRAWING BY HAND