



Chipsmall Limited consists of a professional team with an average of over 10 year of expertise in the distribution of electronic components. Based in Hongkong, we have already established firm and mutual-benefit business relationships with customers from,Europe,America and south Asia,supplying obsolete and hard-to-find components to meet their specific needs.

With the principle of “Quality Parts,Customers Priority,Honest Operation,and Considerate Service”,our business mainly focus on the distribution of electronic components. Line cards we deal with include Microchip,ALPS,ROHM,Xilinx,Pulse,ON,Everlight and Freescale. Main products comprise IC,Modules,Potentiometer,IC Socket,Relay,Connector.Our parts cover such applications as commercial,industrial, and automotives areas.

We are looking forward to setting up business relationship with you and hope to provide you with the best service and solution. Let us make a better world for our industry!



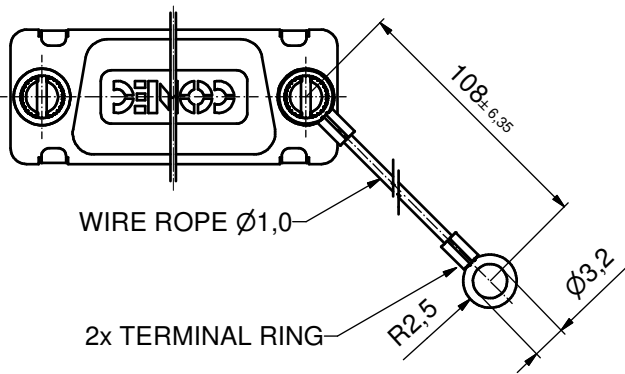
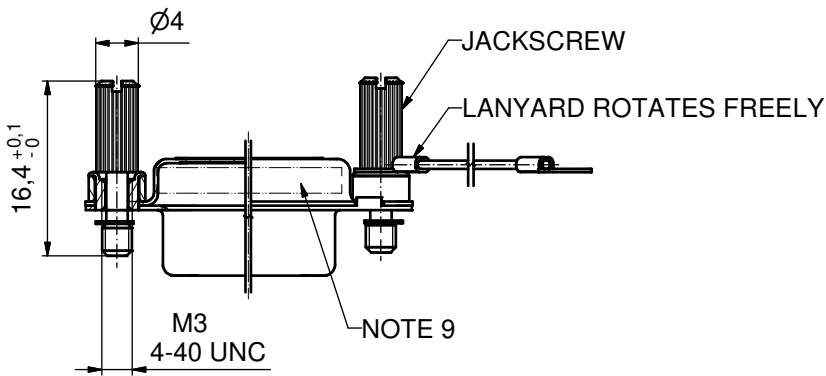
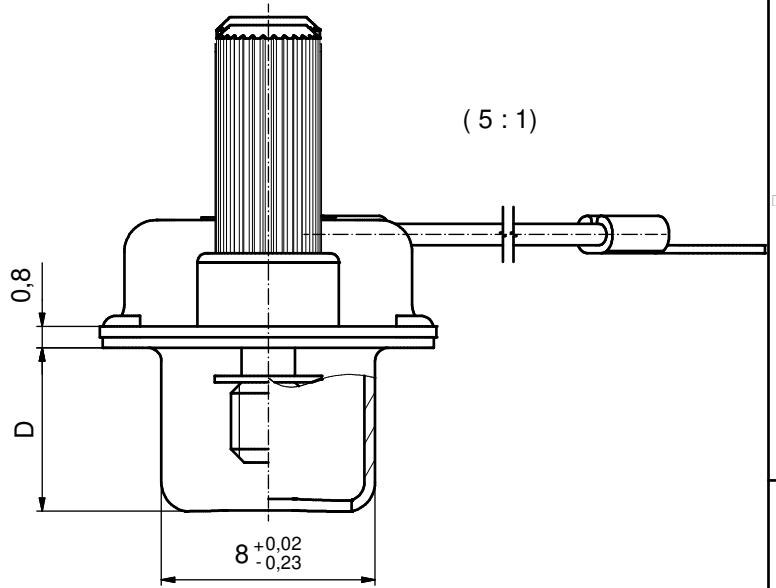
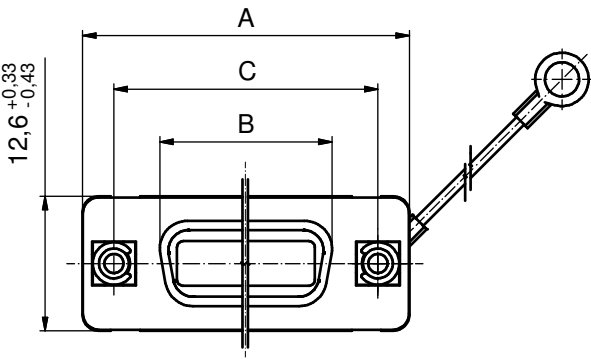
Contact us

Tel: +86-755-8981 8866 Fax: +86-755-8427 6832

Email & Skype: info@chipsmall.com Web: www.chipsmall.com

Address: A1208, Overseas Decoration Building, #122 Zhenhua RD., Futian, Shenzhen, China





No. of pos.	A _{-0,76}	B _{-0,25}	C	D _{-0,3}
9	31,19	16,46	25,00 ^{+0,12} _{-0,10}	6,12
15	39,52	24,79	33,30 ^{+0,15}	6,12
25	53,42	38,50	47,04 ± 0,13	5,99
37	69,70	54,96	63,50 ^{+0,13} _{-0,11}	5,99

Directive 2002/95/EC
„RoHS“
Compliant

Part No. for plug connector		
No. of pos.	UNC 4-40	M 3
9	16-000950	16-000900
15	16-000960	16-000910
25	16-000970	16-000920
37	16-000980	16-000930

NOTES:

- METALSHELLS: STEEL; min. 315µin TIN over 40-80µin NICKEL
- THREADED INSERT: COPPER ALLOY; min. 200µin TIN over 80µin NICKEL
- COLLAR: COPPER ALLOY; min. 200µin TIN over 80µin NICKEL
- JACKSCREW: STEEL; NICKEL PLATED
- WIRE ROPE: STAINLESS STEEL 1.4401
- RETAINING WASHER: STAINLESS STEEL 1.4122
- TERMINAL RING: UNINSULATED, COPPER ALLOY; min. 200µinTIN over 80µin NICKEL
- MAXIMUM TORQUE VALUE FOR THREAD: 6in.LB
- CONNECTOR IS PART MARKED: PART NO. CONEC ABC

APPROVAL # FREIGABE # DEBLOCAGE # AUTORIZACION # APPROVAL

CUSTOMER APPROVAL DATE:

NAME: _____ TITLE: _____

COMPANY NAME: _____

APPROVAL # FREIGABE # DEBLOCAGE # AUTORIZACION # APPROVAL

THIS DRAWING MAY NOT BE COPIED OR REPRODUCED IN ANY WAY, AND MAY NOT BE PASSED ON TO A THIRD PARTY WITHOUT WRITTEN PERMISSION. OWNERSHIP AND COPYRIGHT OF CONEC GmbH

DO NOT ALTER CAD DRAWING BY HAND

rev.	description	date	name
a	Origin		



tolerance ISO 2768-m	dim. in mm	scale: 2:1 (5:1)
date	name	material: SEE NOTES
drawn 17.11.08 Petker	appd. 17.11.08 Fischer	title: SCREEN CAP 9-37pos. FOR PLUG CONNECTOR with threaded insert, jackscrew and wire rope
norm	d-old	dwg no: Inventor 10
part no: 16K1A2398		DIN-A3 sh: 1
part no: see table		