



Chipsmall Limited consists of a professional team with an average of over 10 year of expertise in the distribution of electronic components. Based in Hongkong, we have already established firm and mutual-benefit business relationships with customers from,Europe,America and south Asia,supplying obsolete and hard-to-find components to meet their specific needs.

With the principle of “Quality Parts,Customers Priority,Honest Operation,and Considerate Service”,our business mainly focus on the distribution of electronic components. Line cards we deal with include Microchip,ALPS,ROHM,Xilinx,Pulse,ON,Everlight and Freescale. Main products comprise IC,Modules,Potentiometer,IC Socket,Relay,Connector.Our parts cover such applications as commercial,industrial, and automotives areas.

We are looking forward to setting up business relationship with you and hope to provide you with the best service and solution. Let us make a better world for our industry!



Contact us

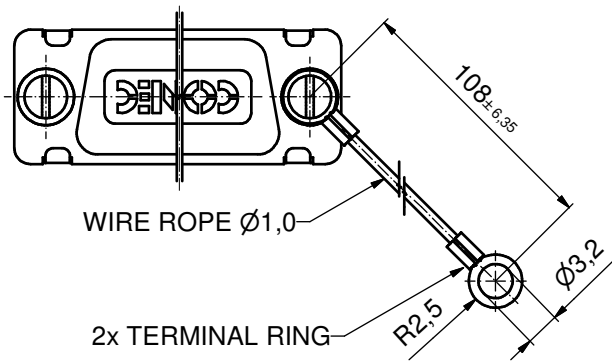
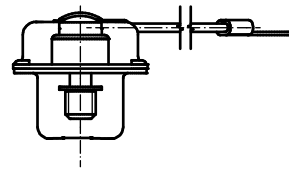
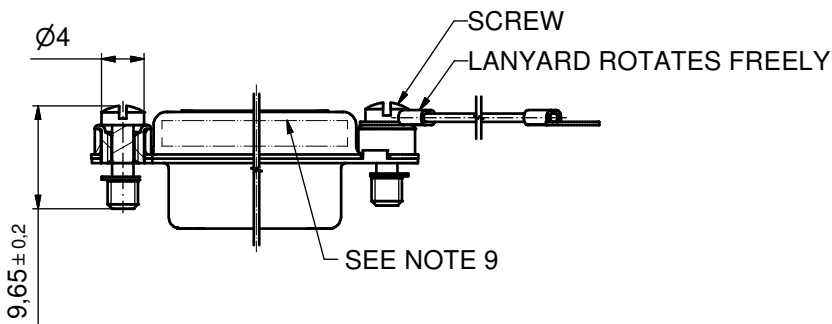
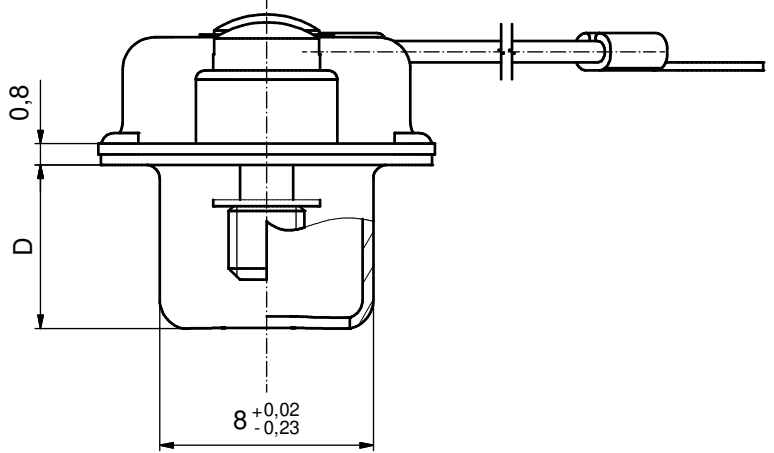
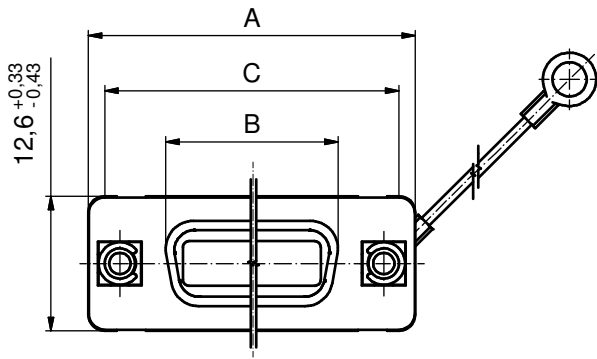
Tel: +86-755-8981 8866 Fax: +86-755-8427 6832

Email & Skype: info@chipsmall.com Web: www.chipsmall.com

Address: A1208, Overseas Decoration Building, #122 Zhenhua RD., Futian, Shenzhen, China



(5:1)



No. of pos.	A ^{-0,76}	B ^{-0,25}	C	D ^{-0,3}
9	31,19	16,46	25,00 ^{+0,12} _{-0,10}	6,12
15	39,52	24,79	33,30 ^{+0,15}	6,12
25	53,42	38,50	47,04 ± 0,13	5,99
37	69,70	54,96	63,50 ^{+0,13} _{-0,11}	5,99

Directive 2002/95/EC
"RoHS"
Compliant

Part No. for plug connector		
No. of pos.	UNC 4-40	M 3
9	16-001150	16-001100
15	16-001160	16-001110
25	16-001170	16-001120
37	16-001180	16-001130

NOTES:

- METAL SHELLS: STEEL; min. 315µm TIN over 40-80µm NICKEL
- THREADED INSERT: COPPER ALLOY; min. 200µm TIN over 80µm NICKEL
- COLLAR: COPPER ALLOY; min. 200µm TIN over 80µm NICKEL
- SCREW: STEEL; NICKEL PLATED
- WIRE ROPE: STAINLESS STEEL 1.4401
- RETAINING WASHER: STAINLESS STEEL 1.4122
- TERMINAL RING: UNINSULATED, COPPER ALLOY; min. 200µm TIN over 80µm NICKEL
- MAXIMUM TORQUE VALUE FOR THREAD: 6in.LB
- CONNECTOR IS PART MARKED: PART NO. CONEC ABC

APPROVAL # FREIGABE # DEBLOCAGE # AUTORIZACION # APPROVAL

CUSTOMER APPROVAL DATE:

NAME: _____ TITLE: _____

COMPANY NAME: _____

APPROVAL # FREIGABE # DEBLOCAGE # AUTORIZACION # APPROVAL

THIS DRAWING MAY NOT BE COPIED OR REPRODUCED IN ANY WAY AND MAY NOT BE PASSED ON TO A THIRD PARTY WITHOUT WRITTEN PERMISSION. OWNERSHIP AND COPYRIGHT OF CONEC GmbH

DO NOT ALTER CAD DRAWING BY HAND		tolerance	dim. in mm	scale:
ISO 2768-m				2:1 (5:1)
date	name	drawn	name	material:
		20.11.08	Petker	SEE NOTES
		appd.	Fischer	title:
		norm		SCREEN CAP
		d-old		9-37pos. FOR PLUG CONNECTOR
a	Origin			with threaded insert, screw and wire rope
rev.	description	date	name	dwg no:
				Inventor 10
				16K1A2402
				part no:
				see table



material:	SEE NOTES
title:	SCREEN CAP 9-37pos. FOR PLUG CONNECTOR with threaded insert, screw and wire rope
dwg no:	Inventor 10
	16K1A2402
part no:	see table
	DIN-A3
	sh: 1