



Chipsmall Limited consists of a professional team with an average of over 10 year of expertise in the distribution of electronic components. Based in Hongkong, we have already established firm and mutual-benefit business relationships with customers from,Europe,America and south Asia,supplying obsolete and hard-to-find components to meet their specific needs.

With the principle of “Quality Parts,Customers Priority,Honest Operation,and Considerate Service”,our business mainly focus on the distribution of electronic components. Line cards we deal with include Microchip,ALPS,ROHM,Xilinx,Pulse,ON,Everlight and Freescale. Main products comprise IC,Modules,Potentiometer,IC Socket,Relay,Connector.Our parts cover such applications as commercial,industrial, and automotives areas.

We are looking forward to setting up business relationship with you and hope to provide you with the best service and solution. Let us make a better world for our industry!



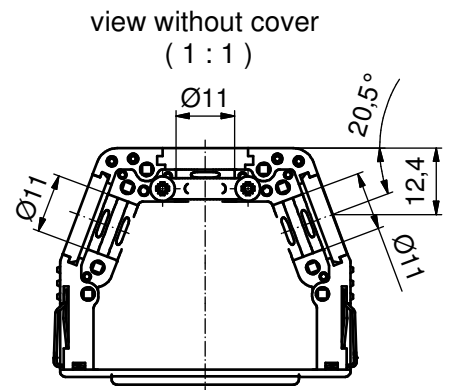
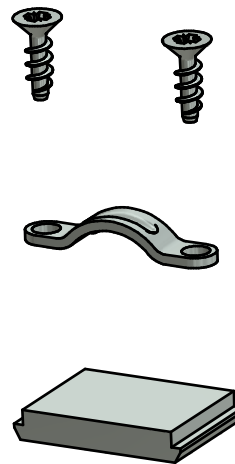
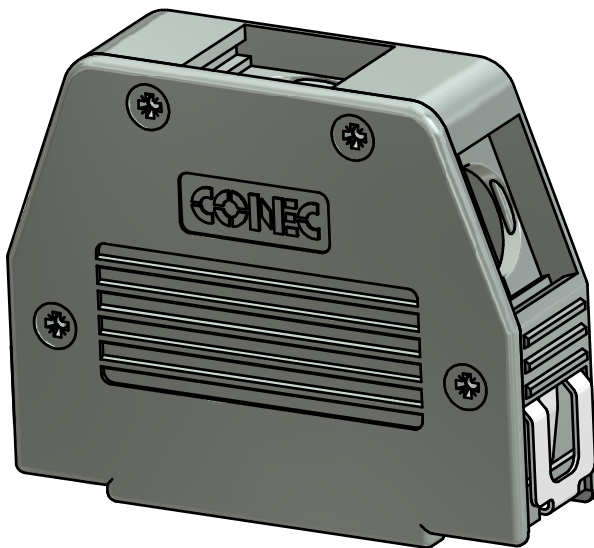
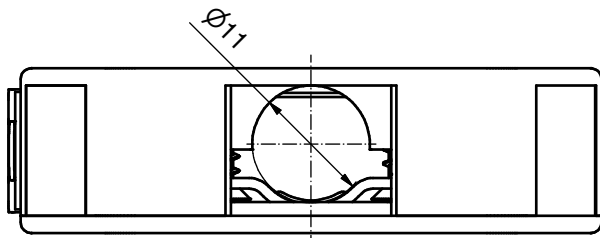
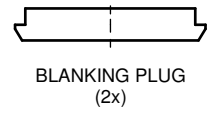
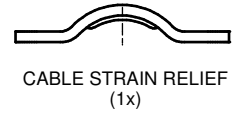
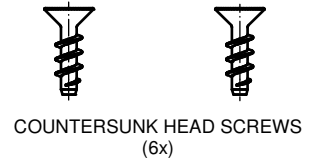
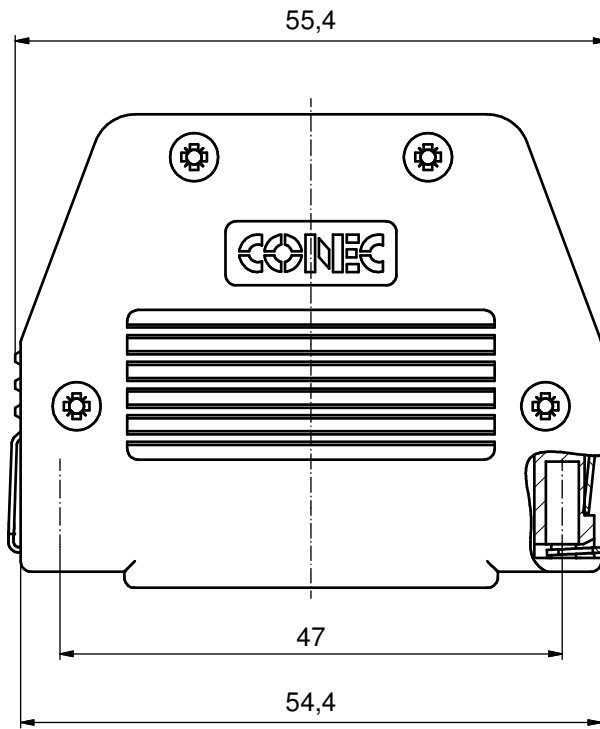
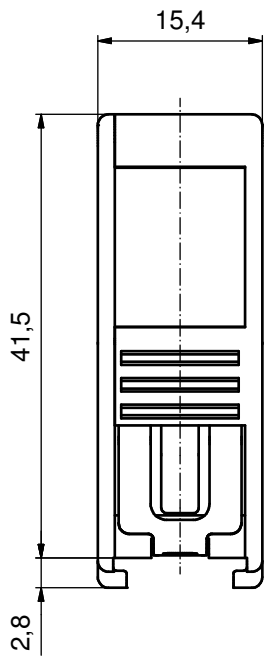
Contact us

Tel: +86-755-8981 8866 Fax: +86-755-8427 6832

Email & Skype: info@chipsmall.com Web: www.chipsmall.com

Address: A1208, Overseas Decoration Building, #122 Zhenhua RD., Futian, Shenzhen, China





HOOD ASSEMBLY CONSISTS OF:

1. HOOD + COVER: ABS UL 94 V-0; NICKEL PLATED
2. BLANKING PLUGS: ABS UL 94 V-0; NICKEL PLATED
3. CABLE STRAIN RELIEF: STEEL; NICKEL PLATED
4. CLIP: STAINLESS STEEL
5. COUNTERSUNK HEAD SCREWS: STEEL; NICKEL PLATED

(b)	Part-No.	Part-No.
	Bulk package	Single package
	16-001770	16-001770E

THIS DRAWING MAY NOT BE COPIED OR REPRODUCED IN ANY WAY, AND MAY NOT BE PASSED ON TO A THIRD PARTY WITHOUT WRITTEN PERMISSION. OWNERSHIP AND COPYRIGHT OF CONEC GmbH DO NOT ALTER CAD DRAWING BY HAND				tolerance		scale: 2:1 (1:1)	
				dim. in mm		material: see drawing	
				date	name	title: Plastic Hood 25pos with Snap Lock / top and two sides cable exit	
				drawn	24.09.14 Henneboel		
				appd.	24.09.14 Strakerjahn		
				norm		dwg no: 16K1A3531	
				d-old			DIN-A3 sh: 1
			2 x b	A5619	22.04.2015	K.H.	part no: (b) SEE TABLE
			a	Original			
			rev.	description	date	name	

RoHS compliant

