



Chipsmall Limited consists of a professional team with an average of over 10 year of expertise in the distribution of electronic components. Based in Hongkong, we have already established firm and mutual-benefit business relationships with customers from,Europe,America and south Asia,supplying obsolete and hard-to-find components to meet their specific needs.

With the principle of “Quality Parts,Customers Priority,Honest Operation,and Considerate Service”,our business mainly focus on the distribution of electronic components. Line cards we deal with include Microchip,ALPS,ROHM,Xilinx,Pulse,ON,Everlight and Freescale. Main products comprise IC,Modules,Potentiometer,IC Socket,Relay,Connector.Our parts cover such applications as commercial,industrial, and automotives areas.

We are looking forward to setting up business relationship with you and hope to provide you with the best service and solution. Let us make a better world for our industry!



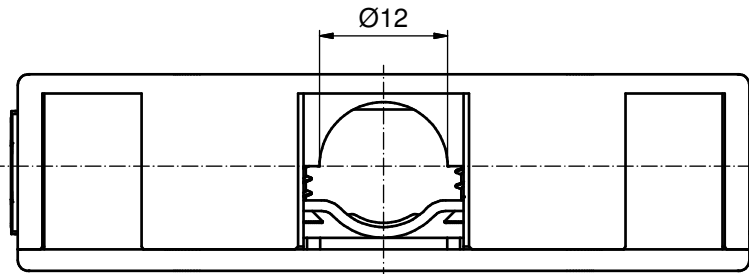
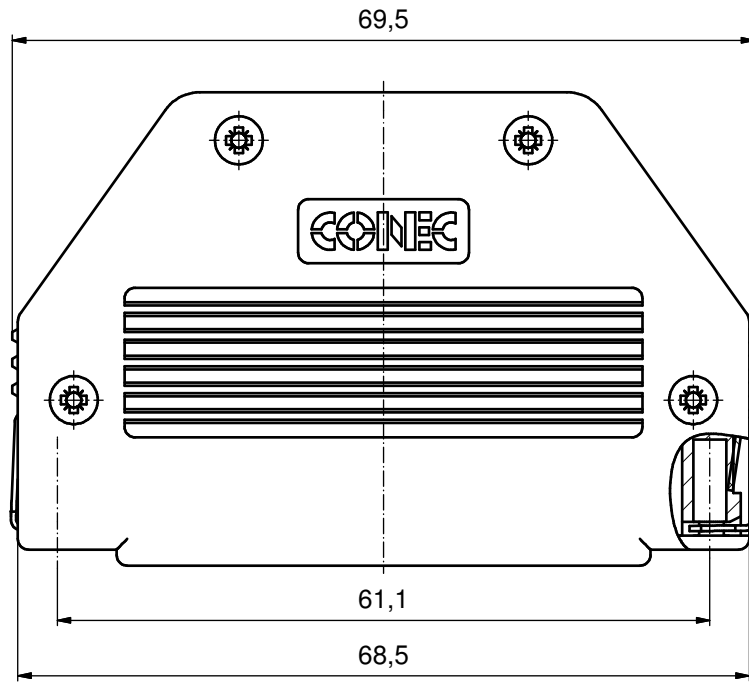
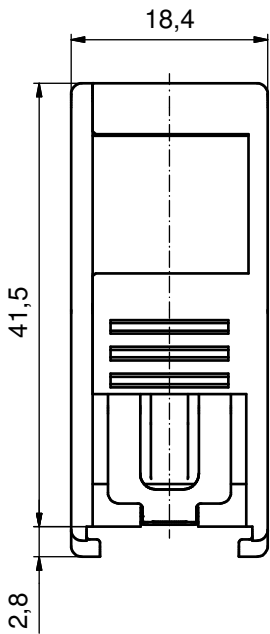
Contact us

Tel: +86-755-8981 8866 Fax: +86-755-8427 6832

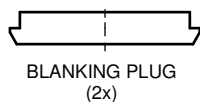
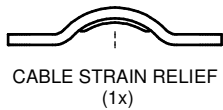
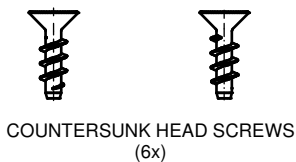
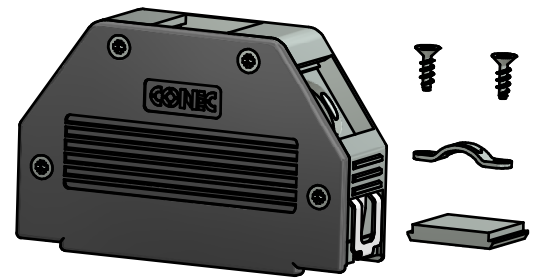
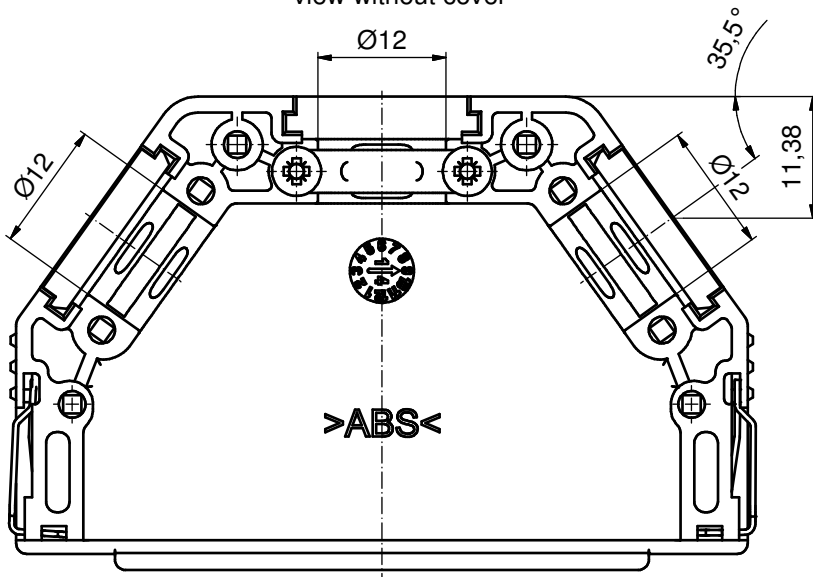
Email & Skype: info@chipsmall.com Web: www.chipsmall.com

Address: A1208, Overseas Decoration Building, #122 Zhenhua RD., Futian, Shenzhen, China





view without cover



b	Part-No.	Part-No.
	Bulk package	Single package
	16-001790	16-001790E

RoHS compliant

HOOD ASSEMBLY CONSISTS OF:

1. HOOD + COVER: ABS UL 94 V-0; NICKEL PLATED
2. BLANKING PLUGS: ABS UL 94 V-0; NICKEL PLATED
3. CABLE STRAIN RELIEF: STEEL; NICKEL PLATED
4. CLIP: STAINLESS STEEL
5. COUNTERSUNK HEAD SCREWS: STEEL; NICKEL PLATED

THIS DRAWING MAY NOT BE COPIED OR REPRODUCED IN ANY WAY, AND MAY NOT BE PASSED ON TO A THIRD PARTY WITHOUT WRITTEN PERMISSION. OWNERSHIP AND COPYRIGHT OF CONEC GmbH DO NOT ALTER CAD DRAWING BY HAND	tolerance		dim. in mm		scale: 2:1 (1:1)	
	date		name		material: see drawing	
	drawn	25.09.14	Henneboel		title: Plastic Hood 50pos with Snap Lock / top and two sides cable exit	
	appd.	25.09.14	Strakerjahn			
	norm					
	d-old				dwg no:	
2 x b	A5619	22.04.2015	K.H.	16K1A3533		
a	Original			DIN-A3		
rev.	description	date	name	sh: 1		
CONEC				part no: b SEE TABLE		