



Chipsmall Limited consists of a professional team with an average of over 10 year of expertise in the distribution of electronic components. Based in Hongkong, we have already established firm and mutual-benefit business relationships with customers from,Europe,America and south Asia,supplying obsolete and hard-to-find components to meet their specific needs.

With the principle of “Quality Parts,Customers Priority,Honest Operation,and Considerate Service”,our business mainly focus on the distribution of electronic components. Line cards we deal with include Microchip,ALPS,ROHM,Xilinx,Pulse,ON,Everlight and Freescale. Main products comprise IC,Modules,Potentiometer,IC Socket,Relay,Connector.Our parts cover such applications as commercial,industrial, and automotives areas.

We are looking forward to setting up business relationship with you and hope to provide you with the best service and solution. Let us make a better world for our industry!



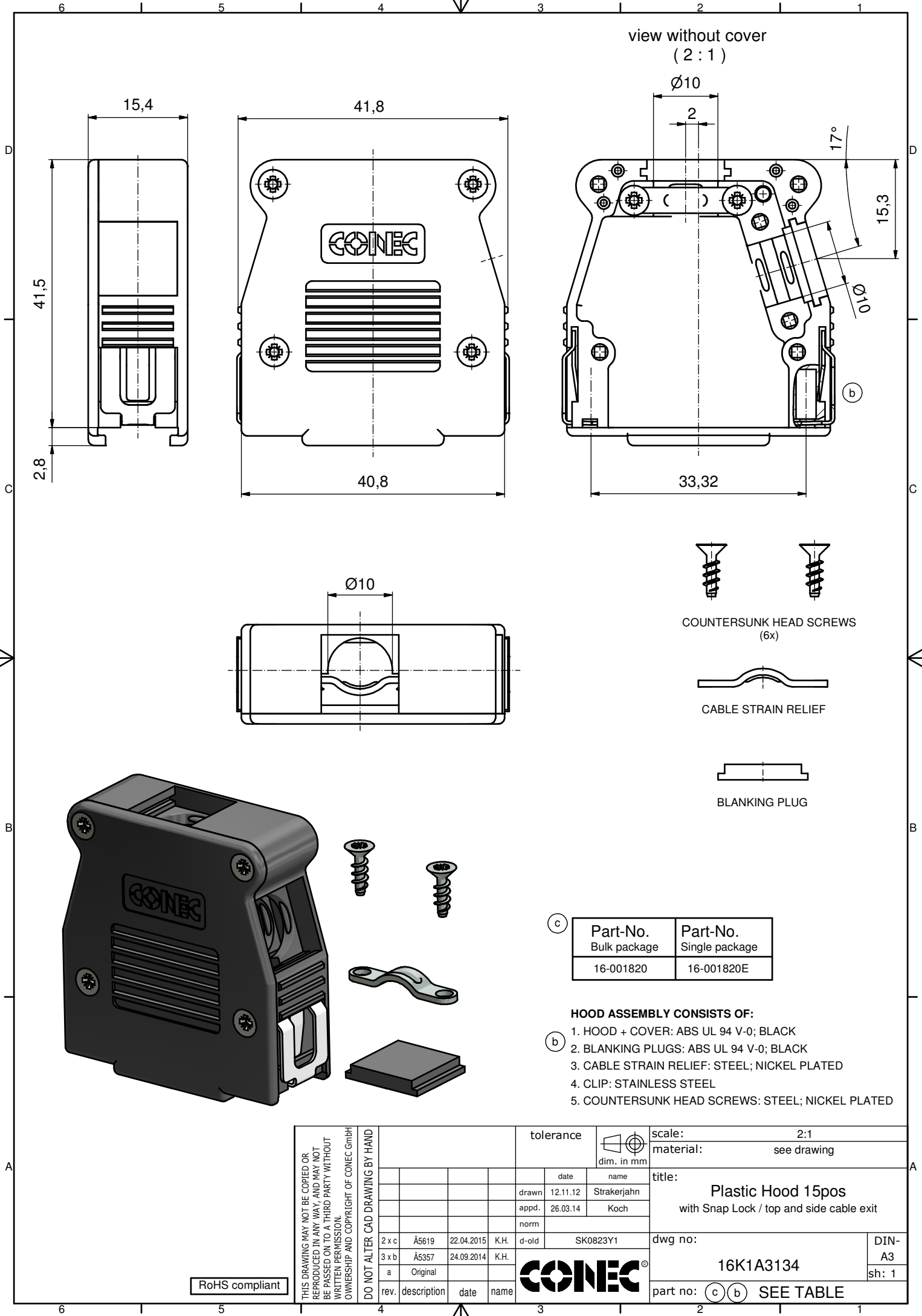
## Contact us

Tel: +86-755-8981 8866 Fax: +86-755-8427 6832

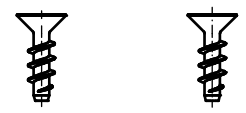
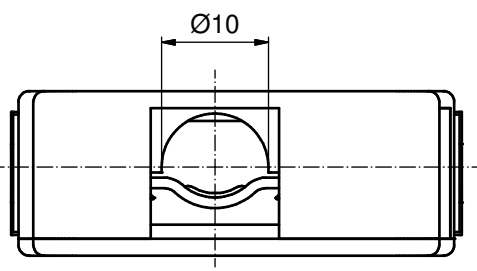
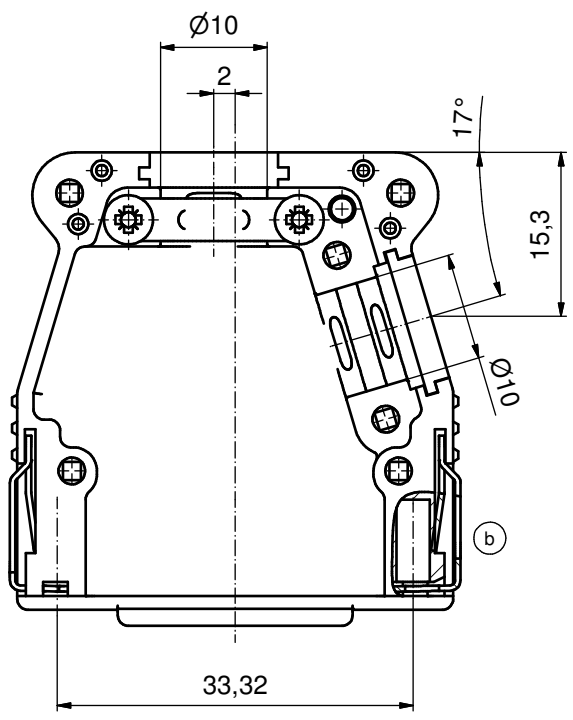
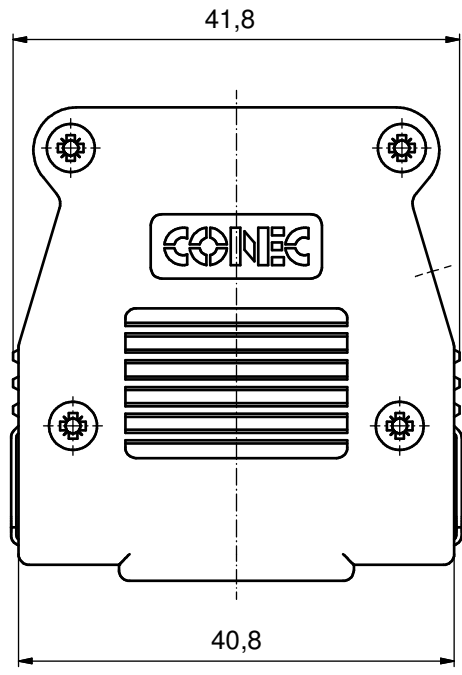
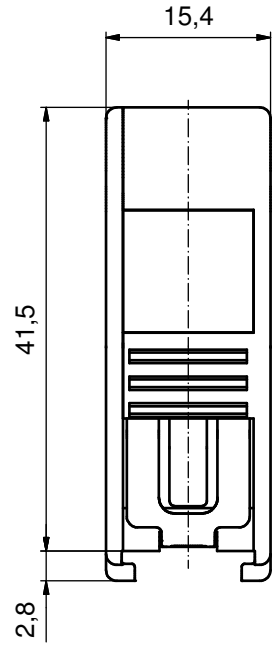
Email & Skype: info@chipsmall.com Web: www.chipsmall.com

Address: A1208, Overseas Decoration Building, #122 Zhenhua RD., Futian, Shenzhen, China





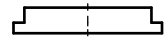
view without cover  
(2:1)



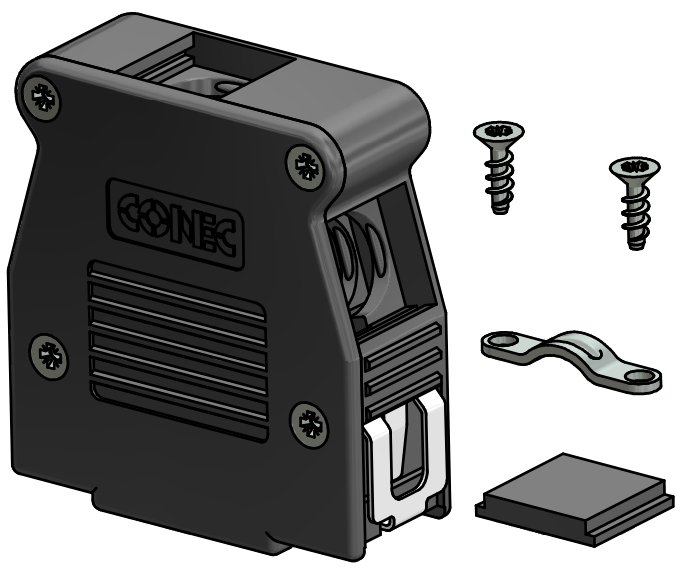
COUNTERSUNK HEAD SCREWS  
(6x)



CABLE STRAIN RELIEF



BLANKING PLUG



(c)	Part-No. Bulk package	Part-No. Single package
	16-001820	16-001820E

**HOOD ASSEMBLY CONSISTS OF:**

- 1. HOOD + COVER: ABS UL 94 V-0; BLACK
- 2. BLANKING PLUGS: ABS UL 94 V-0; BLACK
- 3. CABLE STRAIN RELIEF: STEEL; NICKEL PLATED
- 4. CLIP: STAINLESS STEEL
- 5. COUNTERSUNK HEAD SCREWS: STEEL; NICKEL PLATED

RoHS compliant

THIS DRAWING MAY NOT BE COPIED OR REPRODUCED IN ANY WAY, AND MAY NOT BE PASSED ON TO A THIRD PARTY WITHOUT WRITTEN PERMISSION. OWNERSHIP AND COPYRIGHT OF CONEC GmbH DO NOT ALTER CAD DRAWING BY HAND	tolerance		dim. in mm		scale: 2:1	
					material: see drawing	
			date		name	
			drawn 12.11.12		Strakerjahn	
			appd. 26.03.14		Koch	
		norm				
2 x c	Ä5619	22.04.2015	K.H.	d-old	SK0823Y1	title: <b>Plastic Hood 15pos</b> with Snap Lock / top and side cable exit
3 x b	Ä5357	24.09.2014	K.H.			
a	Original					dwg no: <b>16K1A3134</b>
rev.	description	date	name	<b>CONEC</b> ®		DIN-A3
part no: (c) (b) SEE TABLE						sh: 1