



Chipsmall Limited consists of a professional team with an average of over 10 year of expertise in the distribution of electronic components. Based in Hongkong, we have already established firm and mutual-benefit business relationships with customers from,Europe,America and south Asia,supplying obsolete and hard-to-find components to meet their specific needs.

With the principle of “Quality Parts,Customers Priority,Honest Operation,and Considerate Service”,our business mainly focus on the distribution of electronic components. Line cards we deal with include Microchip,ALPS,ROHM,Xilinx,Pulse,ON,Everlight and Freescale. Main products comprise IC,Modules,Potentiometer,IC Socket,Relay,Connector.Our parts cover such applications as commercial,industrial, and automotives areas.

We are looking forward to setting up business relationship with you and hope to provide you with the best service and solution. Let us make a better world for our industry!



Contact us

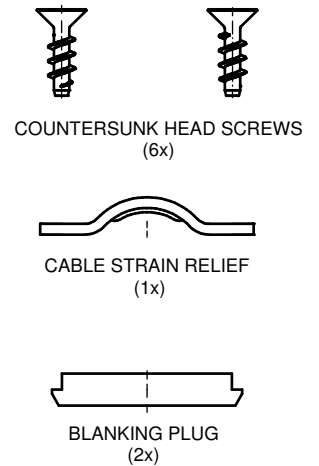
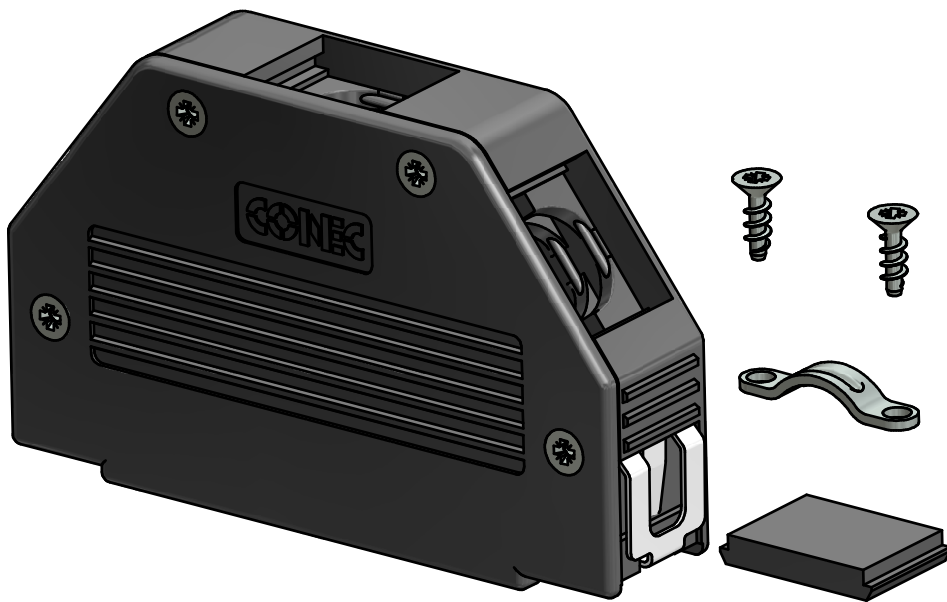
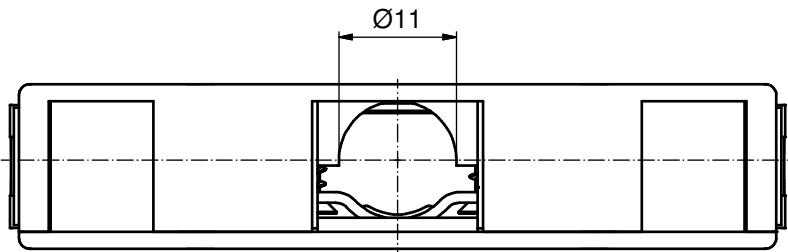
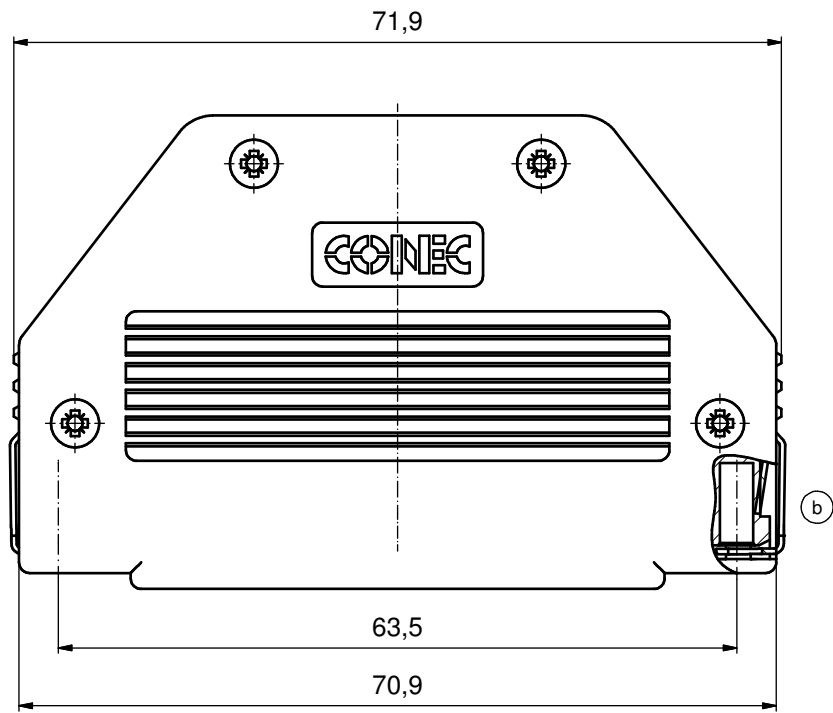
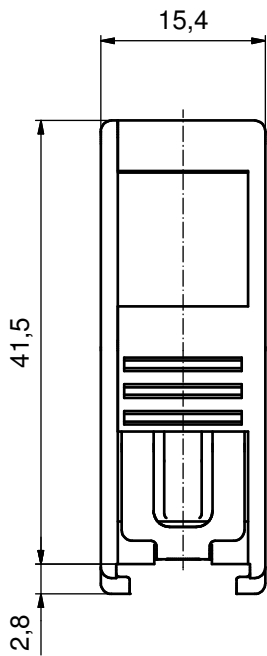
Tel: +86-755-8981 8866 Fax: +86-755-8427 6832

Email & Skype: info@chipsmall.com Web: www.chipsmall.com

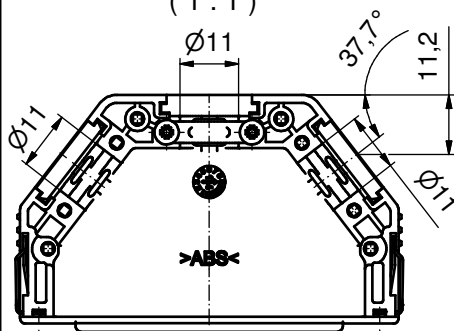
Address: A1208, Overseas Decoration Building, #122 Zhenhua RD., Futian, Shenzhen, China



6 5 4 3 2 1



view without cover (1:1)



RoHS compliant

Part-No.	Part-No.
Bulk package	Single package
16-001840	16-001840E

- HOOD ASSEMBLY CONSISTS OF:**
- (b) 1. HOOD + COVER: ABS UL 94 V-0; BLACK
 - 2. BLANKING PLUGS: ABS UL 94 V-0; BLACK
 - 3. CABLE STRAIN RELIEF: STEEL; NICKEL PLATED
 - 4. CLIP: STAINLESS STEEL
 - 5. COUNTERSUNK HEAD SCREWS: STEEL; NICKEL PLATED

THIS DRAWING MAY NOT BE COPIED OR REPRODUCED IN ANY WAY, AND MAY NOT BE PASSED ON TO A THIRD PARTY WITHOUT WRITTEN PERMISSION. OWNERSHIP AND COPYRIGHT OF CONEC GmbH DO NOT ALTER CAD DRAWING BY HAND	tolerance		dim. in mm		scale: 2:1 (1:1)	
	material:		see drawing			
	drawn	13.11.12	name		title:	
	appd.	06.05.14	Strakerjahn		Plastic Hood 37pos	
norm		Koch		with Snap Lock / top and two sides cable exit		
2 x b	Ä5619	22.04.2015	K.H.	d-old	SK0823Y15	dwg no:
3 x b	Ä5357	25.09.2014	K.H.			DIN-A3
a	Original					sh: 1
rev.	description	date	name			part no: (c) (b) SEE TABLE