



Chipsmall Limited consists of a professional team with an average of over 10 year of expertise in the distribution of electronic components. Based in Hongkong, we have already established firm and mutual-benefit business relationships with customers from,Europe,America and south Asia,supplying obsolete and hard-to-find components to meet their specific needs.

With the principle of "Quality Parts,Customers Priority,Honest Operation,and Considerate Service",our business mainly focus on the distribution of electronic components. Line cards we deal with include Microchip,ALPS,ROHM,Xilinx,Pulse,ON,Everlight and Freescale. Main products comprise IC,Modules,Potentiometer,IC Socket,Relay,Connector.Our parts cover such applications as commercial,industrial, and automotives areas.

We are looking forward to setting up business relationship with you and hope to provide you with the best service and solution. Let us make a better world for our industry!



Contact us

Tel: +86-755-8981 8866 Fax: +86-755-8427 6832

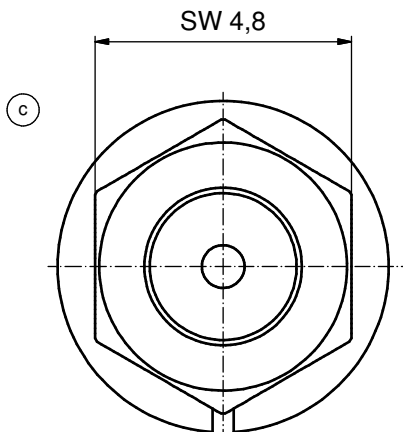
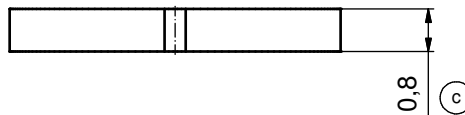
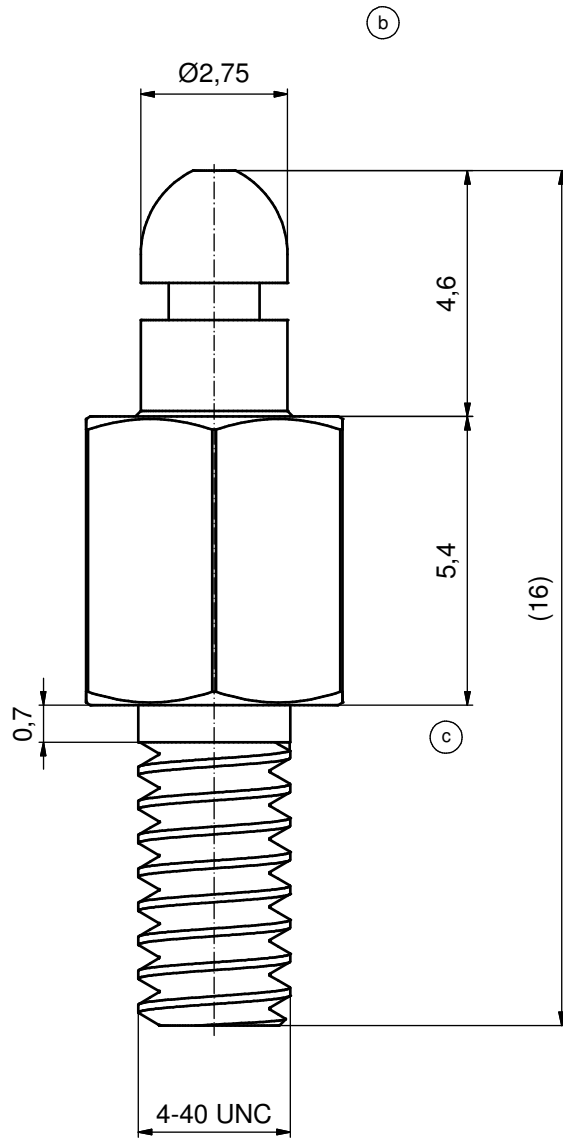
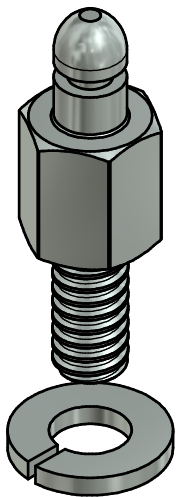
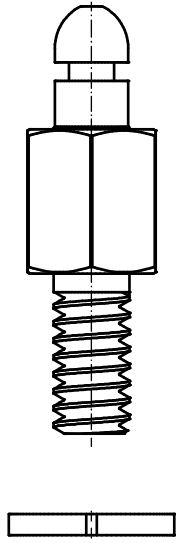
Email & Skype: info@chipsmall.com Web: www.chipsmall.com

Address: A1208, Overseas Decoration Building, #122 Zhenhua RD., Futian, Shenzhen, China



A set consists of:

- 2 detent pin
- 2 spring washer



NOTES:

1. Detent pin: Steel; Nickel plated
2. Spring washer: Steel; Nickel plated

RoHS compliant

THIS DRAWING MAY NOT BE COPIED OR REPRODUCED IN ANY WAY, AND MAY NOT BE PASSED ON TO A THIRD PARTY WITHOUT WRITTEN PERMISSION. OWNERSHIP AND COPYRIGHT OF CONEC GmbH DO NOT ALTER CAD DRAWING BY HAND					tolerance		scale:	10:1			
					ISO 2768-m		dim. in mm	material:	SEE NOTES		
					date	name	title:				
					drawn	22.10.14	Henneboel	Detent Pin with threaded 4-40 UNC for Snap Lock with spring ring			
					appd.	22.10.14	Strakerjahn				
					norm						
	3 x c	Ä5856	15.10.2015	K.H.	d-old			dwg no:	DIN-A3		
2 x b	Ä5449	09.12.2014	B.S.			16K1A3544		sh: 1			
a	Original					part no:		16-002190			
rev.	description	date	name								