



Chipsmall Limited consists of a professional team with an average of over 10 year of expertise in the distribution of electronic components. Based in Hongkong, we have already established firm and mutual-benefit business relationships with customers from,Europe,America and south Asia,supplying obsolete and hard-to-find components to meet their specific needs.

With the principle of “Quality Parts,Customers Priority,Honest Operation,and Considerate Service”,our business mainly focus on the distribution of electronic components. Line cards we deal with include Microchip,ALPS,ROHM,Xilinx,Pulse,ON,Everlight and Freescale. Main products comprise IC,Modules,Potentiometer,IC Socket,Relay,Connector.Our parts cover such applications as commercial,industrial, and automotives areas.

We are looking forward to setting up business relationship with you and hope to provide you with the best service and solution. Let us make a better world for our industry!



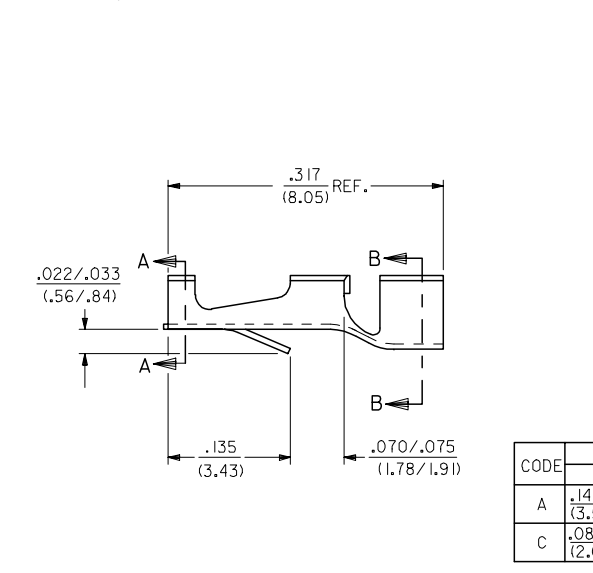
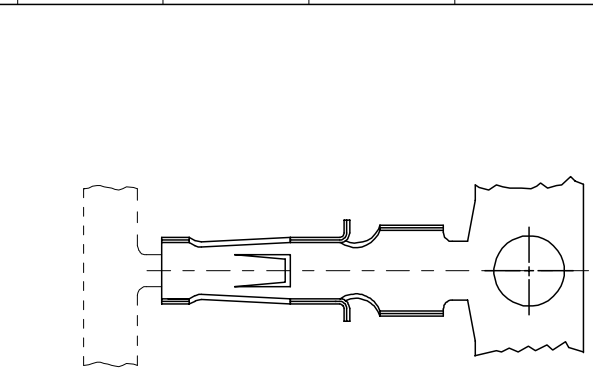
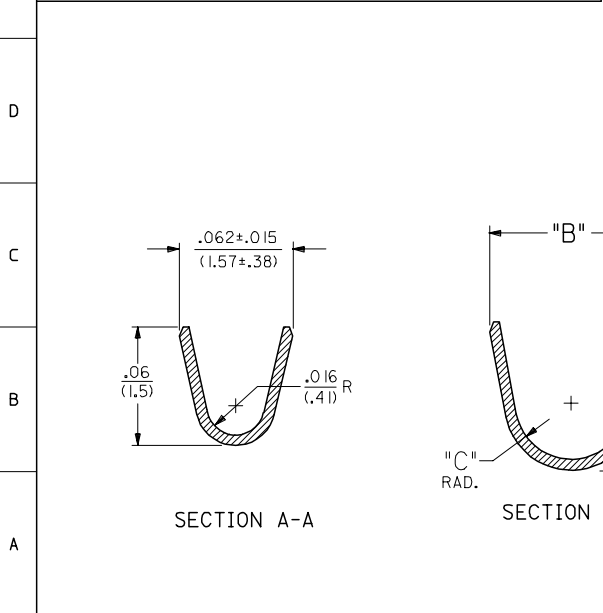
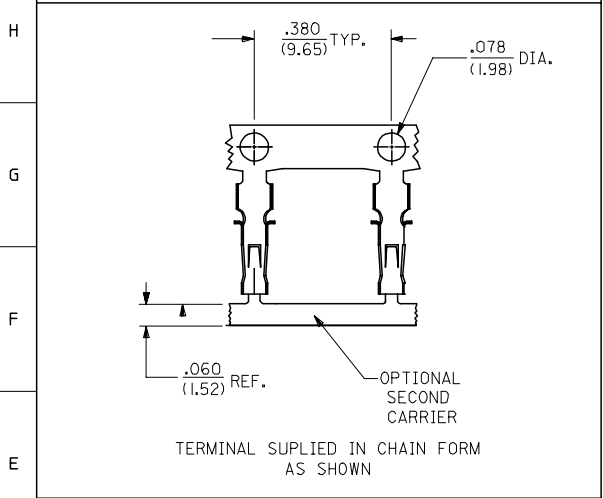
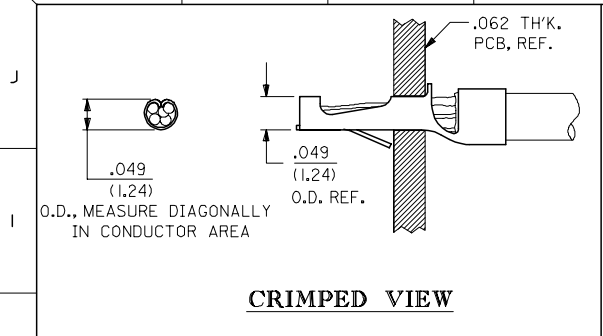
## Contact us

Tel: +86-755-8981 8866 Fax: +86-755-8427 6832

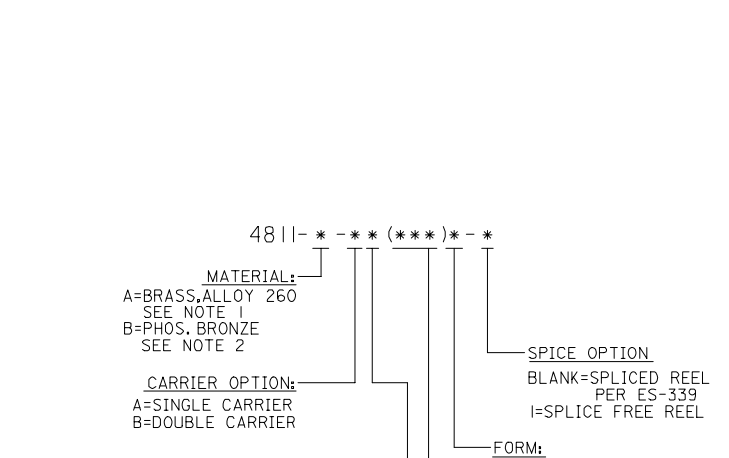
Email & Skype: info@chipsmall.com Web: www.chipsmall.com

Address: A1208, Overseas Decoration Building, #122 Zhenhua RD., Futian, Shenzhen, China





- NOTES:
1. MATERIAL: BRASS, .006/(.15) TH'K., ALLOY 260
  2. MATERIAL: PHOS. BRONZE, .006/(.15) TH'K., ALLOY 510
  3. THIS PART TO CONFORM TO MOLEX SOLDERABILITY SPEC. I52.
  4. PRODUCT SPECIFICATION: PS-4706-001
  5. RECOMMENDED .051±.002 DIA. HOLE FOR .062 TH'K. PCB.
  6. TOOLING MUST BE ORDERED BY AWG. WIRE SIZE.
  7. 4811-\*\*\*A(\*\*\*)\*\*\* TERMINAL WILL ACCOMMODATE #22 TO 26 AWG. WIRE WITH .100/(2.54) MAX. DIA. INSULATION.
  8. 4811-\*\*\*C(\*\*\*)\*\*\* TERMINAL WILL ACCOMMODATE #22 TO 26 AWG. WIRE WITH .060/(1.52) MAX. DIA. INSULATION.
  9. PLATING PER SD5-88, PLATING MUST MEET SPEC. ON OUTER SURFACES.



CODE	DIMENSION			WIRE SIZE
	*A*	*B*	*C* RAD.	
A	.140±.005 (3.56±.13)	.170±.010 (4.32±.25)	.062 (1.57)	SEE NOTE 7
C	.082±.005 (2.08±.13)	.092±.010 (2.34±.25)	.031 (.79)	SEE NOTE 8

PLATING CODE: \_\_\_\_\_

(FOR ADDITIONAL PLATING, SEE SD5-88)

\*909 OVERALL HOT TIN DIP: 2.54 MICROMETERS MIN.

\*THE PRIMARY SHIPPING CARTON WILL BE LABELED "COMPLIANT TO ROHS DIRECTIVE 2002/95/EC AND ELV ANNEX II OF DIRECTIVE 2000/53/EC." CARTONS WITHOUT THIS LABEL MAY CONTAIN PRODUCT WITH TIN-LEAD PLATING.

SEE CHART EC NO: UCP2005-0973 DRW:ADRA1NOL 2004/11/19 CHKD:SAMIEC 2004/11/08 APPR:YMARQUILLIS 2004/11/08	QUALITY SYMBOLS	GENERAL TOLERANCES (UNLESS SPECIFIED)	DIMENSION STYLE IN/MM	SCALE ---	DESIGN UNITS INCH	THIRD ANGLE PROJECTION
	▽=0 ▽=0	mm INCH 4 PLACES ± --- ± --- 3 PLACES ± --- ± .010 2 PLACES ± 0.25 ± .014 1 PLACE ± 0.35 ± --- ANGULAR ±1/2°	DRAWN BY DATE GMC 05/02/89 CHECKED BY DATE PATEL 05/02/89 APPROVED BY DATE LENZ 05/02/89	TITLE	TERMINAL, STRAIN RELIEF 4811 SERIES DWG	
	MATERIAL NO. SEE CHART SIZE C	DRAFT WHERE APPLICABLE MUST REMAIN WITHIN DIMENSIONS		DOCUMENT NO. SD-4811-***	SHEET NO. 1 OF 3	
	THIS DRAWING CONTAINS INFORMATION THAT IS PROPRIETARY TO MOLEX INCORPORATED AND SHOULD NOT BE USED WITHOUT WRITTEN PERMISSION					

	13	12	11	10	9	8	7	6	5	4	3	2	1																						
	4811-A-AA(***)*			4811-A-AC(***)*			4811-A-BA(***)*			4811-A-BC(***)*																									
J	PART NO.	ENG. NO		PART NO.	ENG. NO		PART NO.	ENG. NO		PART NO.	ENG. NO			J																					
	16-02-0037	-A-AA(P909)CB		16-02-0034	-A-AC(P909)CB		16-02-0041	-A-BA(P909)CB		16-02-0047	-A-BC(P909)CB																								
I														I																					
H														H																					
G														G																					
F														F																					
E														E																					
D														D																					
C														C																					
B	COLUMN NO. 1	CON'T. IN COLUMN NO.	SHEET NO.	COLUMN NO. 2	CON'T. IN COLUMN NO.	SHEET NO.	COLUMN NO. 3	CON'T. IN COLUMN NO.	SHEET NO.	COLUMN NO. 4	CON'T. IN COLUMN NO.	SHEET NO.		B																					
A	CHANGE TO ME10 EC NO: UCP2005-0973 DRAWN/ADRATNOL 2004/11/19 CHKD: SAMIEC 2004/11/09 APPR: YHARGUJUS 2004/11/09			QUALITY SYMBOLS 		GENERAL TOLERANCES (UNLESS SPECIFIED) <table border="1"> <thead> <tr> <th></th> <th>mm</th> <th>INCH</th> </tr> </thead> <tbody> <tr> <td>4 PLACES</td> <td>± .005</td> <td>± .0005</td> </tr> <tr> <td>3 PLACES</td> <td>± .005</td> <td>± .0005</td> </tr> <tr> <td>2 PLACES</td> <td>± 0.13</td> <td>± .01</td> </tr> <tr> <td>1 PLACE</td> <td>± 0.25</td> <td>± .01</td> </tr> <tr> <td colspan="3">ANGULAR ±1/2°</td> </tr> </tbody> </table>			mm	INCH	4 PLACES	± .005	± .0005	3 PLACES	± .005	± .0005	2 PLACES	± 0.13	± .01	1 PLACE	± 0.25	± .01	ANGULAR ±1/2°			DIMENSION STYLE IN/MM DRAWN BY DATE COMSTOCK 04/17/89 CHECKED BY DATE PATEL 04/17/89 APPROVED BY DATE LENZ 04/17/89		SCALE --- DESIGN UNITS INCH THIRD ANGLE PROJECTION TITLE TERMINAL, STRAIN RELIEF 4811 SERIES DWG		MATERIAL NO. SEE CHART DOCUMENT NO. SD-4811-* SHEET NO. 2		MOLEX INCORPORATED THIS DRAWING CONTAINS INFORMATION THAT IS PROPRIETARY TO MOLEX INCORPORATED AND SHOULD NOT BE USED WITHOUT WRITTEN PERMISSION			A
	mm	INCH																																	
4 PLACES	± .005	± .0005																																	
3 PLACES	± .005	± .0005																																	
2 PLACES	± 0.13	± .01																																	
1 PLACE	± 0.25	± .01																																	
ANGULAR ±1/2°																																			
	13	12	11	10	9	8	7	6	5	4	3	2	1																						