



Chipsmall Limited consists of a professional team with an average of over 10 year of expertise in the distribution of electronic components. Based in Hongkong, we have already established firm and mutual-benefit business relationships with customers from,Europe,America and south Asia,supplying obsolete and hard-to-find components to meet their specific needs.

With the principle of “Quality Parts,Customers Priority,Honest Operation,and Considerate Service”,our business mainly focus on the distribution of electronic components. Line cards we deal with include Microchip,ALPS,ROHM,Xilinx,Pulse,ON,Everlight and Freescale. Main products comprise IC,Modules,Potentiometer,IC Socket,Relay,Connector.Our parts cover such applications as commercial,industrial, and automotives areas.

We are looking forward to setting up business relationship with you and hope to provide you with the best service and solution. Let us make a better world for our industry!



Contact us

Tel: +86-755-8981 8866 Fax: +86-755-8427 6832

Email & Skype: info@chipsmall.com Web: www.chipsmall.com

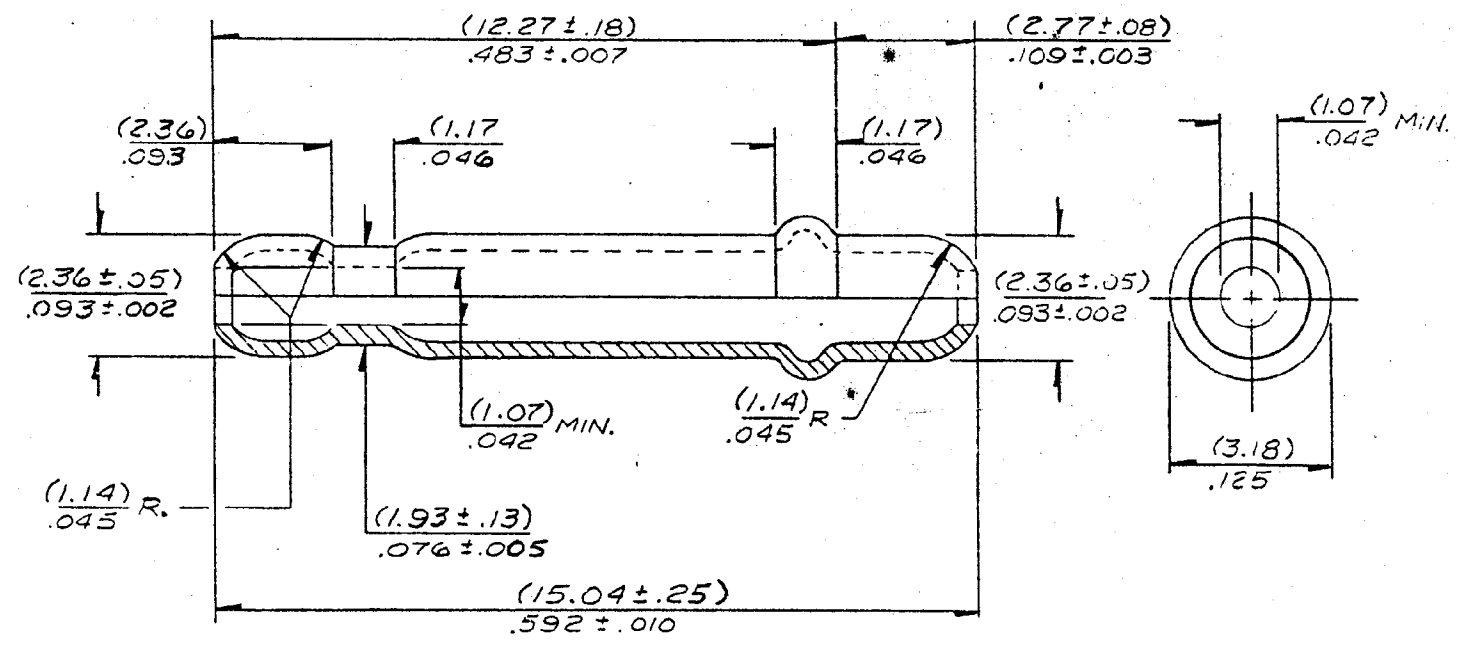
Address: A1208, Overseas Decoration Building, #122 Zhenhua RD., Futian, Shenzhen, China



575

PART NO.
16-06-0005
ENG. NO.
SDSP-575-125

575
13



MAT'L: 70/30 BRASS
FINISH: ELECTRO TIN PLATE (0,00508)/.000200 MIN. PER E.S.-88-125.

FINAL REL. MAX 50060 11-00-75-740	REVISIONS	DIMENSION SHOWN (METRIC)/INCH UNLESS OTHERWISE SPECIFIED TOLERANCE: INCH METRIC 3 PLACE ± .010 ± 0.25 2 PLACE ± .014 ± 0.36 1 PLACE ± .014 ± 0.36 ANGULAR 1/2° DRAFT WHERE APPLICABLE MUST REMAIN WITHIN DIMENSIONS UNLESS OTHERWISE SPECIFIED DO NOT SCALE DRAWING		TITLE .093/(2.36) DIA. PIN FOR P.C. BOARD MOUNTING	
		MOLEX INCORPORATED LISLE, ILL. 60532 U.S.A.		DATE 90/6/19	
DRWG BY TRM APP'D BY GWF		CHK'D BY RW SCALE 8X1		PART NO. 16-06-0005	
LTR.		ATWB		ENG. NO. SDSP-575-125	
THIS DRAWING CONTAINS INFORMATION THAT IS PROPRIETARY TO MOLEX INC. AND SHOULD NOT BE USED WITHOUT WRITTEN PERMISSION.					