



Chipsmall Limited consists of a professional team with an average of over 10 year of expertise in the distribution of electronic components. Based in Hongkong, we have already established firm and mutual-benefit business relationships with customers from,Europe,America and south Asia,supplying obsolete and hard-to-find components to meet their specific needs.

With the principle of “Quality Parts,Customers Priority,Honest Operation,and Considerate Service”,our business mainly focus on the distribution of electronic components. Line cards we deal with include Microchip,ALPS,ROHM,Xilinx,Pulse,ON,Everlight and Freescale. Main products comprise IC,Modules,Potentiometer,IC Socket,Relay,Connector.Our parts cover such applications as commercial,industrial, and automotives areas.

We are looking forward to setting up business relationship with you and hope to provide you with the best service and solution. Let us make a better world for our industry!



## Contact us

Tel: +86-755-8981 8866 Fax: +86-755-8427 6832

Email & Skype: info@chipsmall.com Web: www.chipsmall.com

Address: A1208, Overseas Decoration Building, #122 Zhenhua RD., Futian, Shenzhen, China

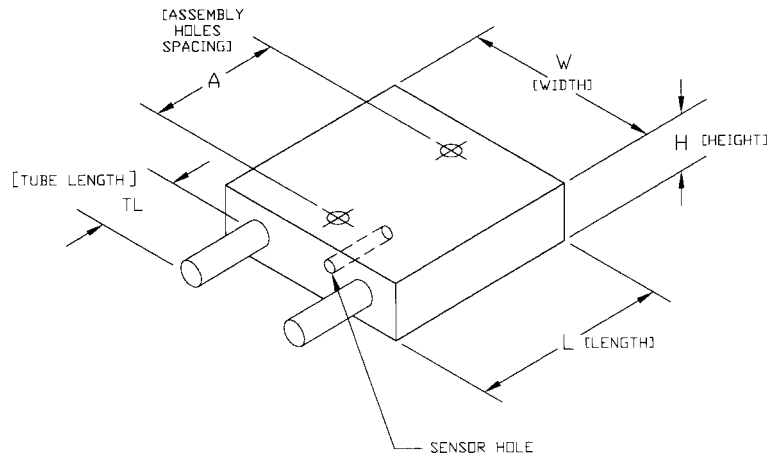


MELCOR's liquid heat exchangers are effective for cooling high powered applications where minimal temperature rise is desired, or they can be used as the flow area where a liquid's temperature is to be controlled. One of these, the LI-401, can be used with two thermoelectrics. The liquid heat exchangers are designed for use with our thermoelectric devices.

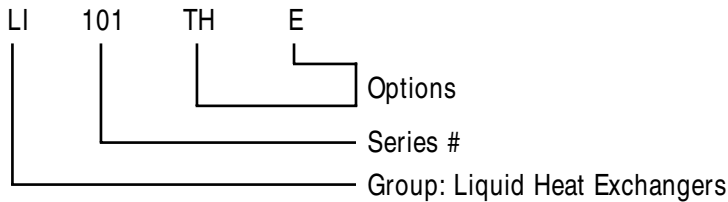
## Features

- All copper construction
- Machined finish
- Solderable surface
- External portion of tubes:  
Tube length = 1" (25.4mm) long,  
0.25" (6.4mm) outer diameter
- Internal waterways are 0.25" (6.4mm) inner diameter
- Sensor hole for temperature monitoring  
0.062" (1.58mm) diameter, 0.75" (19mm) deep
- Tapped or clearance assembly holes  
English 6-32 or Metric M3

## Mechanical Characteristics



## Models



Series #	Assembly Hole Spacing A	Number & maximum size of TEC
-100	1.5" (38mm) O.C.	1 x 1.34" (34mm)
-200	2.0" (51mm) O.C.	1 x 1.73" (44mm)
-300	3.0" (76mm) O.C.	1 x 2.44" (62mm)
-400	2.0" (51mm) O.C. (2 sets)	2 x 1.73" (44mm)

Options	Description
NH	No Holes
CL*	Clearance Holes
TH-E	Tapped Holes - English
TH-M	Tapped Holes - Metric

\* Standard

## Dimensions

Model	Width in (mm)	Length in (mm)	Height in (mm)
LI-101	1.25 (32)	2.0 (51)	0.38 (9.7)
LI-102	2.0 (51)	1.25 (32)	0.38 (9.7)
LI-201	2.0 (51)	2.25 (57)	0.50 (12.7)
LI-301	2.5 (64)	3.50 (89)	0.50 (12.7)
LI-401	2.0 (51)	6.00 (152)	0.50 (12.7)