



Chipsmall Limited consists of a professional team with an average of over 10 year of expertise in the distribution of electronic components. Based in Hongkong, we have already established firm and mutual-benefit business relationships with customers from,Europe,America and south Asia,supplying obsolete and hard-to-find components to meet their specific needs.

With the principle of “Quality Parts,Customers Priority,Honest Operation,and Considerate Service”,our business mainly focus on the distribution of electronic components. Line cards we deal with include Microchip,ALPS,ROHM,Xilinx,Pulse,ON,Everlight and Freescale. Main products comprise IC,Modules,Potentiometer,IC Socket,Relay,Connector.Our parts cover such applications as commercial,industrial, and automotives areas.

We are looking forward to setting up business relationship with you and hope to provide you with the best service and solution. Let us make a better world for our industry!



Contact us

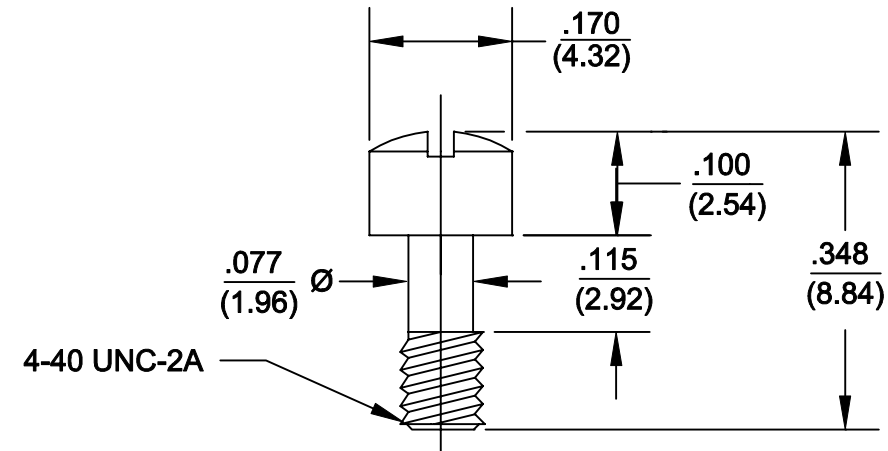
Tel: +86-755-8981 8866 Fax: +86-755-8427 6832

Email & Skype: info@chipsmall.com Web: www.chipsmall.com

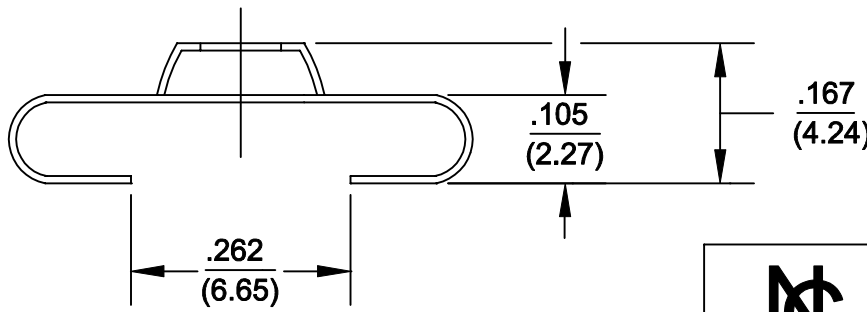
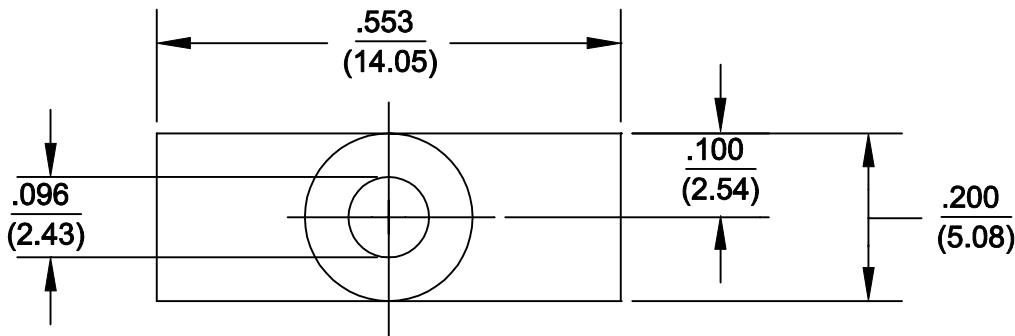
Address: A1208, Overseas Decoration Building, #122 Zhenhua RD., Futian, Shenzhen, China




DESCRIPTION: 4-40 MALE SCREWLOCK



	SCREW	CLIP	PLATING
KIT = 160-000-001-041	SSH-440-1-YC	RSO-1-YC	YELLOW CHROMATE
BULK = 160-000-001-042	SSH-440-1-YC	RSO-1-YC	YELLOW CHROMATE
KIT = 160-000-001-051	SSH-440-1-T	RSO-1-T	NICKEL
BULK = 160-000-001-052	SSH-440-1-T	RSO-1-T	NICKEL



KIT TO INCLUDE IN SEALED BAG:
2 SCREWS
2 CLIPS

	THESE DRAWINGS AND SPECIFICATIONS ARE THE PROPERTY OF NorComp AND SHALL NOT BE REPRODUCED, COPIED OR USED AS THE BASIS FOR THE MANUFACTURE OF SALE OF APPARATUS WITHOUT WRITTEN PERMISSION.		DRAWN: WAYNE ROBBINS	DATE: 9-14-98
			CHECKED:	DATE:
<h1>NorComp</h1>		SCALE: 1:4	SHEET 1 OF 1	REV 2
		DWG NO. 160-000-001-0XX		