



Chipsmall Limited consists of a professional team with an average of over 10 year of expertise in the distribution of electronic components. Based in Hongkong, we have already established firm and mutual-benefit business relationships with customers from,Europe,America and south Asia,supplying obsolete and hard-to-find components to meet their specific needs.

With the principle of “Quality Parts,Customers Priority,Honest Operation,and Considerate Service”,our business mainly focus on the distribution of electronic components. Line cards we deal with include Microchip,ALPS,ROHM,Xilinx,Pulse,ON,Everlight and Freescale. Main products comprise IC,Modules,Potentiometer,IC Socket,Relay,Connector.Our parts cover such applications as commercial,industrial, and automotives areas.

We are looking forward to setting up business relationship with you and hope to provide you with the best service and solution. Let us make a better world for our industry!



Contact us

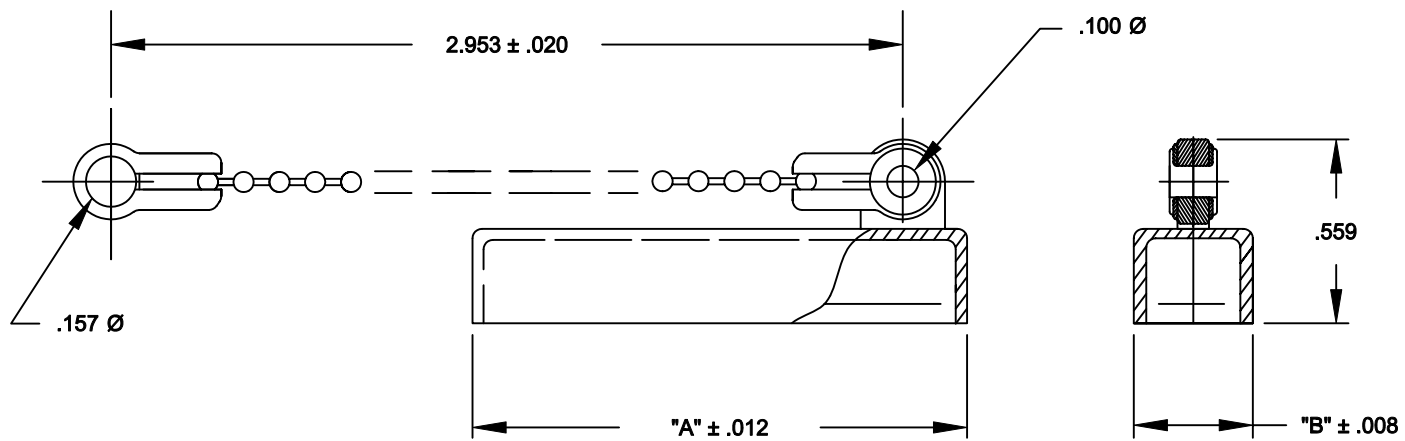
Tel: +86-755-8981 8866 Fax: +86-755-8427 6832

Email & Skype: info@chipsmall.com Web: www.chipsmall.com

Address: A1208, Overseas Decoration Building, #122 Zhenhua RD., Futian, Shenzhen, China



DESCRIPTION: MALE DUST CAPS W/LANYARD



MATERIAL CHART


SHELL SIZE	"A"	"B"	PART NUMBER SEE MATERIAL CHART
09	0.772	0.437	160-000-109R00Y
15	1.094	0.437	160-000-115R00Y
25	1.646	0.437	160-000-125R00Y
37	2.260	0.437	160-000-137R00Y
50	2.177	0.543	160-000-150R00Y

160-000-1YYR00Y
SHELL SIZE

- 1 = RED POLYETHYLENE (STANDARD)
- 2 = BLACK POLYETHYLENE (ANTI-STATIC)
- 3 = ABS, SELF-EXTINGUISHING UL 94V-O - (SHIELDED METALLIZED, NICKEL PLATING OVER COPPER)

ALL VARIATIONS OF DUST CAP MEET PROTECTION LEVEL IP 50 REQUIREMENTS (DIN 40050)

RoHS COMPLIANT

	THESE DRAWINGS AND SPECIFICATIONS ARE THE PROPERTY OF NorComp AND SHALL NOT BE REPRODUCED, COPIED OR USED AS THE BASIS FOR THE MANUFACTURE OR SALE OF APPARATUS WITHOUT WRITTEN PERMISSION.		DRAWN: PAM JENKINS	DATE: 8-15-06
			CHECKED:	DATE:
<h1>NorComp</h1>		SCALE:	SHEET 1 OF 1	REV 1
		DWG NO. 160-000-1YYR00Y		