



Chipsmall Limited consists of a professional team with an average of over 10 year of expertise in the distribution of electronic components. Based in Hongkong, we have already established firm and mutual-benefit business relationships with customers from,Europe,America and south Asia,supplying obsolete and hard-to-find components to meet their specific needs.

With the principle of “Quality Parts,Customers Priority,Honest Operation,and Considerate Service”,our business mainly focus on the distribution of electronic components. Line cards we deal with include Microchip,ALPS,ROHM,Xilinx,Pulse,ON,Everlight and Freescale. Main products comprise IC,Modules,Potentiometer,IC Socket,Relay,Connector.Our parts cover such applications as commercial,industrial, and automotives areas.

We are looking forward to setting up business relationship with you and hope to provide you with the best service and solution. Let us make a better world for our industry!



Contact us

Tel: +86-755-8981 8866 Fax: +86-755-8427 6832

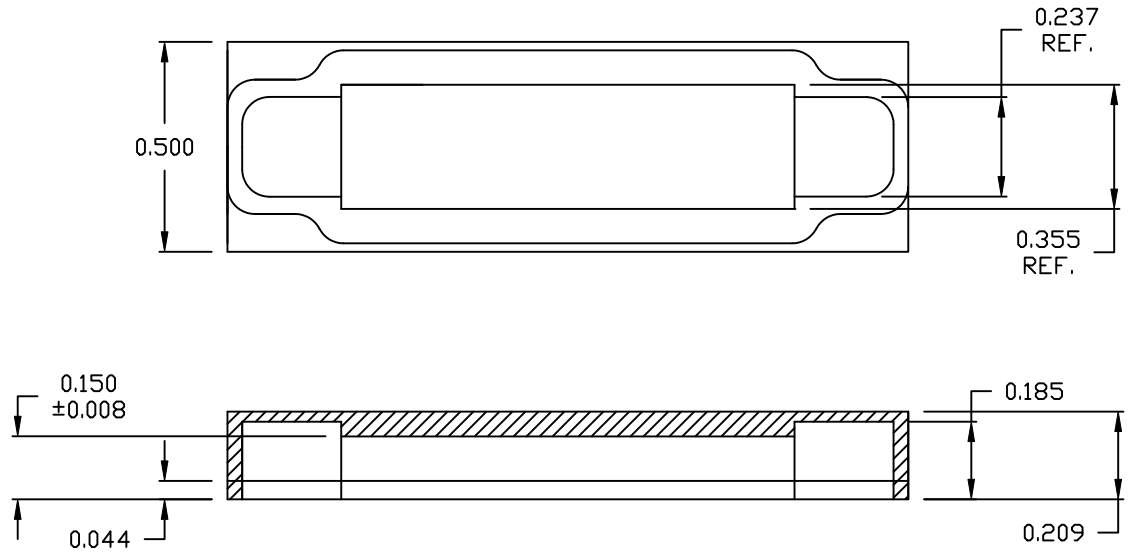
Email & Skype: info@chipsmall.com Web: www.chipsmall.com

Address: A1208, Overseas Decoration Building, #122 Zhenhua RD., Futian, Shenzhen, China



DESCRIPTION: SHIELDED DUST CAPS - MALE

MATERIAL: ABS WITH 50 MICRON GRAPHITE COATING



1 YY IN PART NUMBER
 POSITION (09, 15, 25)
 GENDER: 1 = MALE (BLUE)

ATTENUATION EFFICIENCY:

FREQUENCY MHZ	ATTENUATION dB	FREQUENCY MHZ	ATTENUATION dB	FREQUENCY MHZ	ATTENUATION dB	FREQUENCY MHZ	ATTENUATION dB
0.1	125	4	100	150	90	700	68
0.2	127	6	90	200	100	800	56
0.4	122	15	90	250	82	900	58
0.6	123	40	87	300	71	1000	52
1	120	60	82	400	70		
2	118	100	87	600	67		

RoHS COMPLIANT

	THESE DRAWINGS AND SPECIFICATIONS ARE THE PROPERTY OF NorComp AND SHALL NOT BE REPRODUCED, COPIED OR USED AS THE BASIS FOR THE MANUFACTURE OR SALE OF APPARATUS WITHOUT WRITTEN PERMISSION.		DRAWN: PAM JENKINS	DATE: 10-9-00
			CHECKED:	DATE:
NorComp		SCALE: 2 : 1	SHEET 1 OF 1	REV 1
		DWG NO. 160-020-1YYR000		