



Chipsmall Limited consists of a professional team with an average of over 10 year of expertise in the distribution of electronic components. Based in Hongkong, we have already established firm and mutual-benefit business relationships with customers from,Europe,America and south Asia,supplying obsolete and hard-to-find components to meet their specific needs.

With the principle of “Quality Parts,Customers Priority,Honest Operation,and Considerate Service”,our business mainly focus on the distribution of electronic components. Line cards we deal with include Microchip,ALPS,ROHM,Xilinx,Pulse,ON,Everlight and Freescale. Main products comprise IC,Modules,Potentiometer,IC Socket,Relay,Connector.Our parts cover such applications as commercial,industrial, and automotives areas.

We are looking forward to setting up business relationship with you and hope to provide you with the best service and solution. Let us make a better world for our industry!



Contact us

Tel: +86-755-8981 8866 Fax: +86-755-8427 6832

Email & Skype: info@chipsmall.com Web: www.chipsmall.com

Address: A1208, Overseas Decoration Building, #122 Zhenhua RD., Futian, Shenzhen, China



FKS ATO® Style Blade Fuse Rated 32V

RoHS



Specifications

DIN 72581-3C
ISO 8820-3

Interrupting Rating: 1000 A @32 VDC
Insulating body: Out of thermoplastic (UL 94-V0, heat-resistant)
Cover: Out of thermoplastic (V0, transparent), Visible melting-element
 Shunt: red, not transparent
Terminals: Blade contacts
 Copper alloy, gal. Sn plated
 Edge-protected

Packaging:

Series	Pack Size
162.6185.xxx6	100
162.6185.xxx2	2000
164.6185.xxx2	2000

Blade Fuses

The FKS-32 is an ATO® style blade fuse rated at 32V, featuring a three part construction with copper contacts for excellent reliability in harsh environment conditions and low voltage drop. Current ratings 0.5A thru 40A. With see-through cover for easy detection of blown fuses.

FSK-32 ist eine ATO-Flachstecksicherung mit 32V Nennspannung. Merkmale sind dreiteiliger Aufbau mit Kupferkontakten, niedriger Spannungsabfall und hohe Zuverlässigkeit unter rauen Umgebungsbedingungen. Nennstrom 0,5A bis 40A, transparente Abdeckung zur leichten Erkennung durchgebrannter Sicherungen.

Time-Current Characteristics / Schmelzzeit-Grenzwerte

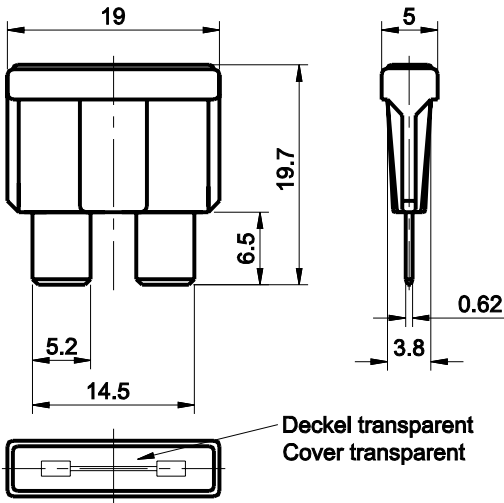
% of Rating % des Nennstromes	Opening Time Min / Max (s) Schmelzcharakteristik Min / Max (s)
110	360,000 s / –
150	0.750 s / 1,800 s
200	0.150 s / 5 s
350	0.040 s / 0.500 s
600	0.020 s / 0.100 s

Part Number Artikel-Nr.	Current Rating Nennstrom	Housing Color Kennfarbe	Typ. Voltage Drop Typ. Spannungsfall		Cold Resistance Kaltwiderstand	I²t
			Standard DIN max.	Littelfuse max.		
162.6185.350_	0.5 A*	Blue	–	320 mV	450 mΩ	0.70 A²s
162.6185.410_	1 A	Black	–	150 mV	108 mΩ	2.00 A²s
162.6185.420_	2 A	Grey	–	130 mV	47.2 mΩ	8.00 A²s
162.6185.430_	3 A	Purple	175 mV	140 mV	30.5 mΩ	15.0 A²s
162.6185.440_	4 A	Pink	175 mV	120 mV	22.5 mΩ	25.0 A²s
164.6185.450_	5 A	Brown	175 mV	145 mV	16.5 mΩ	35.0 A²s
164.6185.475_	7.5 A	Dark Brown	150 mV	115 mV	11.5 mΩ	60.0 A²s
164.6185.510_	10 A	Red	125 mV	95 mV	6.80 mΩ	110 A²s
164.6185.515_	15 A	Blue	125 mV	90 mV	4.50 mΩ	250 A²s
164.6185.520_	20 A	Yellow	125 mV	90 mV	3.40 mΩ	648 A²s
164.6185.525_	25 A	White	110 mV	80 mV	2.50 mΩ	600 A²s
164.6185.530_	30 A	Light Green	100 mV	80 mV	1.85 mΩ	1,070 A²s
162.6185.535_	35 A*	Dark Green	100 mV	75 mV	1.50 mΩ	1,600 A²s
162.6185.540_	40 A*	Orange	100 mV	100 mV	1.35 mΩ	2,000 A²s
160.6185.000_	Shunt*	Red	–	42 mV	0.73 mΩ	9,000 A²s

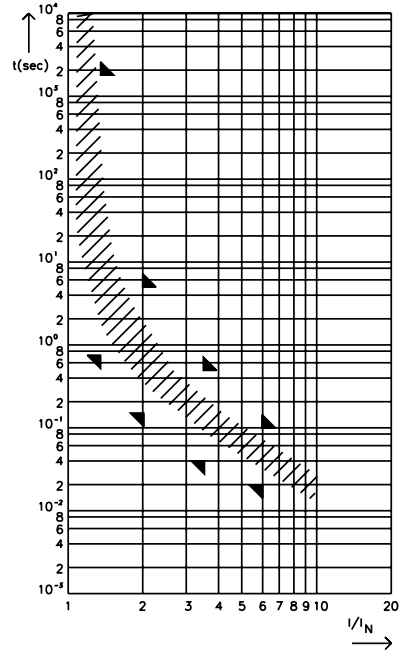
* Not mentioned in the standards Corresponding holder see Section "Fuse Holders."

FKS ATO® Style Blade Fuse Rated 32V

Dimensions in mm / Maße in mm



Pre-arcing Time - limits / Schmelzeit-Grenzwerte DIN



FI = 1.33 (max. operating current: 0.75 x I_{rat} at 23°C)