



Chipsmall Limited consists of a professional team with an average of over 10 year of expertise in the distribution of electronic components. Based in Hongkong, we have already established firm and mutual-benefit business relationships with customers from,Europe,America and south Asia,supplying obsolete and hard-to-find components to meet their specific needs.

With the principle of “Quality Parts,Customers Priority,Honest Operation,and Considerate Service”,our business mainly focus on the distribution of electronic components. Line cards we deal with include Microchip,ALPS,ROHM,Xilinx,Pulse,ON,Everlight and Freescale. Main products comprise IC,Modules,Potentiometer,IC Socket,Relay,Connector.Our parts cover such applications as commercial,industrial, and automotives areas.

We are looking forward to setting up business relationship with you and hope to provide you with the best service and solution. Let us make a better world for our industry!



Contact us

Tel: +86-755-8981 8866 Fax: +86-755-8427 6832

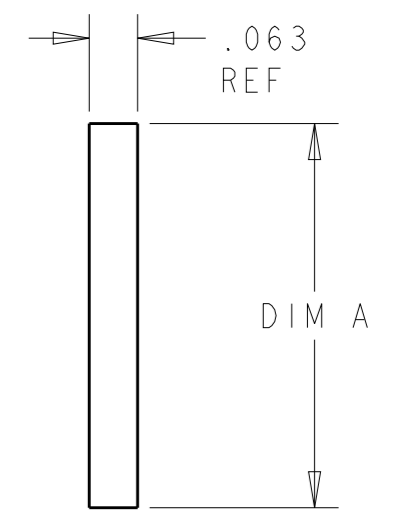
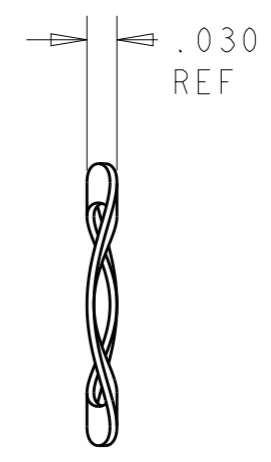
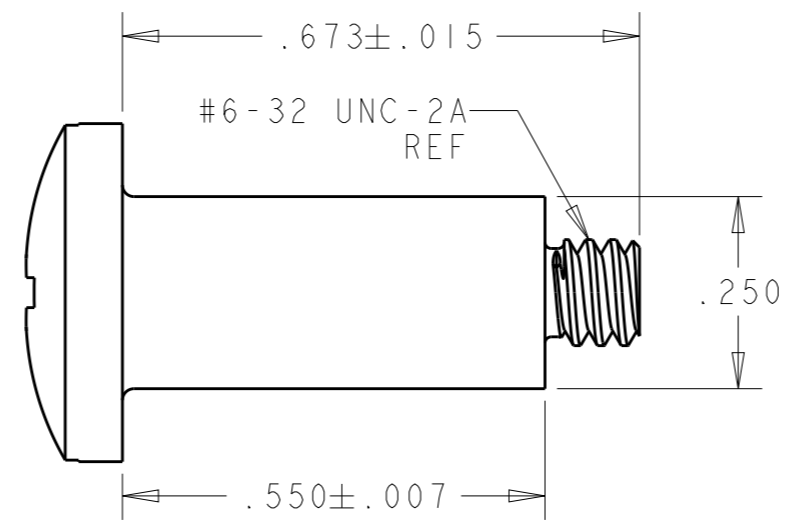
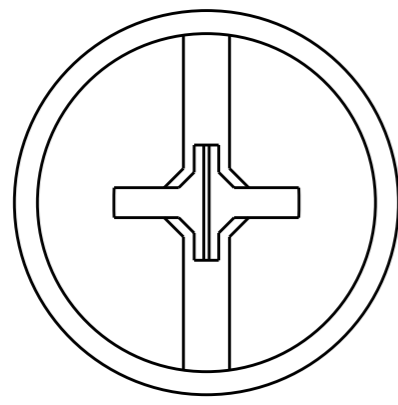
Email & Skype: info@chipsmall.com Web: www.chipsmall.com

Address: A1208, Overseas Decoration Building, #122 Zhenhua RD., Futian, Shenzhen, China



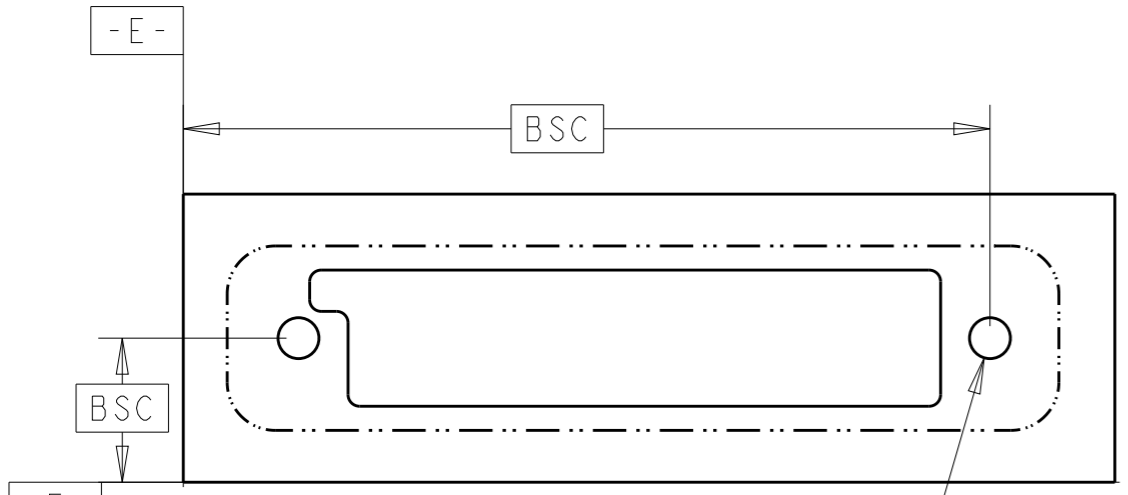
THIS DRAWING IS UNPUBLISHED. RELEASED FOR PUBLICATION 20
 © COPYRIGHT 20 BY - ALL RIGHTS RESERVED.

REVISIONS					
P	LTR	DESCRIPTION	DATE	DWN	APVD
	9	ADD NEW DASH NUMBERS	25MAY2014	CZ	SZ

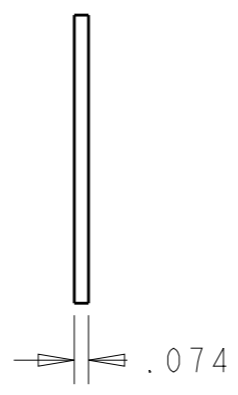


- ① ONE(1) KIT CONSISTS OF TWO(2) EACH OF EACH PART SHOWN.
- ② BULK PACKAGED.KITS TO BE ORDERED IN MULTIPLES OF 100.
- ③ SHOULDER SCREW: STAINLESS STEEL 303
 WAVE SPRING WASHER: SPRING STEEL S50C
 FLAT WASHER: STAINLESS STEEL 303
- ④ RECOMMEND TO USE PEMCERT SELF-CLINCHING FLUSH NUTS,
 PEM PART NUMBER:F-632-1

DESCRIPTION	DIM A	PART NUMBER
BULK	.405	1600000-4
KIT	.405	1600000-3
BULK ②	.500	1600000-2
KIT ①	.500	1600000-1



Ø .213^{+0.003}/_{-.000}
 ⊕ .004[Ⓢ] E F
 2PLC



IF USE PEMCERT SELF-CLINCHING FLUSH NUT,
 PLEASE REFER TO THIS PANEL MOUNTING HOLE
 DIMENSIONS.OTHER DIMENSIONS PLEASE REFER TO
 C-DRAWING OF DETAIL PART.

THIS DRAWING IS A CONTROLLED DOCUMENT.		DWN HESPER LIU 2SEP2008	TE Connectivity	
		CHK SUNY ZHAO 2SEP2008		
DIMENSIONS: INCHES		TOLERANCES UNLESS OTHERWISE SPECIFIED: 0 PLC ±.1 1 PLC ±0.1 2 PLC ±0.02 3 PLC ±0.005 4 PLC ±0.0005 ANGLES ±		NAME HARDWARE KIT PANEL MOUNT MULTI-BEAM
MATERIAL ③		FINISH -		SIZE A3 CAGE CODE - DRAWING NO C-1600000 RESTRICTED TO -
		WEIGHT -		SCALE 1:1 SHEET 1 OF 1 REV 9
		CUSTOMER DRAWING		