



Chipsmall Limited consists of a professional team with an average of over 10 year of expertise in the distribution of electronic components. Based in Hongkong, we have already established firm and mutual-benefit business relationships with customers from,Europe,America and south Asia,supplying obsolete and hard-to-find components to meet their specific needs.

With the principle of “Quality Parts,Customers Priority,Honest Operation,and Considerate Service”,our business mainly focus on the distribution of electronic components. Line cards we deal with include Microchip,ALPS,ROHM,Xilinx,Pulse,ON,Everlight and Freescale. Main products comprise IC,Modules,Potentiometer,IC Socket,Relay,Connector.Our parts cover such applications as commercial,industrial, and automotives areas.

We are looking forward to setting up business relationship with you and hope to provide you with the best service and solution. Let us make a better world for our industry!



Contact us

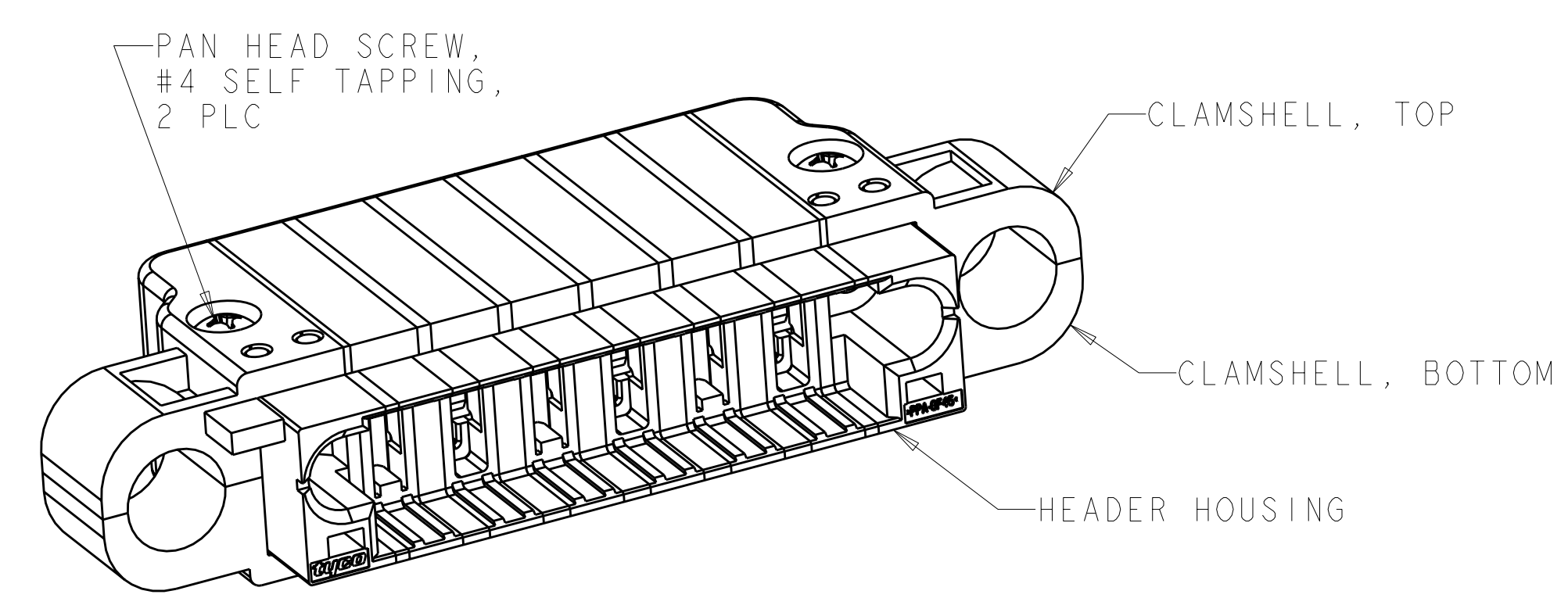
Tel: +86-755-8981 8866 Fax: +86-755-8427 6832

Email & Skype: info@chipsmall.com Web: www.chipsmall.com

Address: A1208, Overseas Decoration Building, #122 Zhenhua RD., Futian, Shenzhen, China

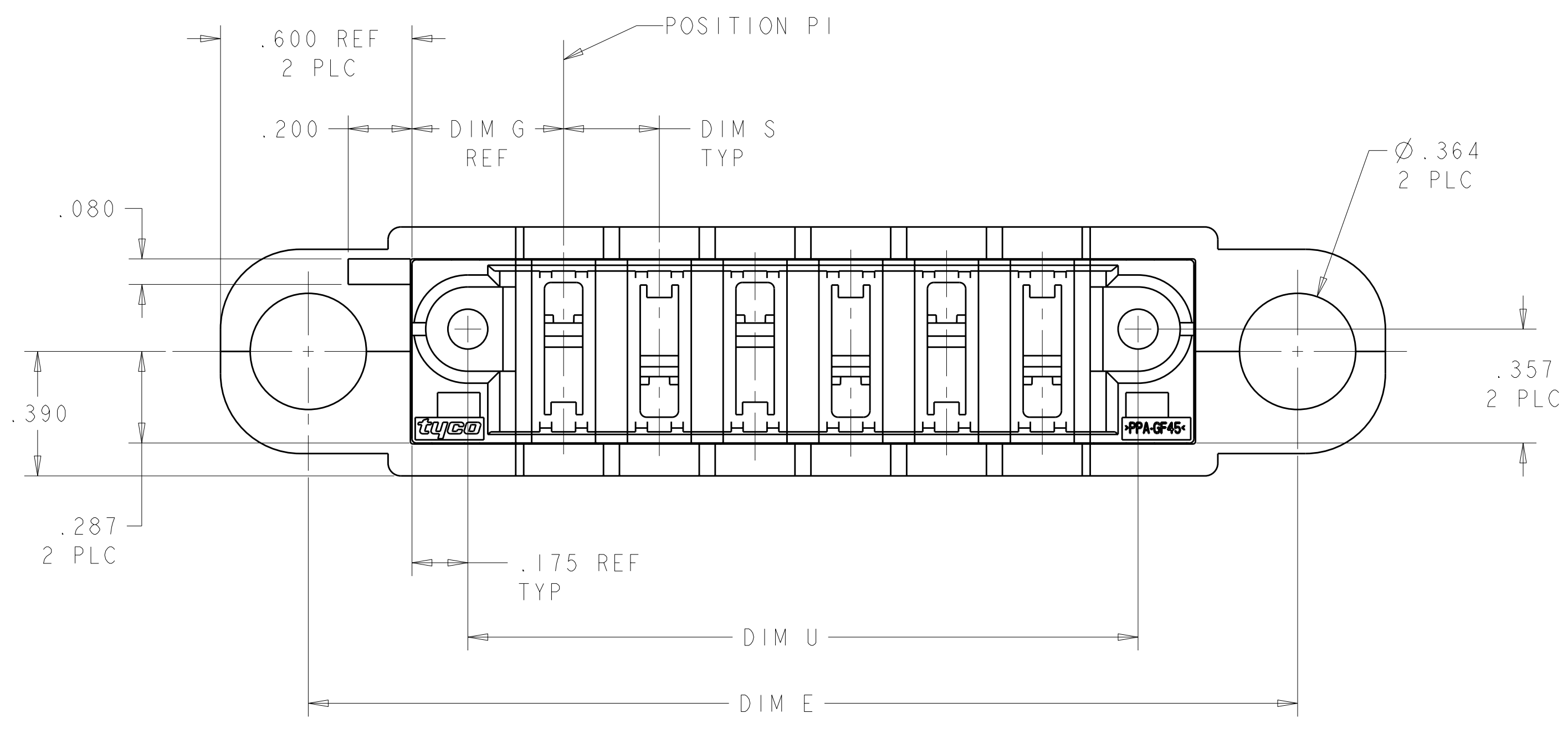
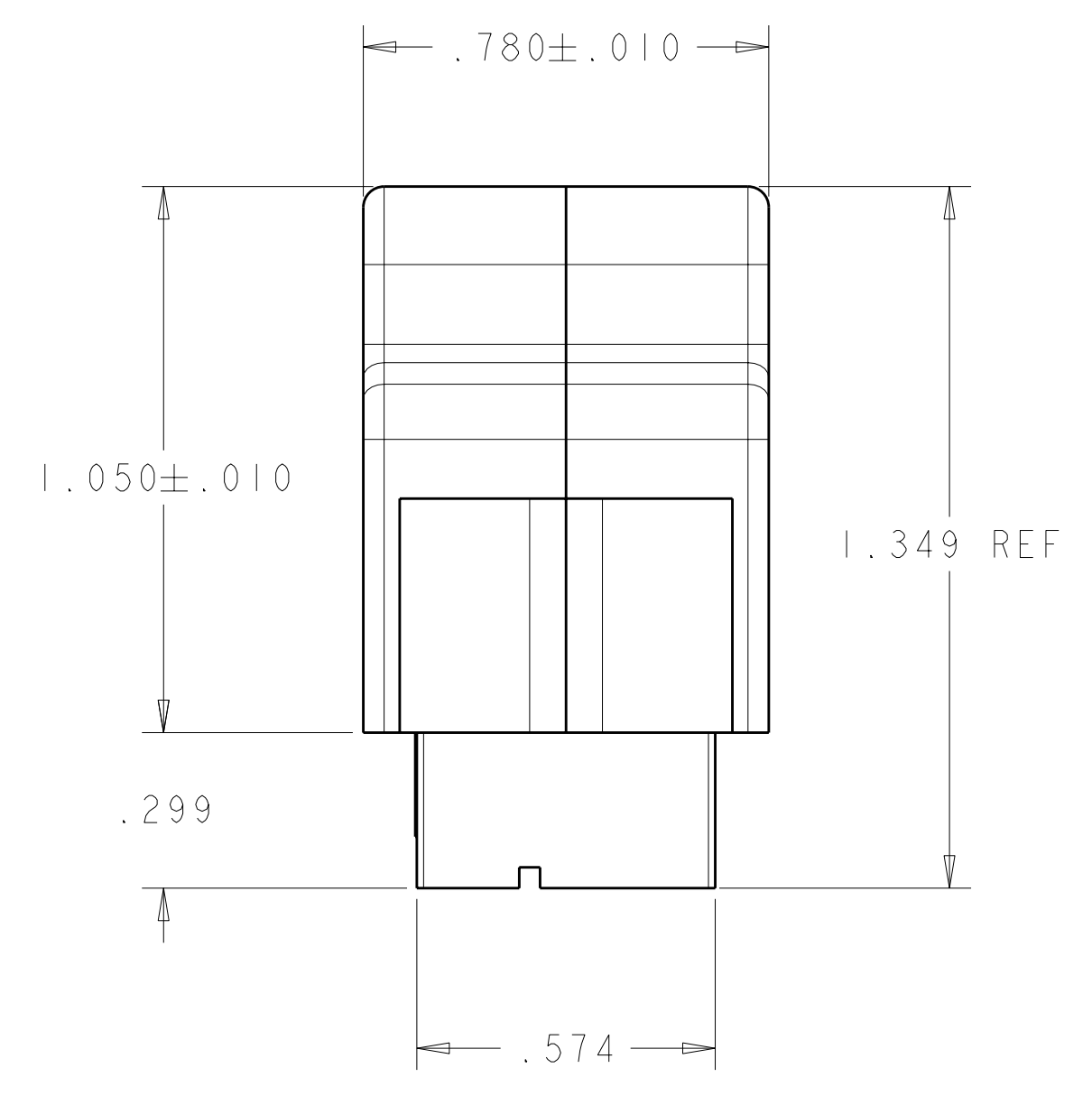
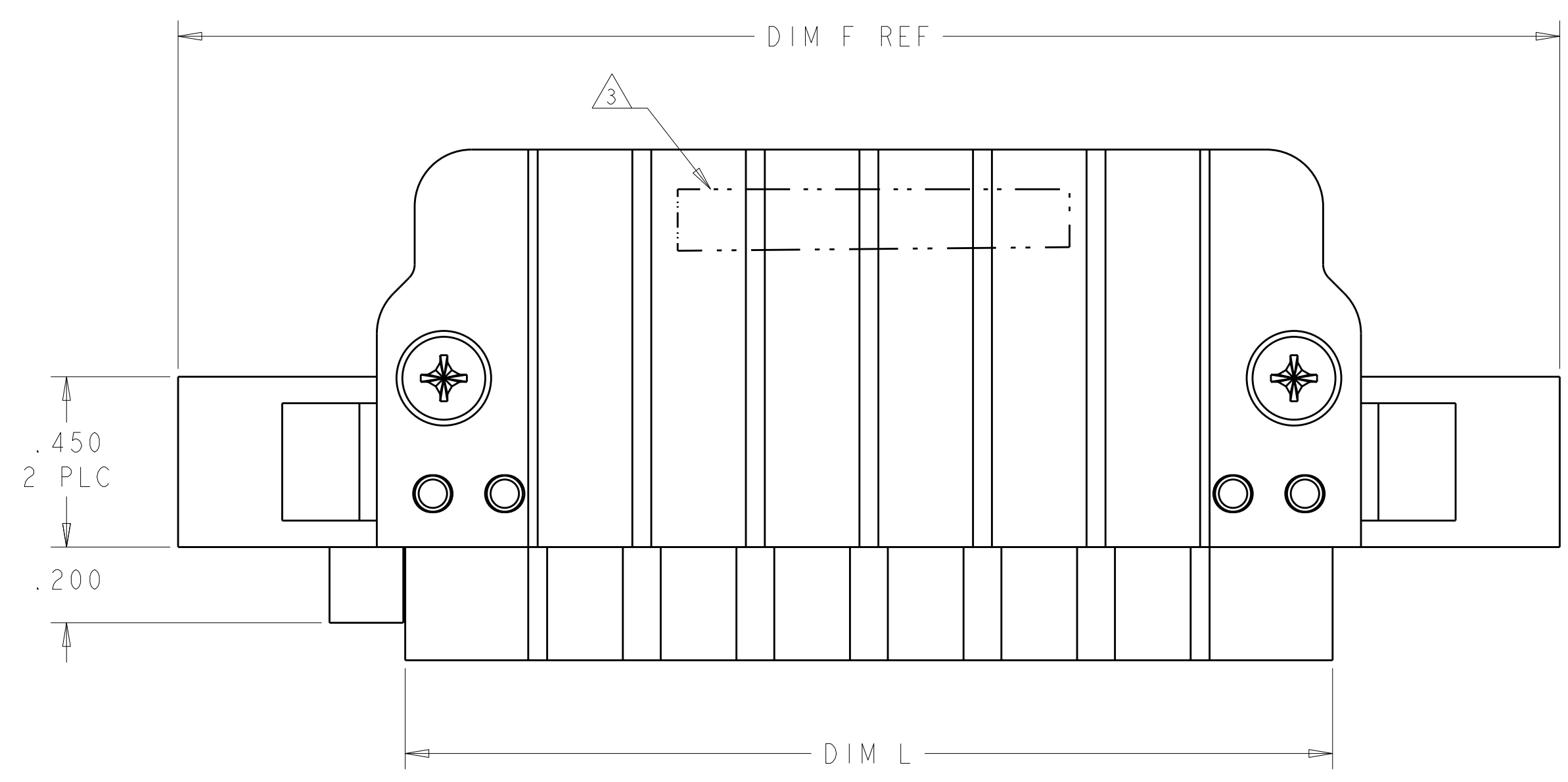


LOC	DIST	REV	DATE	BY	APPD
ES	00				
A3		ADDED NEW DASH NUMBER	4JAN2007	DZ	SY
B		ADDED NEW DASH NUMBER	9NOV2007	DZ	SY
B1		ADDED NEW DASH NUMBER	21FEB2008	SZ	SY
B2		REV PER ECR-08-014010	03JUNE2008	VO	SY



ISOMETRIC VIEW
SCALE 2:1

- 1 CLAMSHELLS AND HEADER HOUSING: THERMO PLASTIC, UL94 V-0; SCREWS: STEEL.
- 2 SCREWS: ZINC.
- 3 TYCO PART NUMBER AND DATE CODE MARKED IN AREA.
- 4 CONNECTOR KEEP OUT ZONE.
- 5 CONNECTOR MATED TO PANEL FROM OPPOSITE SIDE.
- 6 NO BURRS ALLOWED ON OPPOSITE (MATED) SIDE.
- 7 DATUM LOCATIONS AND BASIC DIMENSIONS TO BE ESTABLISHED BY CUSTOMER.
- 8 MOUNT CONNECTOR WITH TYCO HARDWARE KIT 1600914-1 FOR .050 (1.27mm) MIN RADIAL FLOAT.
- 9 NOT RELEASED FOR PRODUCTION.



1.900	.300	2.250	.525	3.450	2.900	5ACP (8 AWG)	1600206-4
1.200	.300	1.550	.475	2.750	2.200	3ACP (12 AWG)	1600206-3
2.500	.300	2.850	.525	4.050	3.500	7ACP (8 AWG)	1600206-2
2.100	.300	2.450	.475	3.650	3.100	6ACP (14 AWG)	1600206-1
DIM U	DIM S	DIM L	DIM G	DIM F	DIM E	DESCRIPTION	PART NO

DIMENSIONS: INCH 		TOLERANCES UNLESS OTHERWISE SPECIFIED: 9 PLC ± 8 PLC ±.02 5 PLC ±0.005 4 PLC ± ANGLES ±		DWN J. McCLINTON 09MAR2006 CHK D. TROUT 09MAR2006 APVD P. WHYNE 09MAR2006		Tyco Electronics Corporation Harrisburg, PA 17105-3608	
MATERIAL:		FINISH:		PRODUCT SPEC: 108-2157-1 APPLICATION SPEC: 114-13164		NAME: PANEL MOUNT CABLE PLUG, WITH GUIDES, POWER, MULTI-BEAM XL SIZE: CAGE CODE DRAWING NO: A100779C=1600206 RESTRICTED TO:	
CUSTOMER DRAWING				SCALE 3:1		SHEET 1 OF 2 REV B2	

LOC	DIST	REV	DATE	BY	APPD
ES	00				

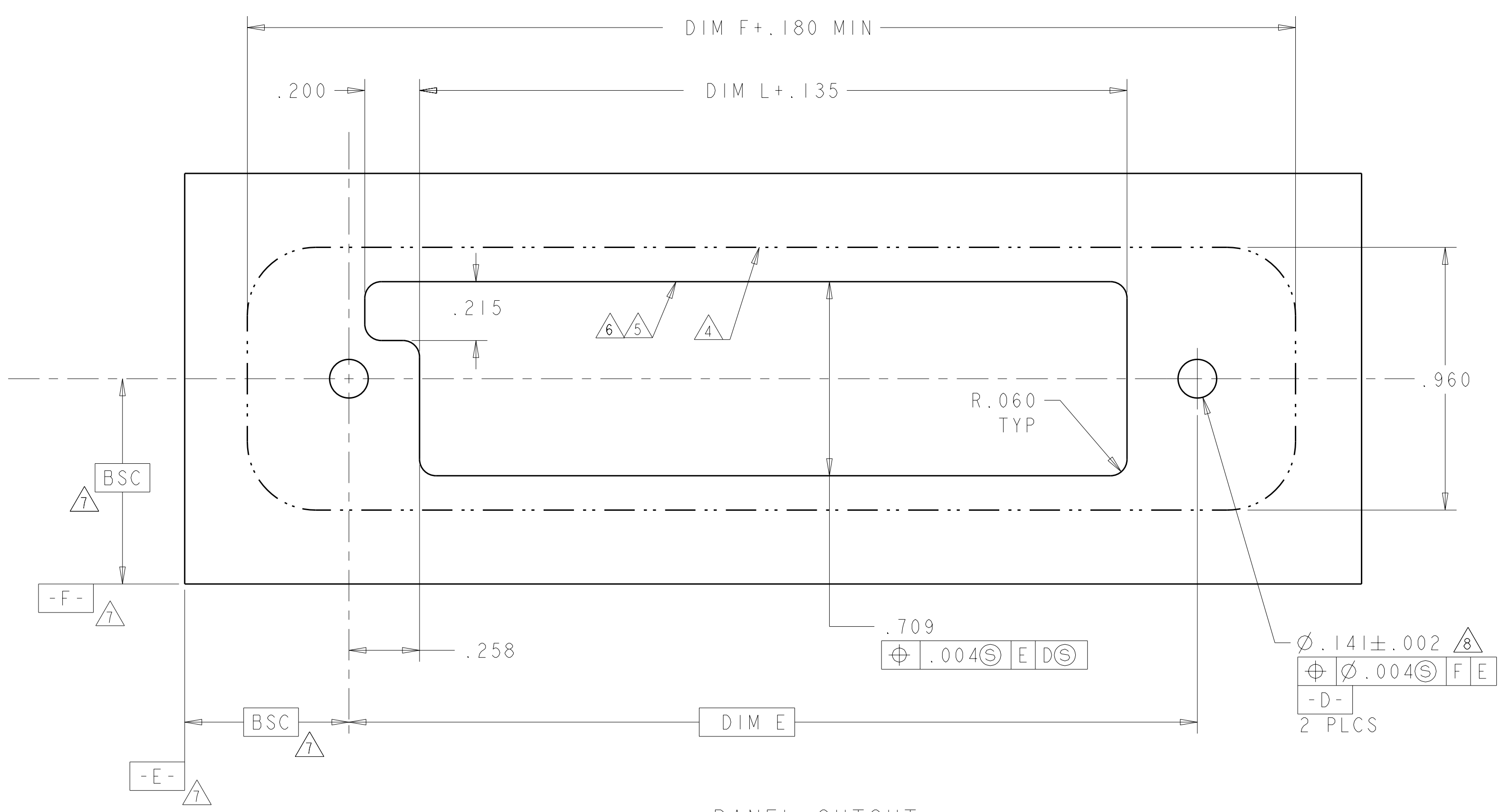
REVISIONS		DATE	BY	APPD
-	SEE SHEET 1	-	-	-

PART NUMBER	ROWS	POWER						
		P1	P2	P3	P4	P5	P6	
1600206-1	D		CP	CP	CP	CP	CP	CP
	C							
	B							
	A							
6ACP (14AWG)								

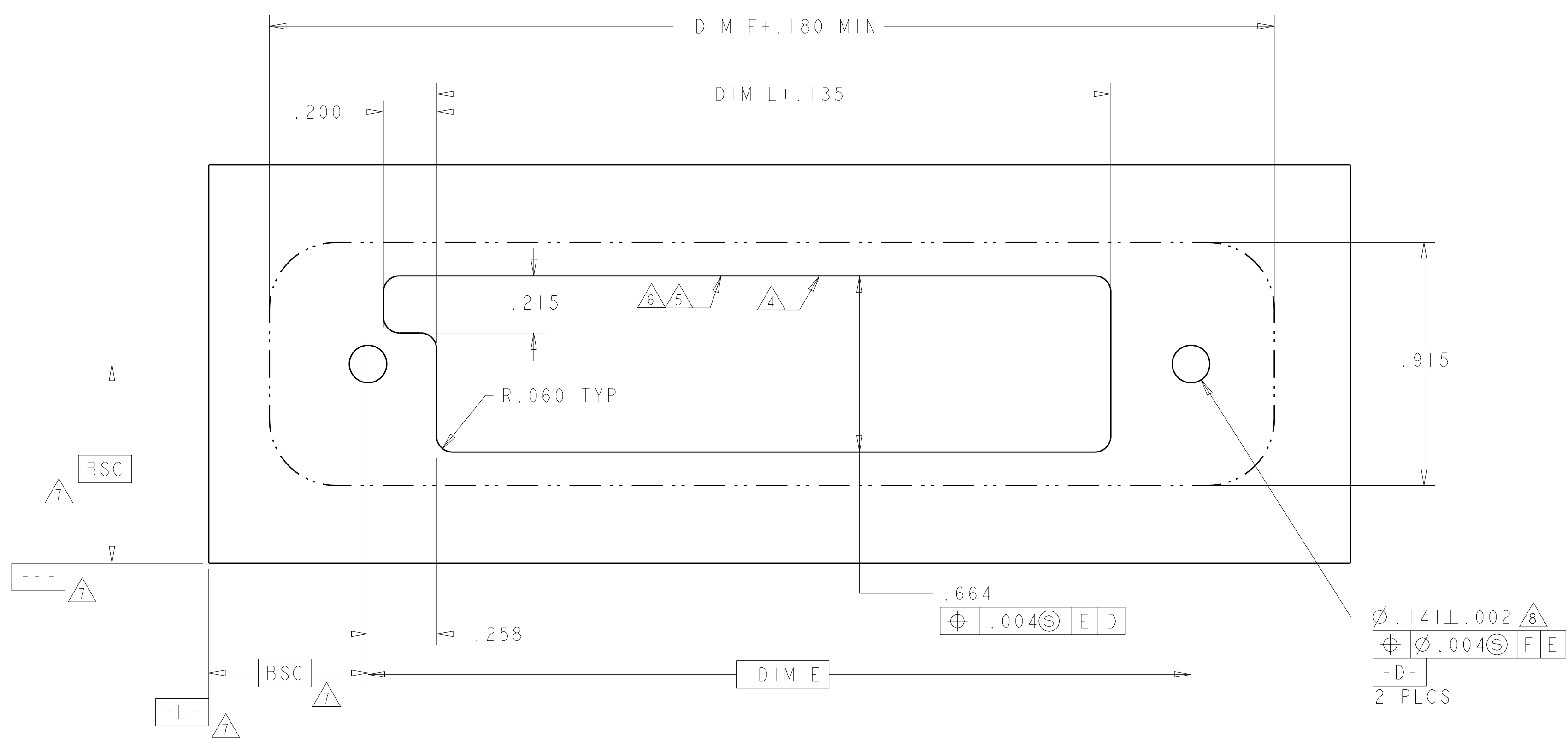
PART NUMBER	ROWS	POWER							
		P1	P2	P3	P4	P5	P6	P7	
1600206-2	D		CP	CP	CP	CP	CP	CP	CP
	C								
	B								
	A								
7ACP (8 AWG)									

PART NUMBER	ROWS	POWER			
		P1	P2	P3	
1600206-3	D		CP	CP	CP
	C				
	B				
	A				
3ACP (12 AWG)					

PART NUMBER	ROWS	POWER					
		P1	P2	P3	P4	P5	
1600206-4	D		CP	CP	CP	CP	CP
	C						
	B						
	A						
5ACP (8 AWG)							



PANEL CUTOUT:
WHEN MATING TO BOARD MOUNT RECEPTACLE



PANEL CUTOUT:
WHEN MATING TO SLIDE-TO-LOCK CABLE RECEPTACLE

POWER CONTACT	CP
DESCRIPTION	IDENTIFIER

<small>THE DIMENSIONS OF THIS DRAWING ARE BASED ON THE TYCO ELECTRONICS CORPORATION STANDARD DRAWING PRACTICES AND CONFORM TO THE TYCO ELECTRONICS CORPORATION DIMENSIONAL STANDARDS. THIS DRAWING IS UNPUBLISHED. RELEASED FOR PUBLICATION BY TYCO ELECTRONICS CORPORATION, ALL RIGHTS RESERVED.</small>		DWN: J. McCLINTON 09MAR2006 CHK: D. TROUT 09MAR2006 APVD: P. WHYNE 09MAR2006	Tyco Electronics Corporation Harrisburg, PA 17105-3608
DIMENSIONS: INCH 		TOLERANCES UNLESS OTHERWISE SPECIFIED: 9 PLC ±. 1 PLC ±.02 2 PLC ±.005 3 PLC ±.005 4 PLC ±. ANGLES ±.	NAME: PANEL MOUNT CABLE PLUG, WITH GUIDES, POWER, MULTI-BEAM XL PRODUCT SPEC: 108-2157-1 APPLICATION SPEC: SIZE: 114-13164 WEIGHT: CUSTOMER DRAWING
MATERIAL:	FINISH:	SCALE: 3:1 SHEET: 2 OF 2 REV: B2	RESTRICTED TO: A 00779 C=1600206