



Chipsmall Limited consists of a professional team with an average of over 10 year of expertise in the distribution of electronic components. Based in Hongkong, we have already established firm and mutual-benefit business relationships with customers from,Europe,America and south Asia,supplying obsolete and hard-to-find components to meet their specific needs.

With the principle of "Quality Parts,Customers Priority,Honest Operation,and Considerate Service",our business mainly focus on the distribution of electronic components. Line cards we deal with include Microchip,ALPS,ROHM,Xilinx,Pulse,ON,Everlight and Freescale. Main products comprise IC,Modules,Potentiometer,IC Socket,Relay,Connector.Our parts cover such applications as commercial,industrial, and automotives areas.

We are looking forward to setting up business relationship with you and hope to provide you with the best service and solution. Let us make a better world for our industry!



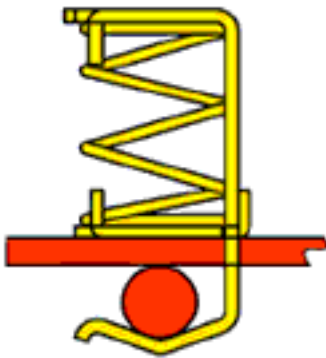
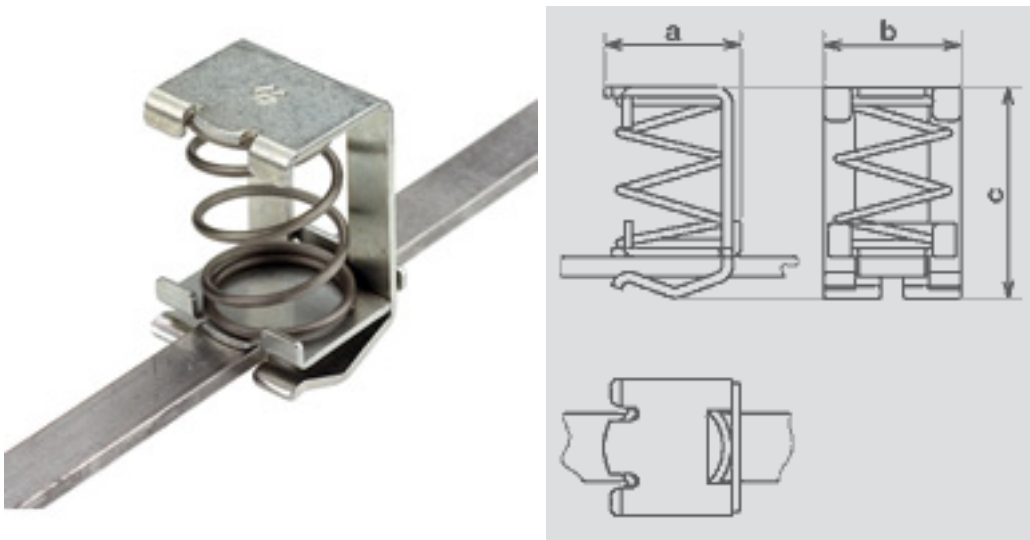
Contact us

Tel: +86-755-8981 8866 Fax: +86-755-8427 6832

Email & Skype: info@chipsmall.com Web: www.chipsmall.com

Address: A1208, Overseas Decoration Building, #122 Zhenhua RD., Futian, Shenzhen, China





General ordering data

Order No.	1600490000
Part designation	KLBUE 10-20
Version	Modular terminal, accessories, Retaining clip for shield connection
EAN	4008190151874
Qty.	10 pc(s).

PT OKIECEx/ATEX rating data

Marking EN 60079-7	Ex e II
Marking ATEX Directive 94/9/EC	Ex II 2 G D

Dimensions

Length	40 mm
Height	26 mm

EN 60079-7 rating data

EC conformity verification certificate	DMT 02ATEX E024 U
--	-------------------

EN 60079-7 rating data

Marking ATEX Directive 94/9/EC	II 2 G D
Marking ATEX Directive 94/9/EC	Ex II 2 G D
Marking EN 60079-7	Ex e II

Wire clamp for cable diameter

Cable diameter, min	10 mm
Cable diameter, max.	20 mm

Approvals

Approvals institutes

ATEX

Downloads

STEP	1600490000_20002_KLBUE_10-20_STP.stp
------	--------------------------------------

Classifications

ETIM 2.0	NK
ETIM 3.0	NK
eClass 4.1	NK
eClass 5.0	NK
eClass 5.1	NK

Similar products

Order No.	Part designation	Version
1675350000	KLBUE 2X2-6	Modular terminal, accessories, Retaining clip for shield connection
1592810000	KLBUE 4-13.5	Modular terminal, accessories, Retaining clip for shield connection
1716300000	KLBUE 15-32	Modular terminal, accessories, Retaining clip for shield connection