



Chipsmall Limited consists of a professional team with an average of over 10 year of expertise in the distribution of electronic components. Based in Hongkong, we have already established firm and mutual-benefit business relationships with customers from,Europe,America and south Asia,supplying obsolete and hard-to-find components to meet their specific needs.

With the principle of “Quality Parts,Customers Priority,Honest Operation,and Considerate Service”,our business mainly focus on the distribution of electronic components. Line cards we deal with include Microchip,ALPS,ROHM,Xilinx,Pulse,ON,Everlight and Freescale. Main products comprise IC,Modules,Potentiometer,IC Socket,Relay,Connector.Our parts cover such applications as commercial,industrial, and automotives areas.

We are looking forward to setting up business relationship with you and hope to provide you with the best service and solution. Let us make a better world for our industry!



Contact us

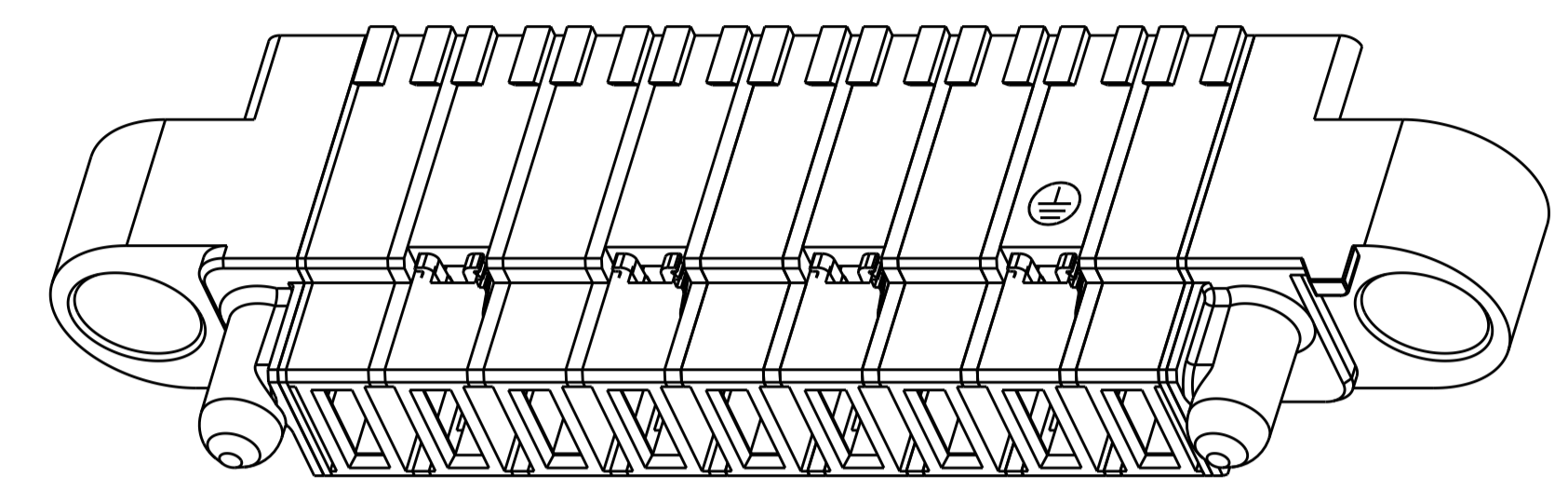
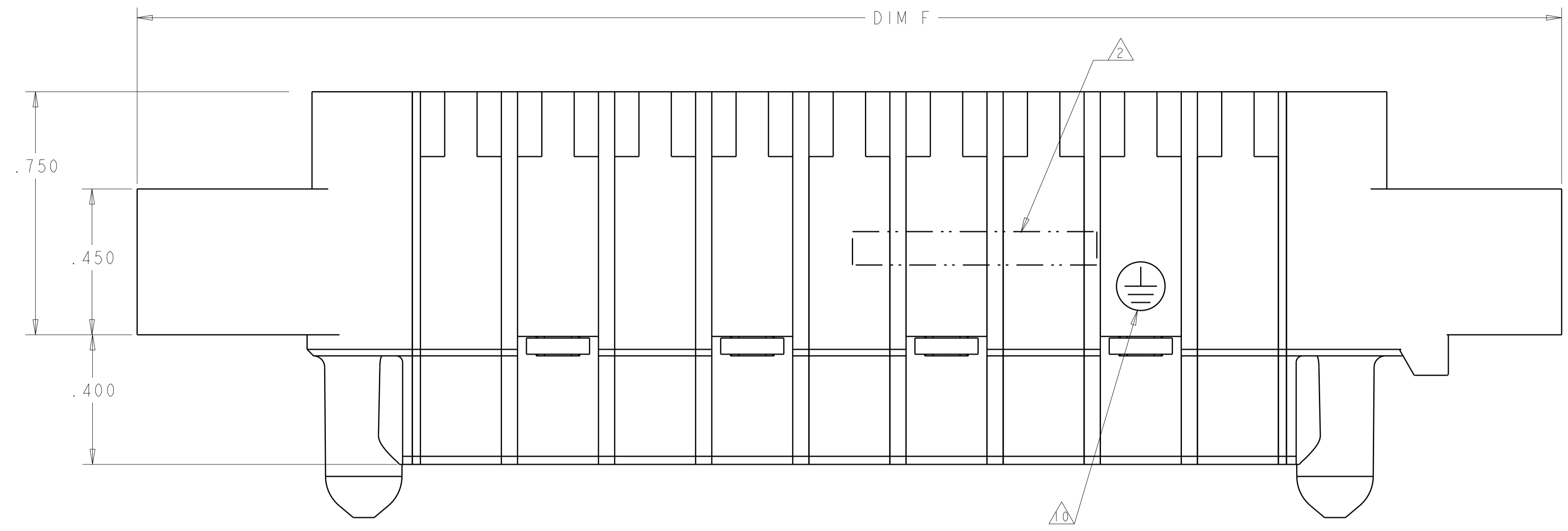
Tel: +86-755-8981 8866 Fax: +86-755-8427 6832

Email & Skype: info@chipsmall.com Web: www.chipsmall.com

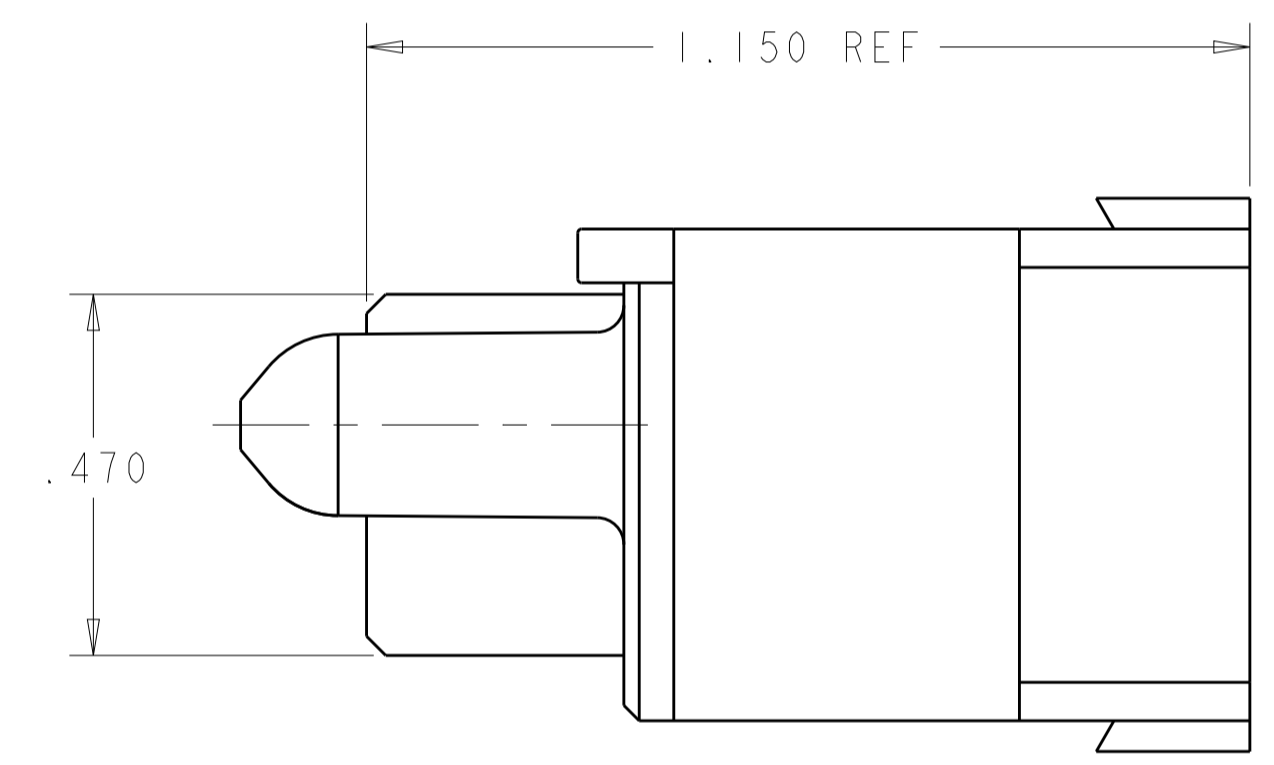
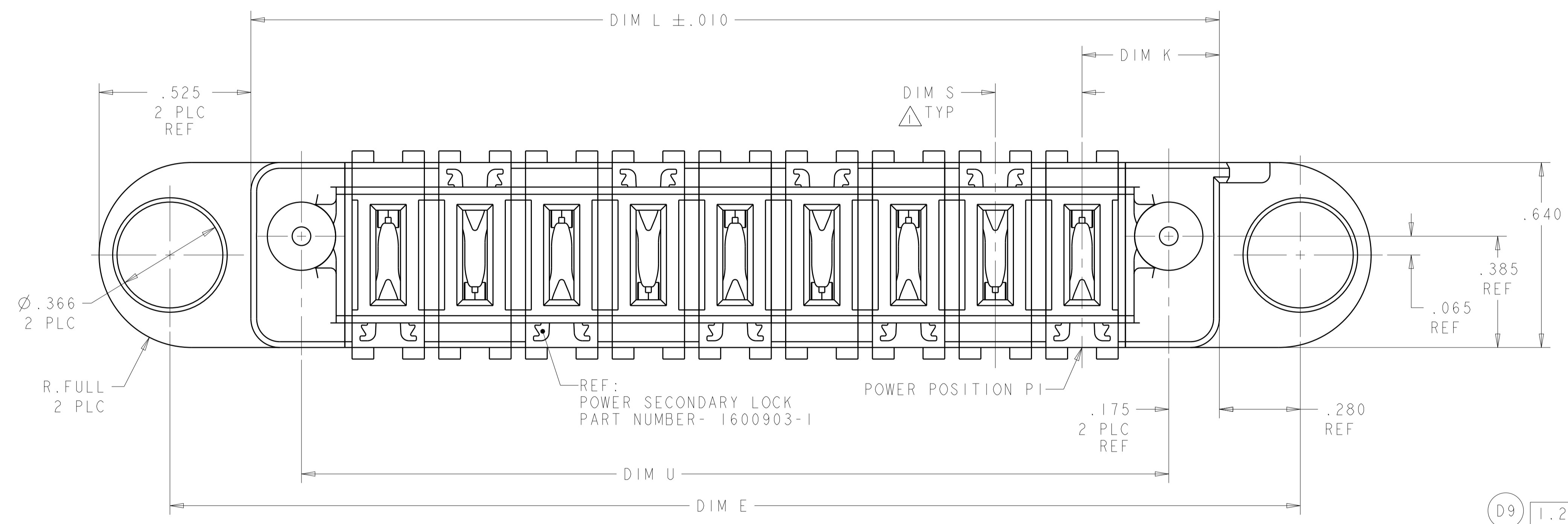
Address: A1208, Overseas Decoration Building, #122 Zhenhua RD., Futian, Shenzhen, China



LOC	DIST	REVISIONS			
		REV	DATE	BY	CHK
ES	00				
		D6	REV PER ECR-12-018227	24OCT2012	CZ SZ
		D8	ADDED NEW DASH NUMBER 1-2	30MAY2016	CZ SZ
		D9	ADDED NEW DASH NUMBER 1-3	12AUG2016	CZ SZ



SCALE 2:1



- 1 DIM S IS CENTERLINE SPACING OF POWER MODULES.
- 2 COMPANY TRADEMARK, PART NUMBER, AND DATE CODE TO BE MARKED IN AREA SHOWN PARTS UNDER 2.00 LONG MAY BE MARKED ON BOTH SIDES.
- 3. MATERIAL: THERMO PLASTIC, UL94 V-0.BLACK.
- 4 DATUM LOCATIONS AND BASIC DIMENSIONS TO BE ESTABLISHED BY THE CUSTOMER.
- 5 BULKHEAD THICKNESS RANGE: .031 - .100.
- 6 CONNECTOR MATED TO PANEL FROM OPPOSITE SIDE.
- 7 NO BURRS ALLOWED ON OPPOSITE (MATING) SIDE.
- 8 CONNECTOR KEEP OUT ZONE.
- 9 MOUNT CONNECTOR WITH TYCO HARDWARE KIT P/N 1600914-1 FOR .050 (1.27mm) MIN RADIAL FLOAT.
- 10 LOCATION OF GROUND SYMBOL ON MFBL CAVITY, FOR 1600606-2 ONLY.
- 11 THE SPECIAL BULKHEAD LAYOUT IS ONLY FOR PN:1600606-2 WITH RESTRICT FLOATING.

DIM U	DIM S	DIM L	DIM K	DIM E	DIM F	DESCRIPTION	PART NUMBER
1.200	.300	1.550	.475	2.110	2.600	3ACP	1-1600606-3
.800	.250	1.150	.450	1.710	2.200	2P	1-1600606-2
1.800	.300	2.150	.475	2.710	3.200	5ACP	1-1600606-1
2.050	.250	2.400	.450	2.960	3.450	7P	1-1600606-0
1.725	.375	2.075	.475	2.635	3.125	4P	1600606-9
2.050	.300	2.400	.450	2.960	3.450	6ACP	1600606-8
2.100	.300	2.450	.475	3.010	3.500	6ACP	1600606-7
2.825	.425	3.175	.525	3.735	4.225	6ACP	1600606-6
2.500	.300	2.850	.525	3.410	3.900	7ACP	1600606-5
1.900	.300	2.250	.525	2.810	3.300	5ACP	1600606-4
3.000	.300	3.350	.475	3.910	4.400	9ACP	1600606-3
1.200	.300	1.550	.475	2.110	2.600	3ACP	1600606-2
1.550	.250	1.900	.450	2.460	2.950	5P	1600606-1

THIS DRAWING IS A CONTROLLED DOCUMENT. DWN: R. GRZYBOWSKI 23JUL2003
CHK: M. CORRELL 23JUL2003

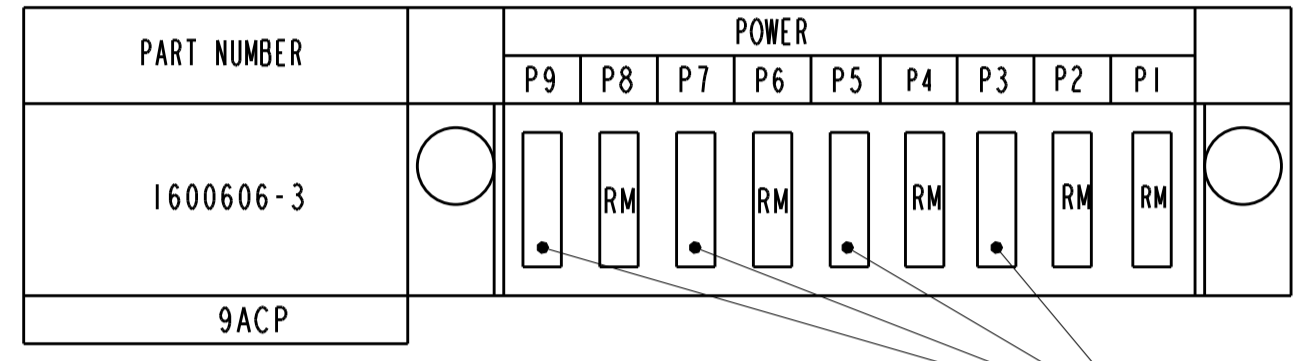
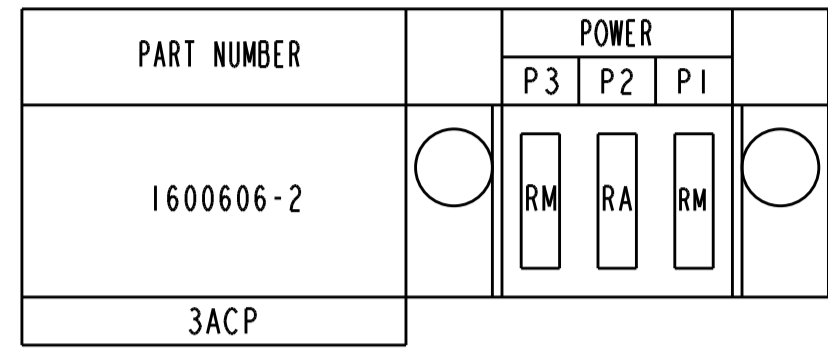
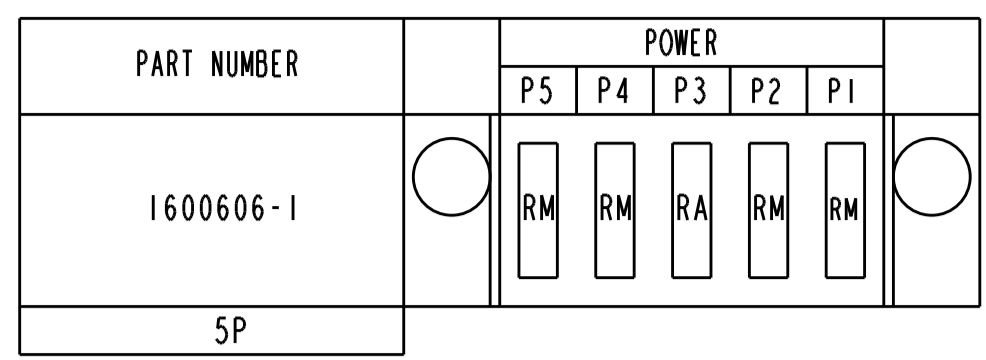
TE Connectivity

PANEL MOUNT CABLE RECEPTACLE HOUSING, WITH GUIDES, MULTI-BEAM XL, ALL POWER

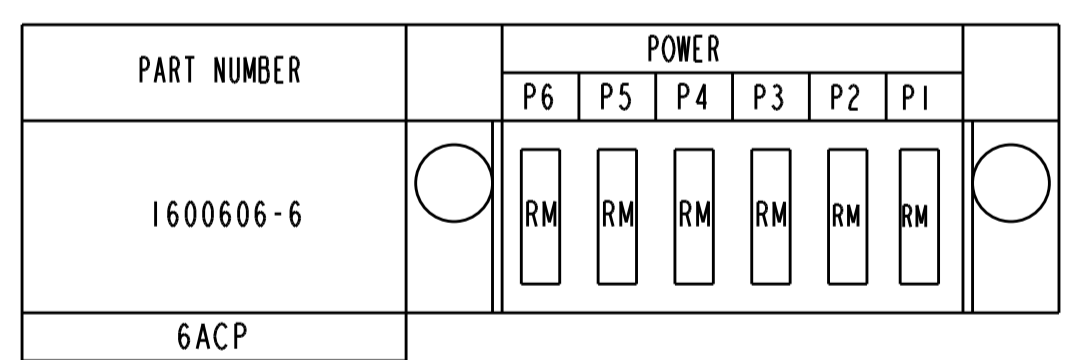
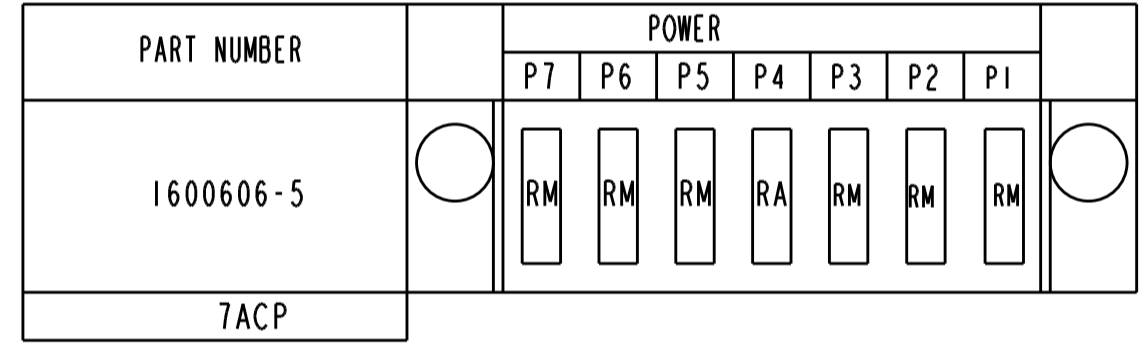
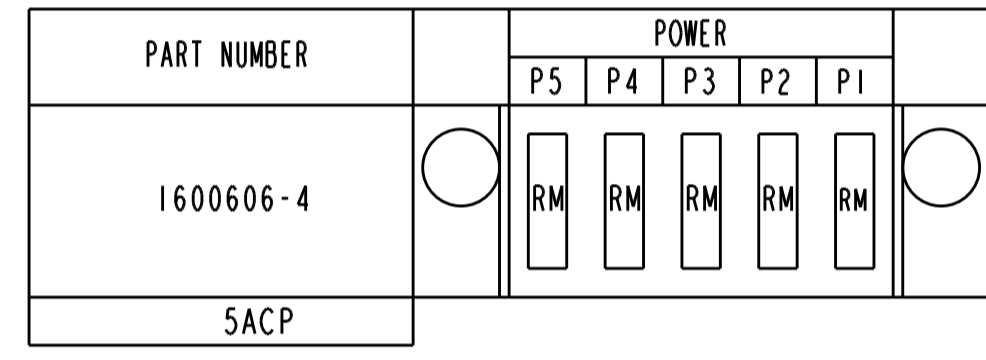
100779C=1600606

SCALE 4:1 SHEET 1 OF 3 REV D9

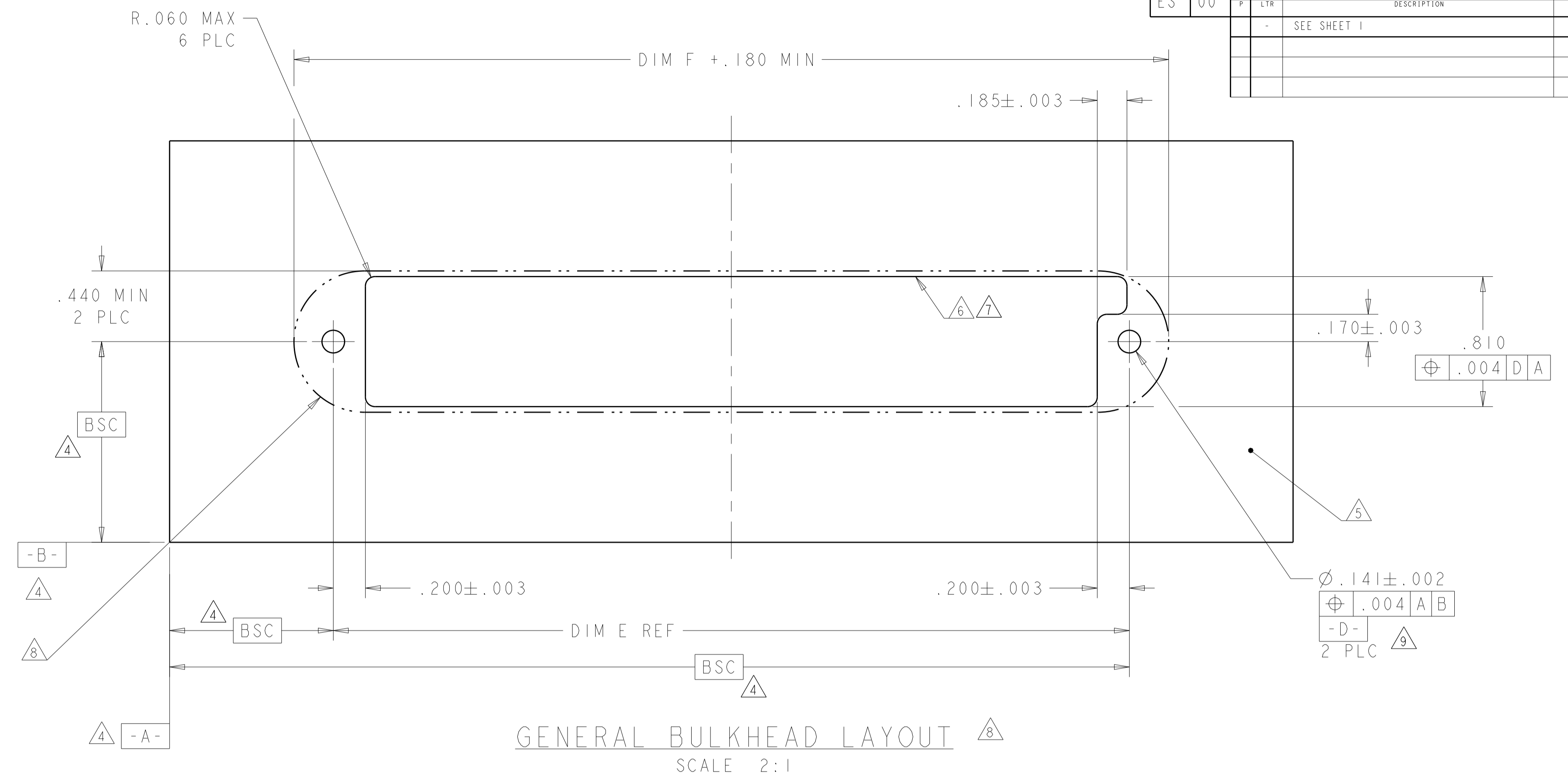
LOC	DIST	REV	DATE	BY	APPV
ES	00				



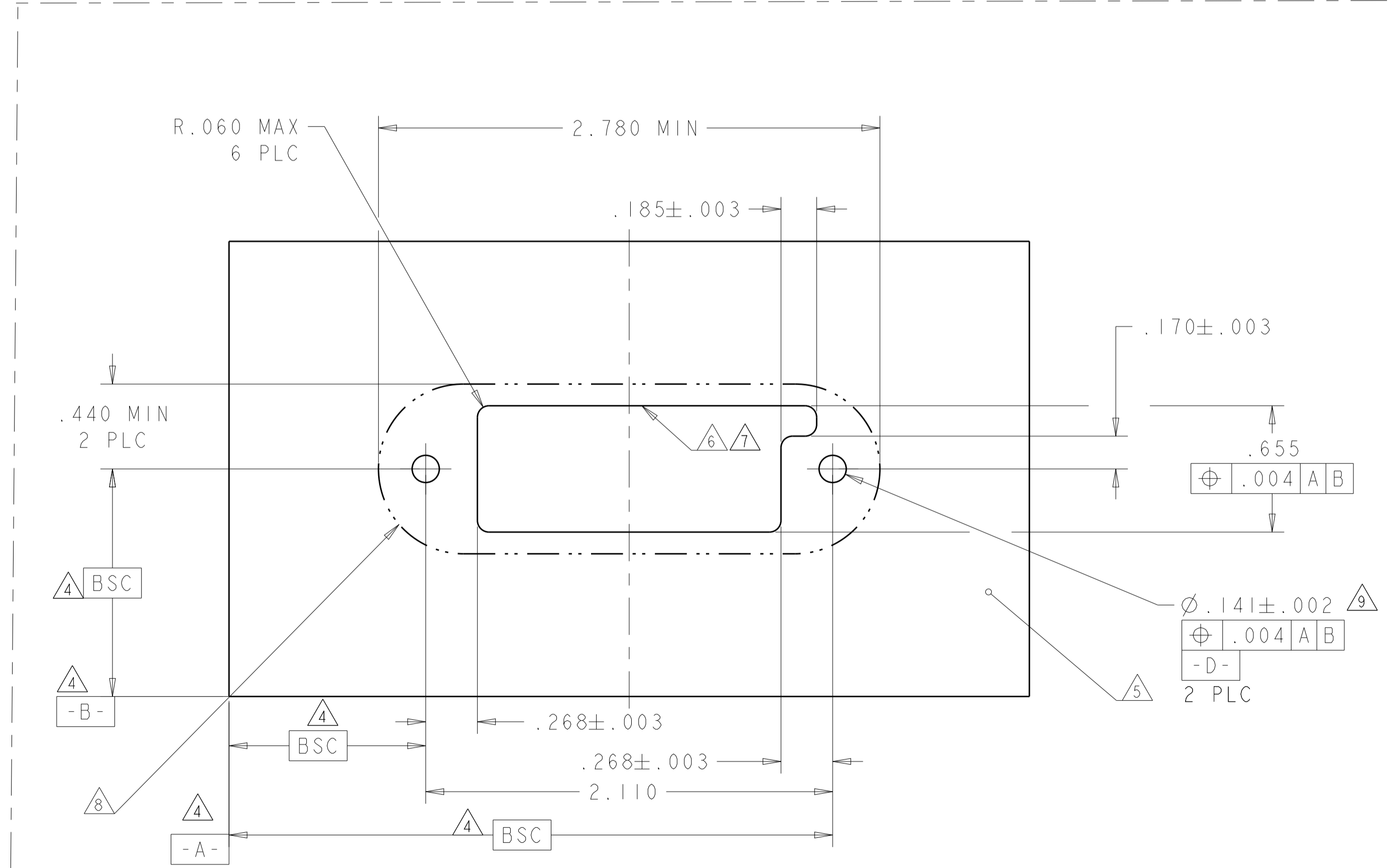
NO CONTACTS LOADED



REFERENCE WIRE CHART AND CONTACTS		
HOUSING MODULE	CONTACT	INSULATION DIAMETER RANGE
.300 POWER	8-10 1600960 REF	[.176-.272]
.250 POWER	8-10 1600960 REF	[.176-.203]
	12-14 1600961 REF	[.156-.176]
.200 POWER	12-14 1600961 REF	[.120-.156]
.100 SIGNAL	22 - 26 531216-5 REF	[.036 - .069]



GENERAL BULKHEAD LAYOUT SCALE 2:1



P/N: 1600606-2 SPECIAL BULKHEAD LAYOUT
FOR P/N:1600606-2 RESTRICT A ,B FLOATING ONLY
SCALE 2:1

RM	STANDARD POWER CONTACT
RA	MFBL POWER CONTACT
CODE	DESCRIPTION
	CONTACT TABLE

THIS DRAWING IS A CONTROLLED DOCUMENT.		DWN: R.GRZYBOWSKI 23JUL2003	TE Connectivity
DIMENSIONS: INCHES		CHK: M.CORRELL 23JUL2003	
TOLERANCES UNLESS OTHERWISE SPECIFIED:		APVD:	NAME: PANEL MOUNT CABLE RECEPTACLE HOUSING, WITH GUIDES, MULTI-BEAM XL, ALL POWER
0 PLC ± .01	1 PLC ± .01	PRODUCT SPEC: 108-2157	SIZE: A1
2 PLC ± .005	3 PLC ± .005	APPLICATION SPEC: 114-13112	CAGE CODE: 1600606
4 PLC ± .002	ANGLES ± .002	WEIGHT:	RESTRICTED TO:
MATERIAL:		FINISH:	CUSTOMER DRAWING
SCALE: 4:1		SHEET: 2 OF 3	REV: D9

LOC	DIST	REVISIONS					
		P	LTN	DESCRIPTION	DATE	DMN	APVD
ES	00	-	-	SEE SHEET 1	-	-	-

D

PART NUMBER	POWER					
	P6	P5	P4	P3	P2	P1
1600606-7	RM	RM	RM	RM	RM	RM
6ACP						

PART NUMBER	POWER					
	P6	P5	P4	P3	P2	P1
1600606-8	RM	RM	RM	RM	RM	RM
6ACP						

PART NUMBER	POWER			
	P4	P3	P2	P1
1600606-9	RA	RM	RM	RM
4P				


PART NUMBER	POWER						
	P7	P6	P5	P4	P3	P2	P1
1-1600606-0	RM		RM		RM		RA
7P							

PART NUMBER	POWER				
	P5	P4	P3	P2	P1
1-1600606-1	RM	RM	RM	RM	RM
5ACP					

PART NUMBER	POWER	
	P2	P1
1-1600606-2	RM	RA
2P		

PART NUMBER	POWER		
	P3	P2	P1
1-1600606-3	RA	RM	RM
3ACP			

D9

THIS DRAWING IS A CONTROLLED DOCUMENT.		DMN R.GRZYBOWSKI 23JUL2003	
		CHK M.CORRELL 23JUL2003	
DIMENSIONS:	TOLERANCES UNLESS OTHERWISE SPECIFIED:	APVD	NAME
INCHES	0 PLC ± 1 PLC ±.01 2 PLC ±.01 3 PLC ±.005 4 PLC ±.0020 ANGLES ±.2°		PANEL MOUNT CABLE RECEPTACLE HOUSING, WITH GUIDES, MULTI-BEAM XL, ALL POWER
MATERIAL	FINISH	PRODUCT SPEC	RESTRICTED TO
		108-2157	A100779C=1600606
		APPLICATION SPEC	SCALE 4:1 SHEET 3 OF 3 REV D9
		114-13112	
		WEIGHT	
		CUSTOMER DRAWING	